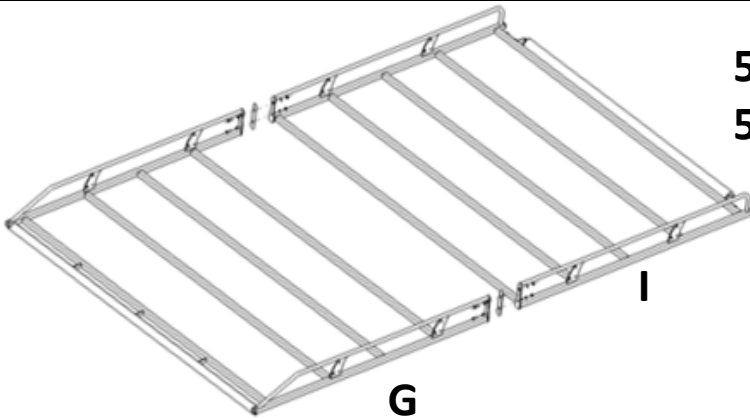


54216970001 - 54217870001 - 54217970001
54208970001 - 54209070001 - 54218070001
54216970051 - 54217870051 - 54217970051
54208970051 - 54209070051 - 54218070051



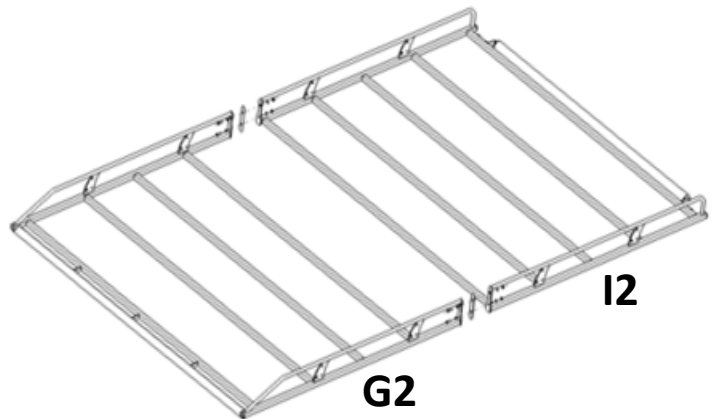
IVECO DAILY 05/1999 >



54216970001

54216970051

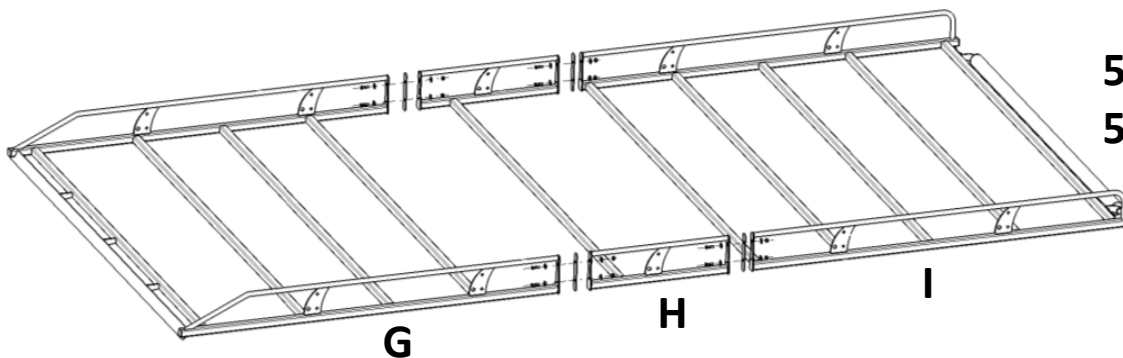
L1 H1



54218070001

54218070051

L1 H2



54217970001

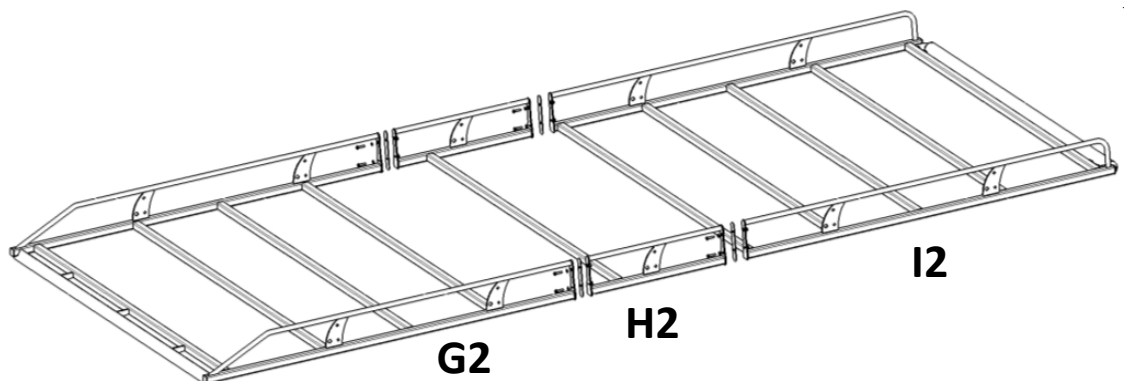
54217970051

L2 H1

54208970001

54208970051

L3 H2



G2

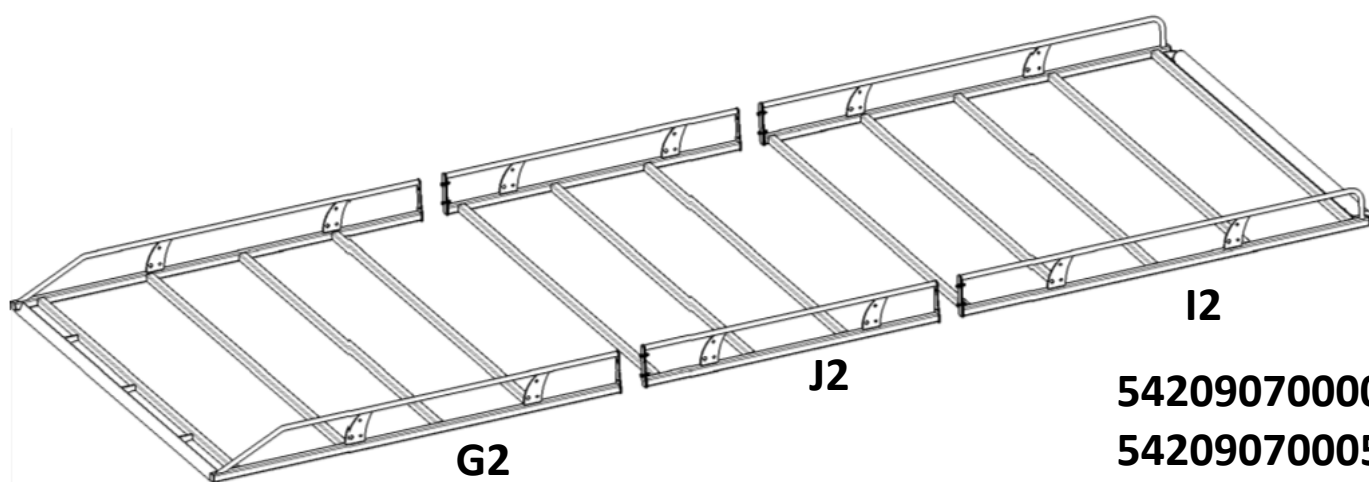
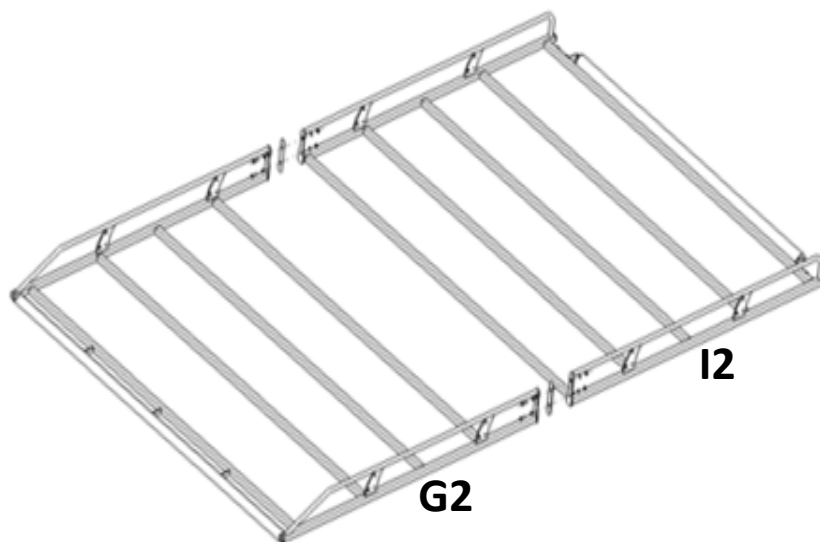
H2

I2

542178700001

542178700051

L2 H2



542090700001

542090700051

L4 H2

G + I = 500002702003

G2 + I2 = 500002703003

J1 = 500001702006

J2 = 500001701006

H1 = 500001701005

H2 = 500001701006





L1H1 = 200 Kg
L1H2 = 100 Kg
L2H1 = 100 Kg
L2H2 = 190 Kg
L3H2 = 90 Kg
L4H2 = 75 Kg

D HM 8 x 20 Cl 8.8 20 Nm
 CS 8 x 22

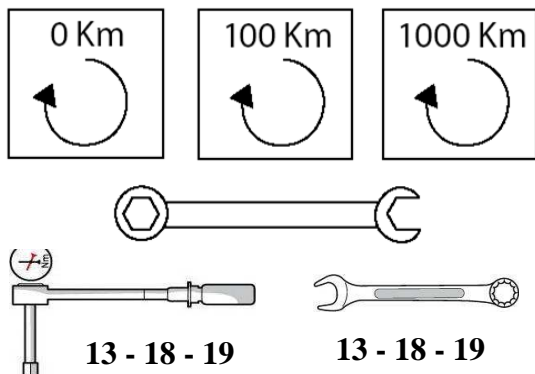
C HM 12 x 50 Cl 8.8 81 Nm
 CS 12
 M12 Cl 8
 45 x 40 x 10

B HM 8 x 20 Cl 8.8 20 Nm
 L 8 x 18

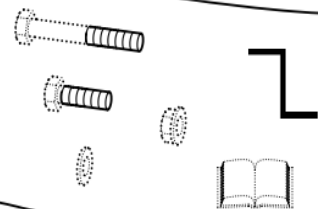
F HM 8 x 60 Cl 8.8 23 Nm
 CS 8 x 22

Z HM 8 x 20 Cl 8.8 20 Nm
 L 8 x 18

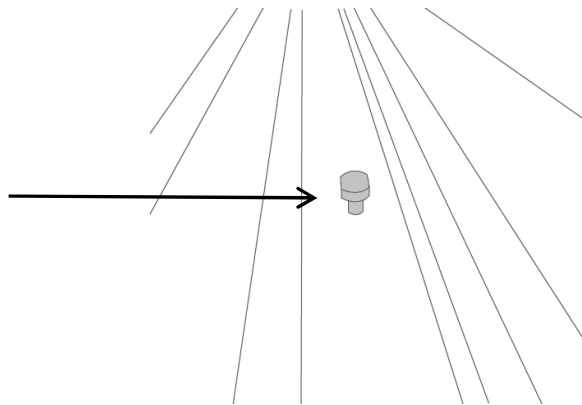
X HM 6 x 25 Cl 8.8 9 Nm
 L 6 x 18
 M6 Cl 8





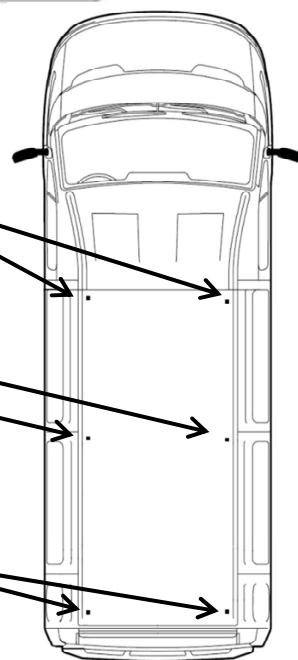
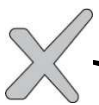
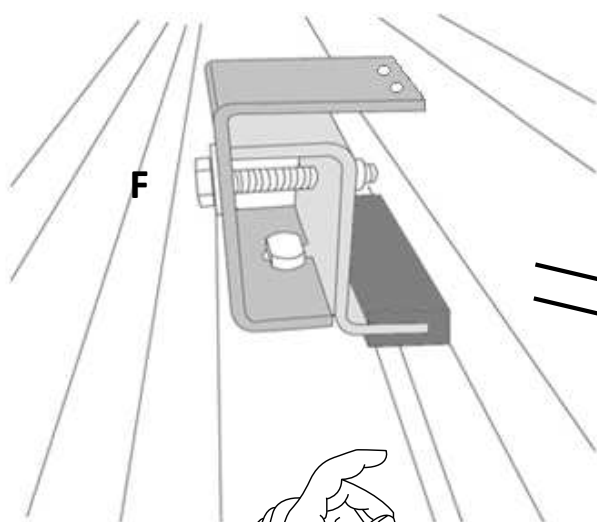
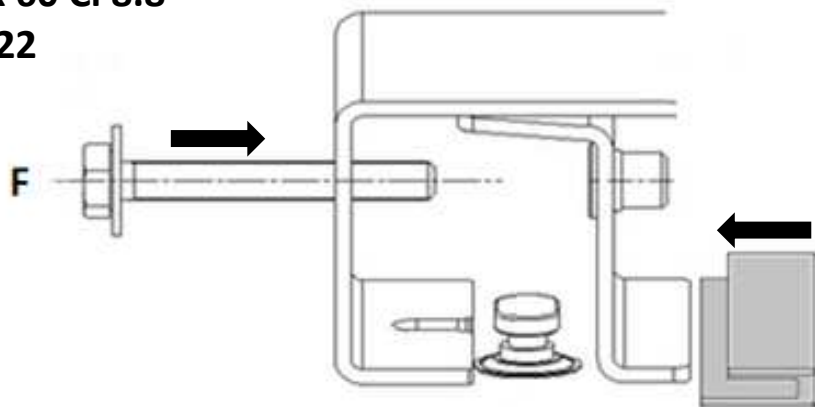
542169700002 - 542178700002
 542179700002 - 542089700002
 542790700002 - 542180700002



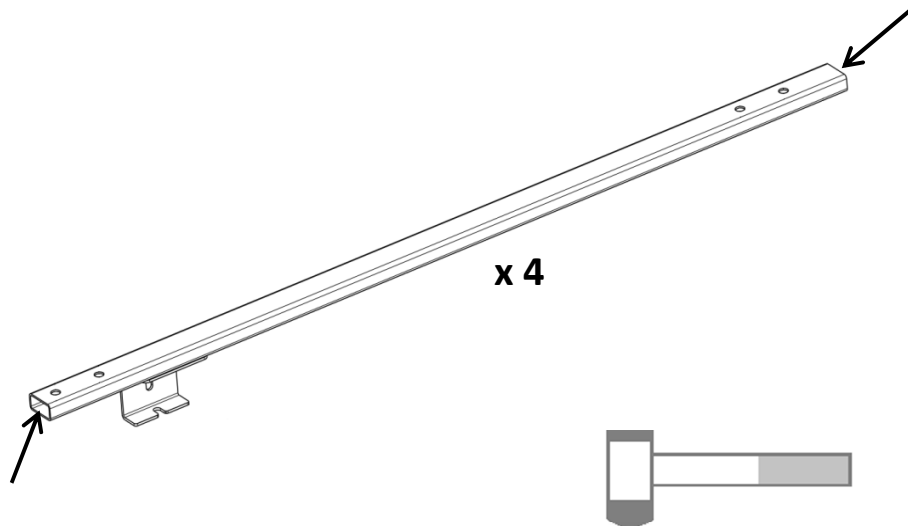
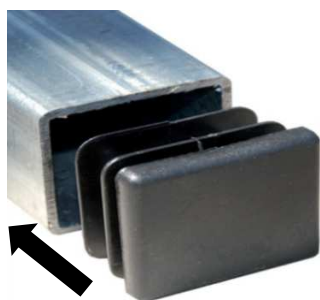
1

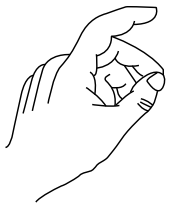
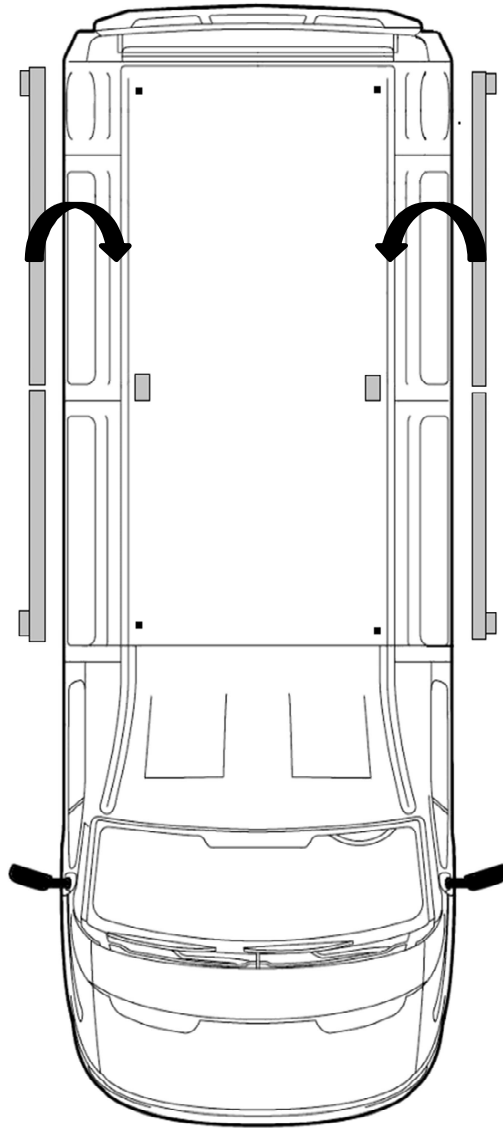


F  HM 8 x 60 Cl 8.8
 CS 8 x 22

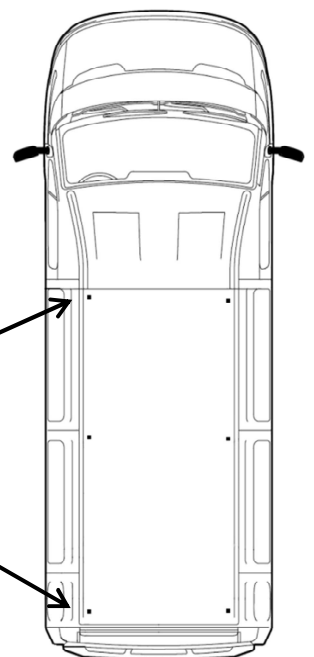
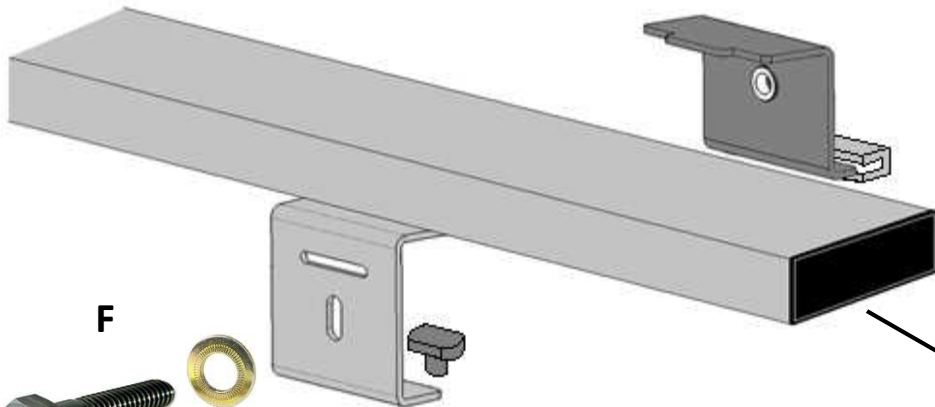


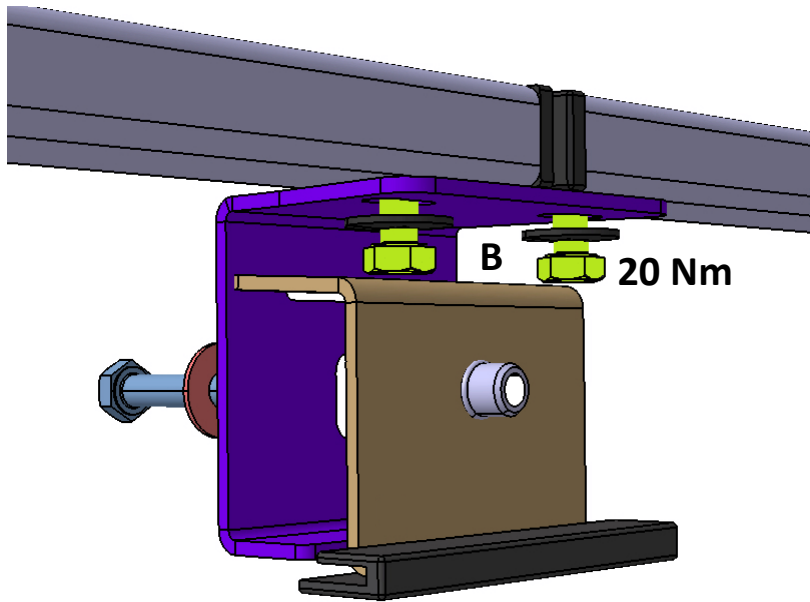
2





F HM 8 x 60 Cl 8.8
CS 8 x 22

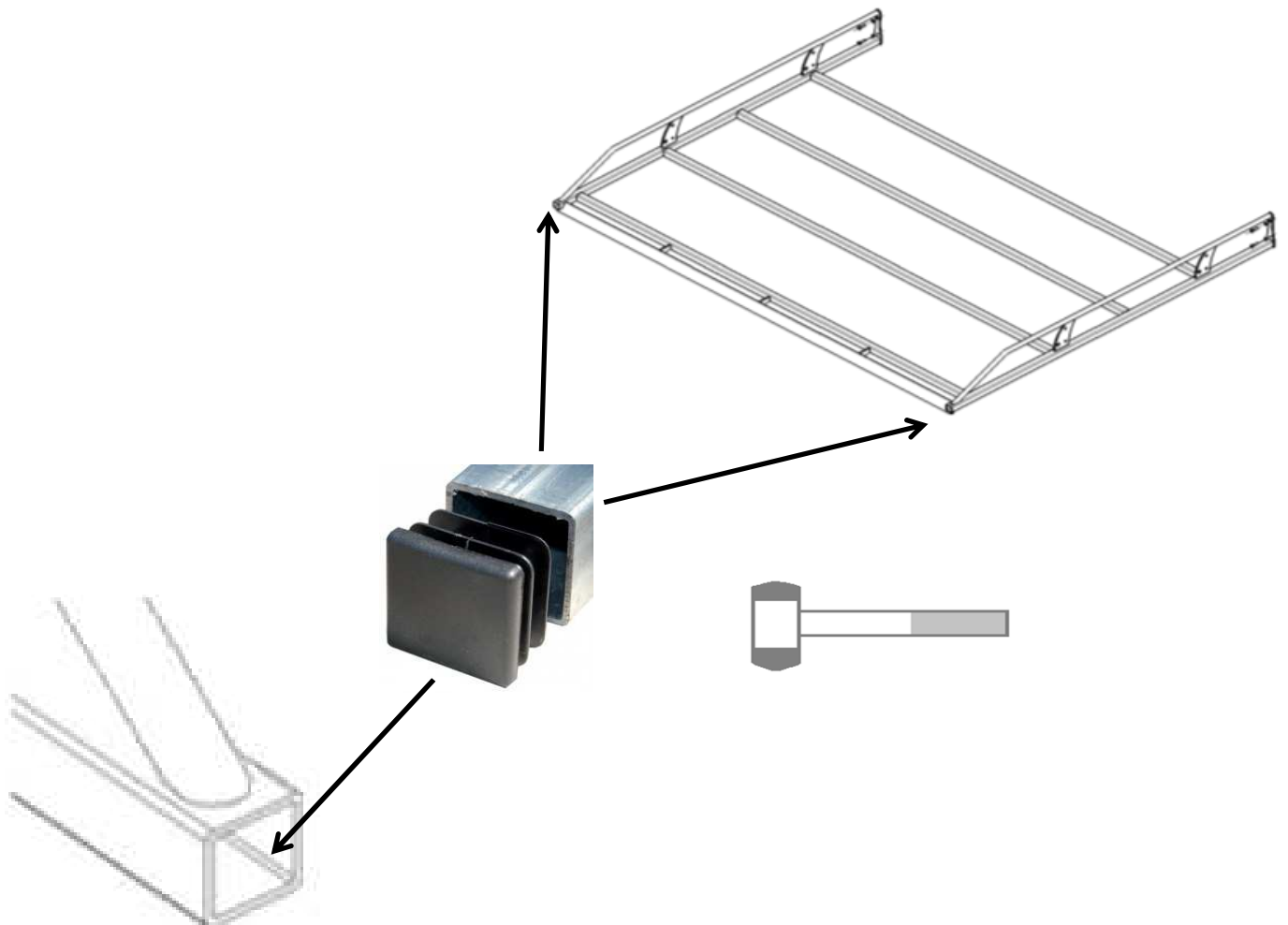




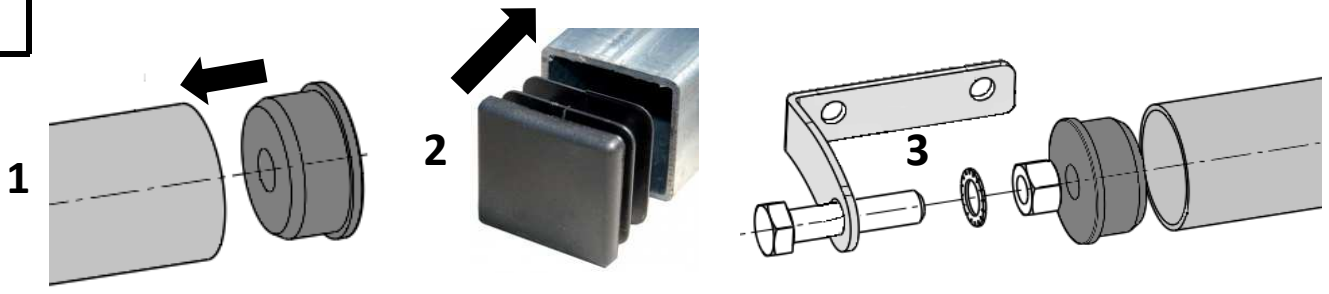
13 20 Nm

- B**
- 4 HM 8 x 20 Cl 8.8 20 Nm
 - 4 CS 8 x 22

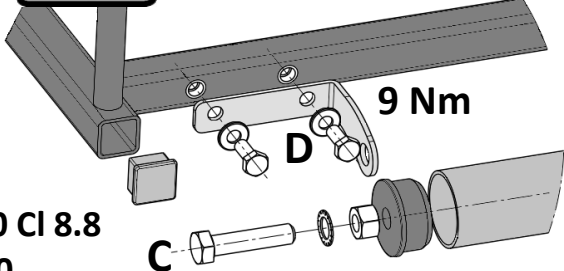
3



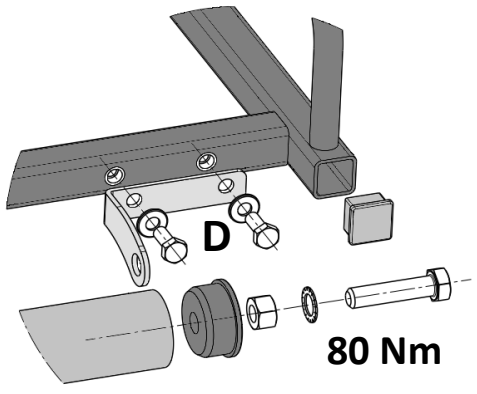
4



H1



9 Nm



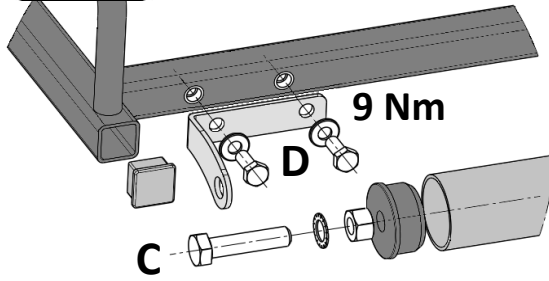
80 Nm

- C**
- 2 HM 12 x 50 Cl 8.8
 - 2 DEC 12 x 20
 - 2 M12 Cl 8
 - 45 x 40 x 10

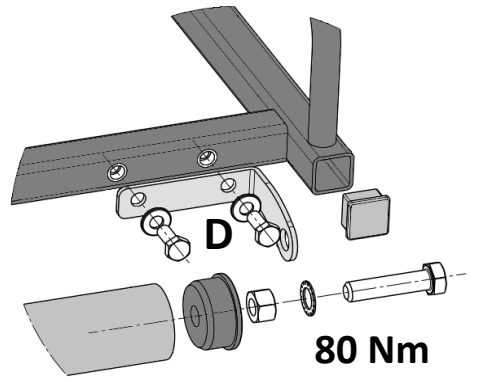
- D**
- 4 HM 8 x 20 Cl 8,8
 - 4 CS 8 x 22



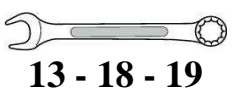
H2



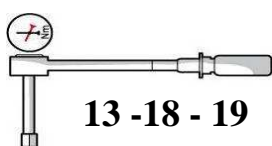
9 Nm



80 Nm



13 - 18 - 19



13-18-19

5

