



westfalia
AUTOMOTIVE



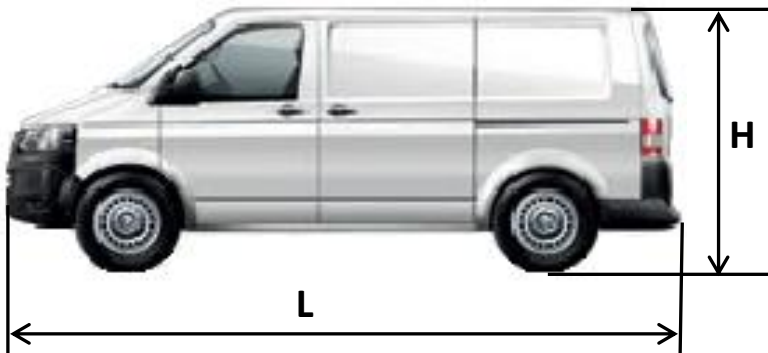
siarr
WESTFALIA AUTOMOTIVE

521650700001 - 521651700001

521650700051 - 521651700051



VW TRANSPORTER T5 05/2003 >
VW TRANSPORTER T6 2015 >



T5 : L1 = 4890

L2 = 5290

H1 = 1944

T6 : L1 = 5006

L2 = 5406

H1 = 1990

L1 H1

**521650700001 = 500001701003 + 500001701004 +
500001702004 + 521650700002**

**521650700051 = 500001701053 + 500001701054 +
500001702054 + 521650700052**

L2 H1

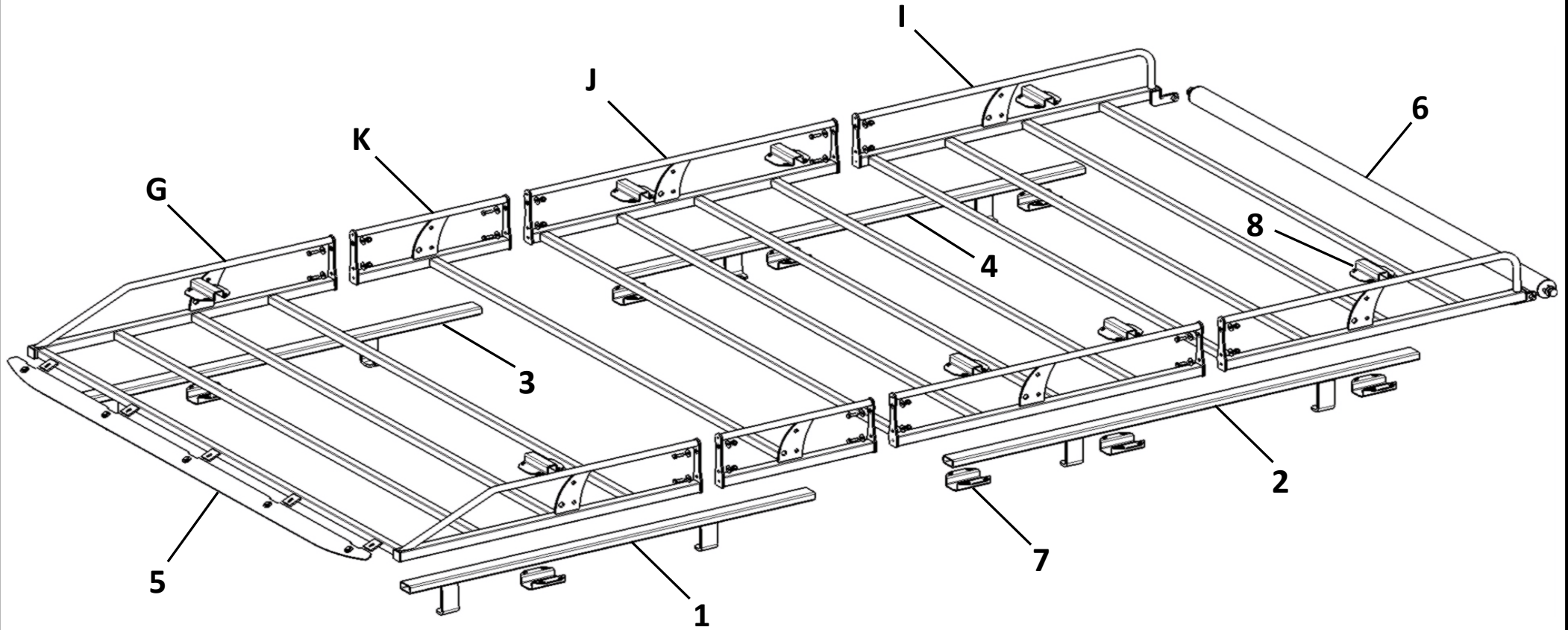
**521651700001 = 500001701003 + 500001702004 +
500001702004 + 521651700002**

**521651700051 = 500001701053 + 500001702054 +
500001702054 + 521651700052**

~~**H2 H3**~~

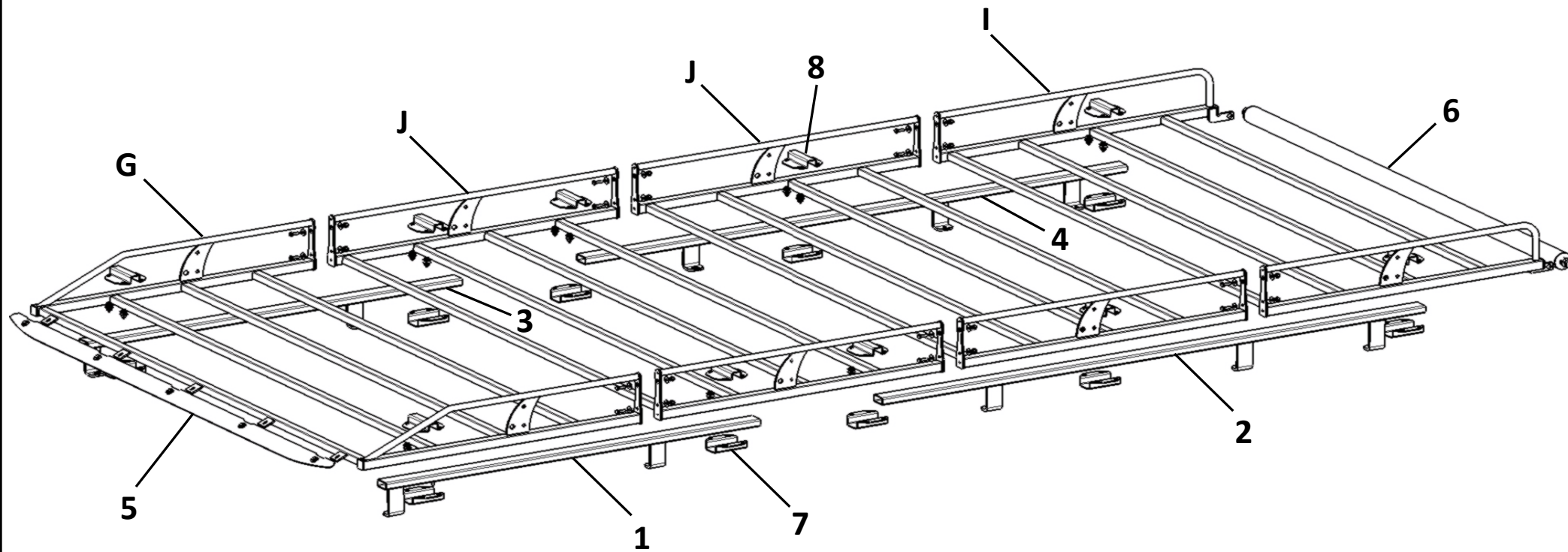
52165070001

52165070051

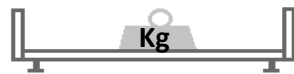
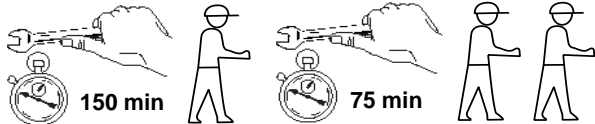
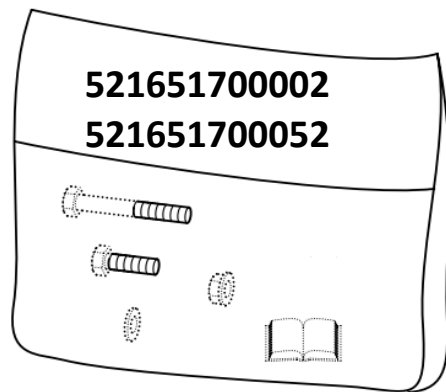
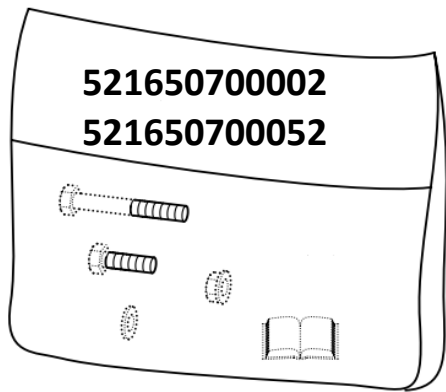


G + I =	500001701003
	500001701053
J =	500001702004
	500001702054
K =	500001701004
	500001701054

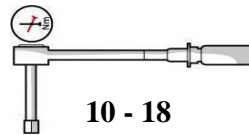
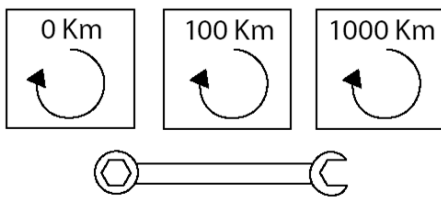
52165170001
52165170051



G + I = 50001701003
50001701053
J = 50001702004
50001702054



L1H1 = 108 Kg
L2H1 = 101 Kg



X

- HM 6 x 20 Cl 8.8 8Nm
- L 6 x 18 x 1,2
- M6 Cl 8
-

V

- HM 6 x 20 Cl 8.8 8Nm
- L 6 x 18 x 1,2
- M6 Cl 8

Y

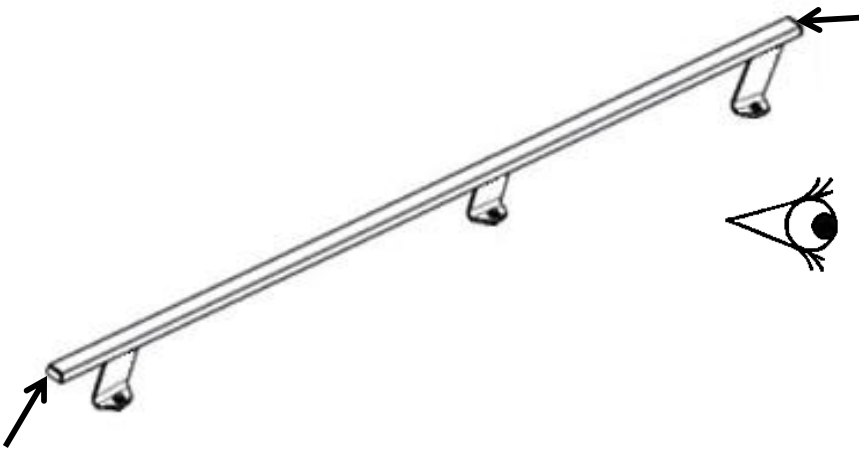
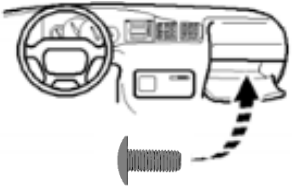
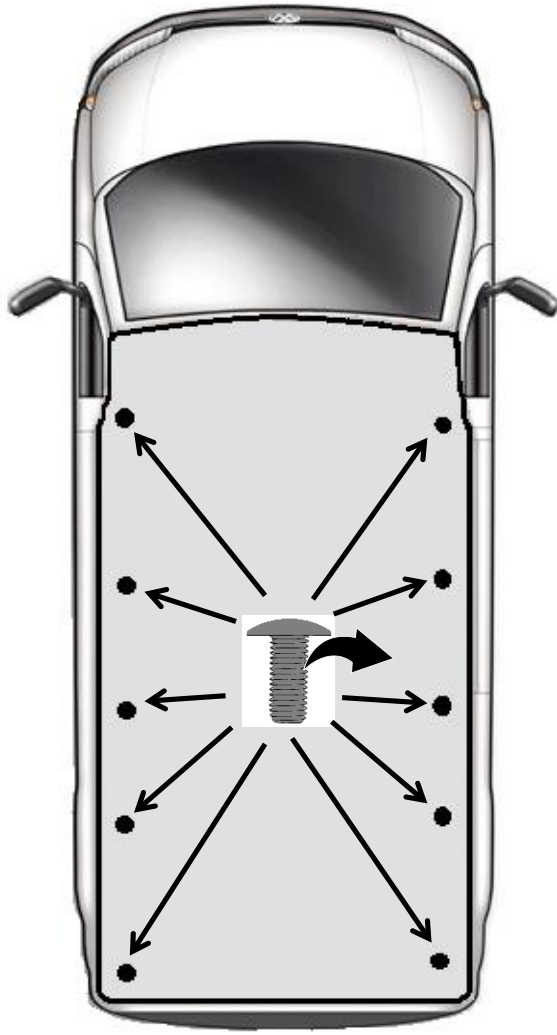
- HM 6 x 20 Cl 8.8 8 Nm
- CS 6
- 20 x 6 x 3

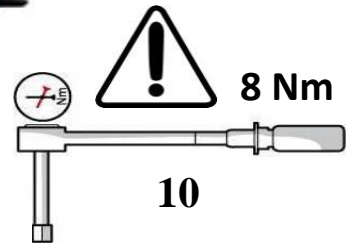
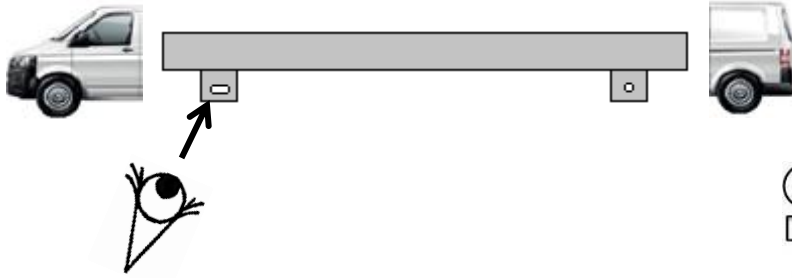
W

- HM 12 x 50 Cl 8.8 81 Nm
- CS 12
- M12 Cl 8
- 45 x 40 x 10

Z

- HM 6 x 20 Cl 8.8 8Nm
- L 6 x 18 x 1,2
- M6 Cl 8



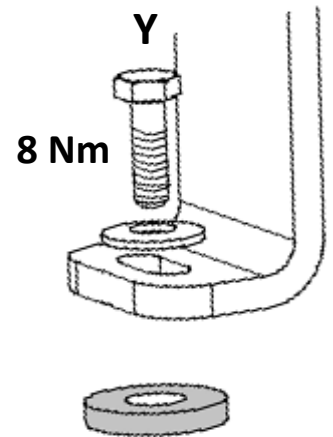
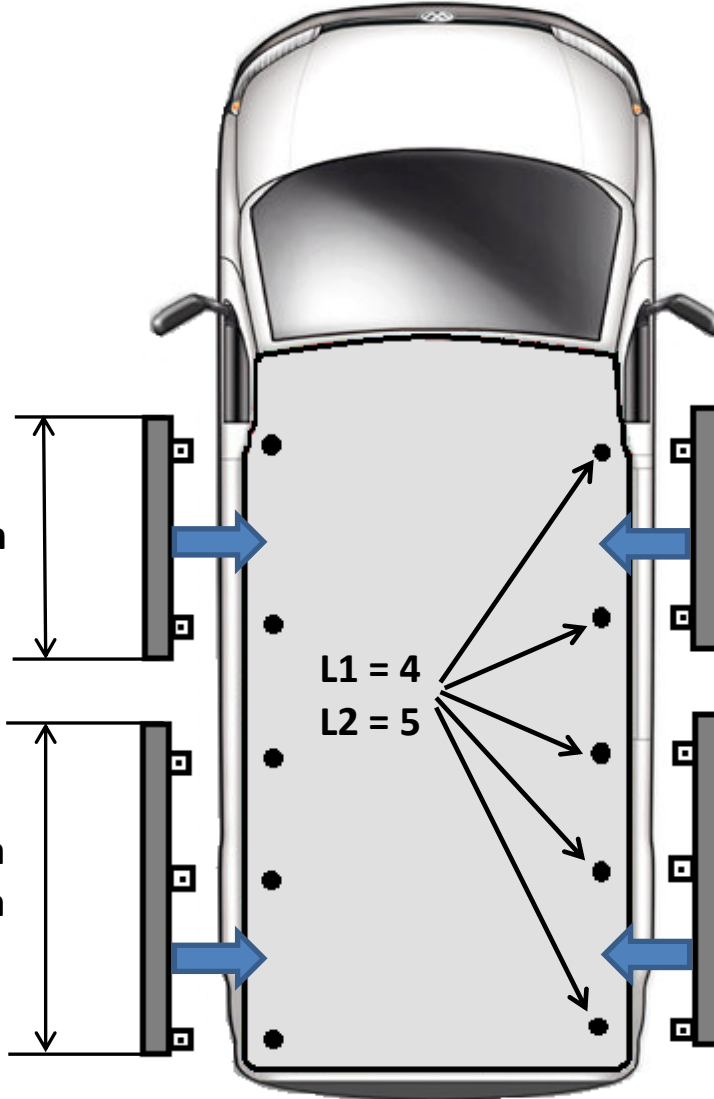


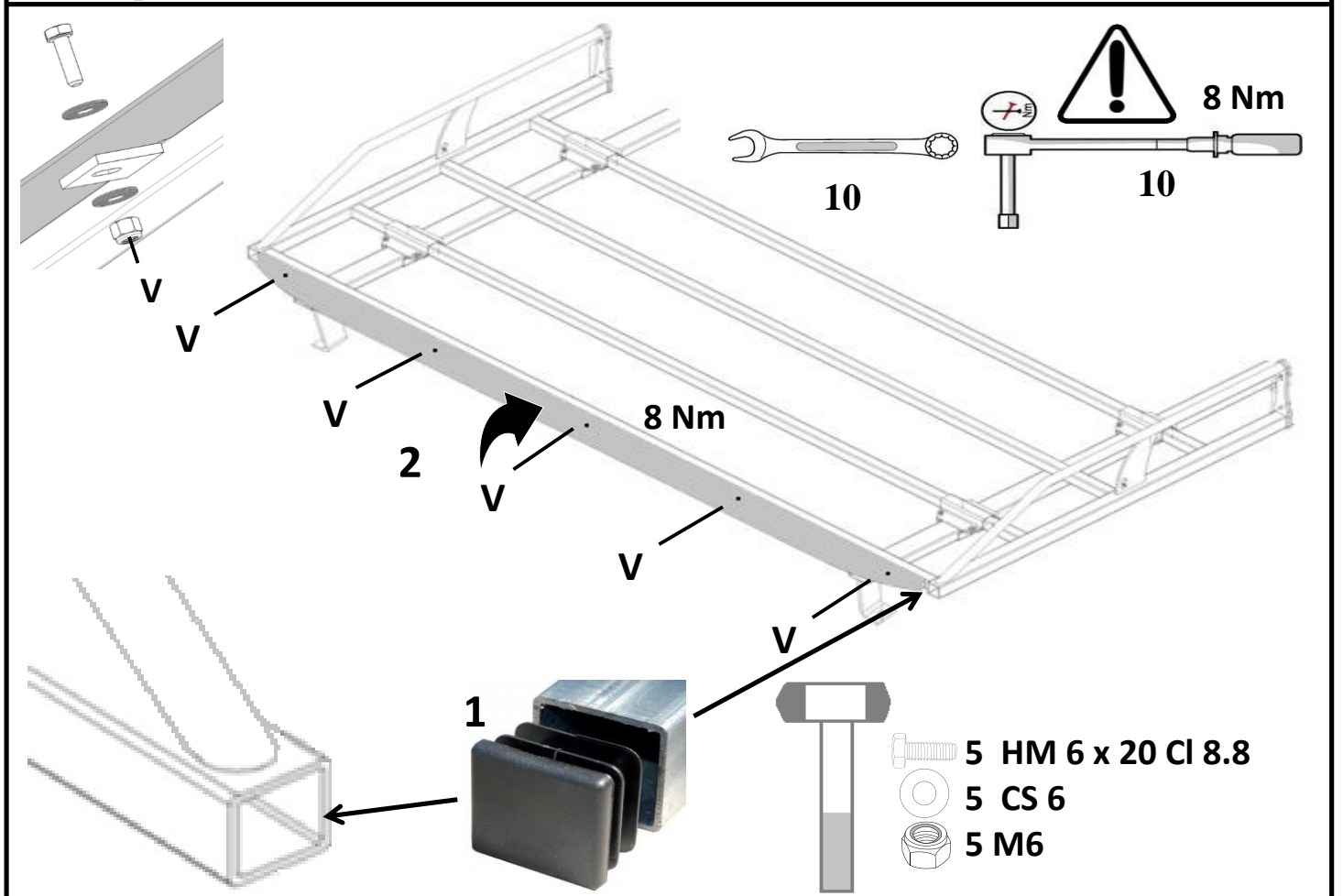
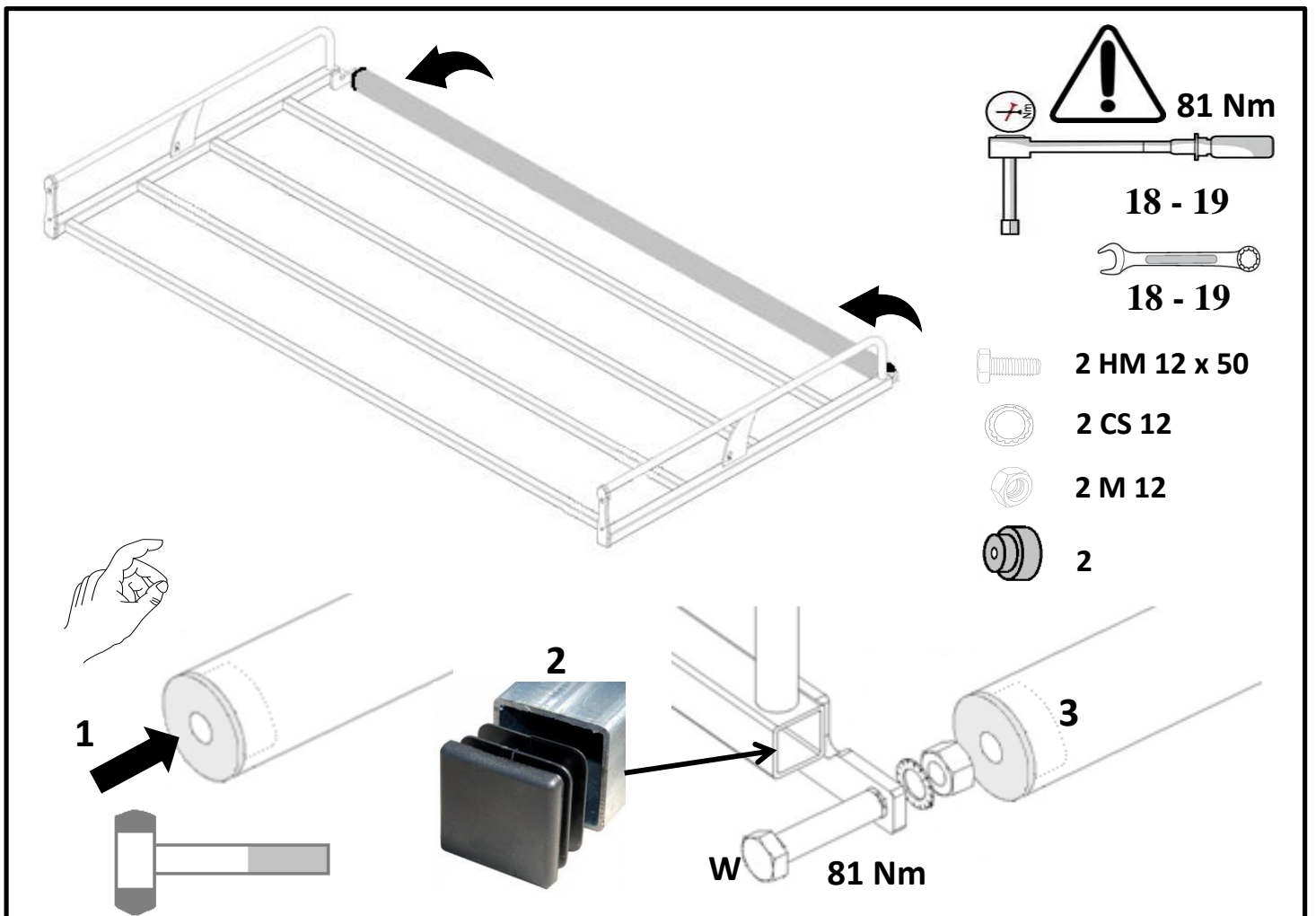
HM 6 x 20 Cl 8.8
CS6
20 x 6 x 3

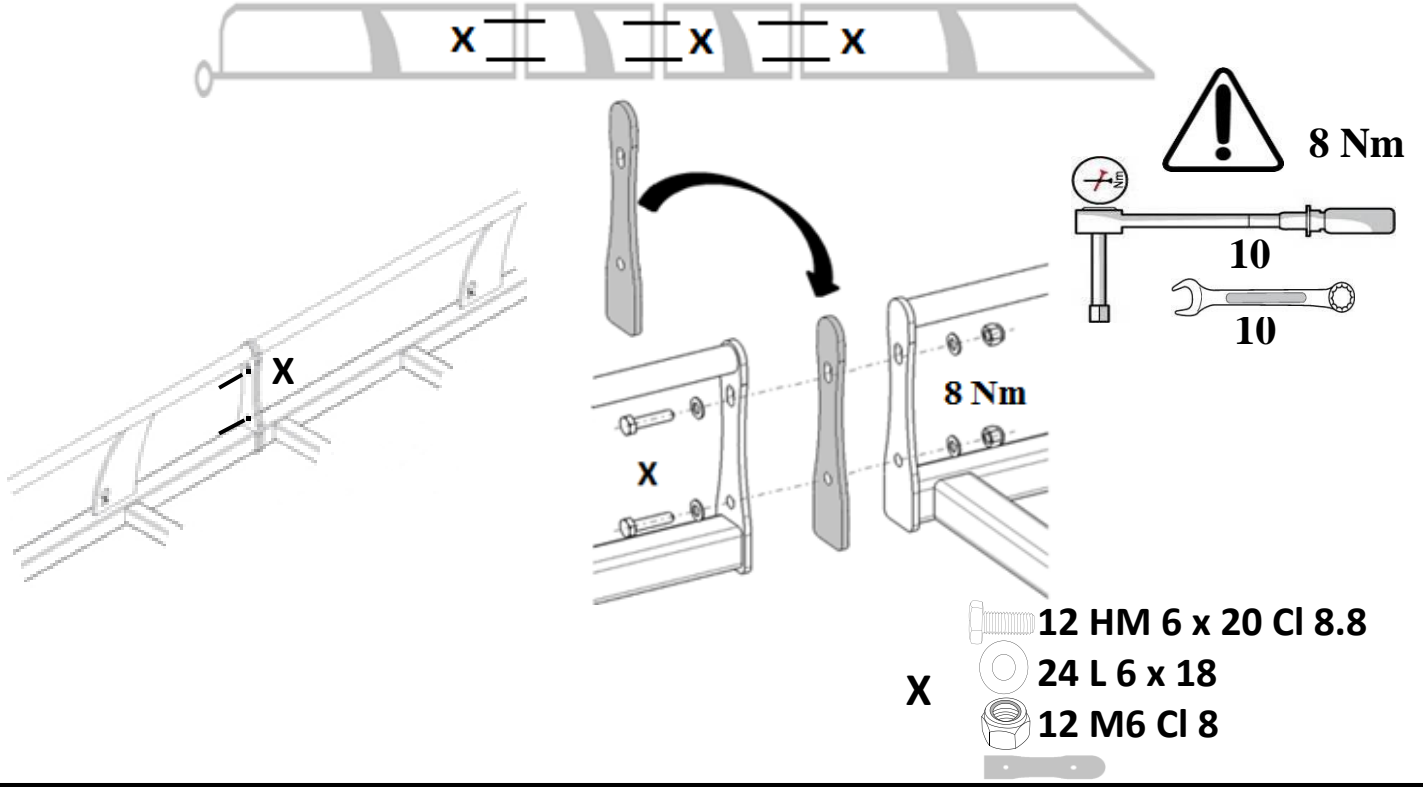
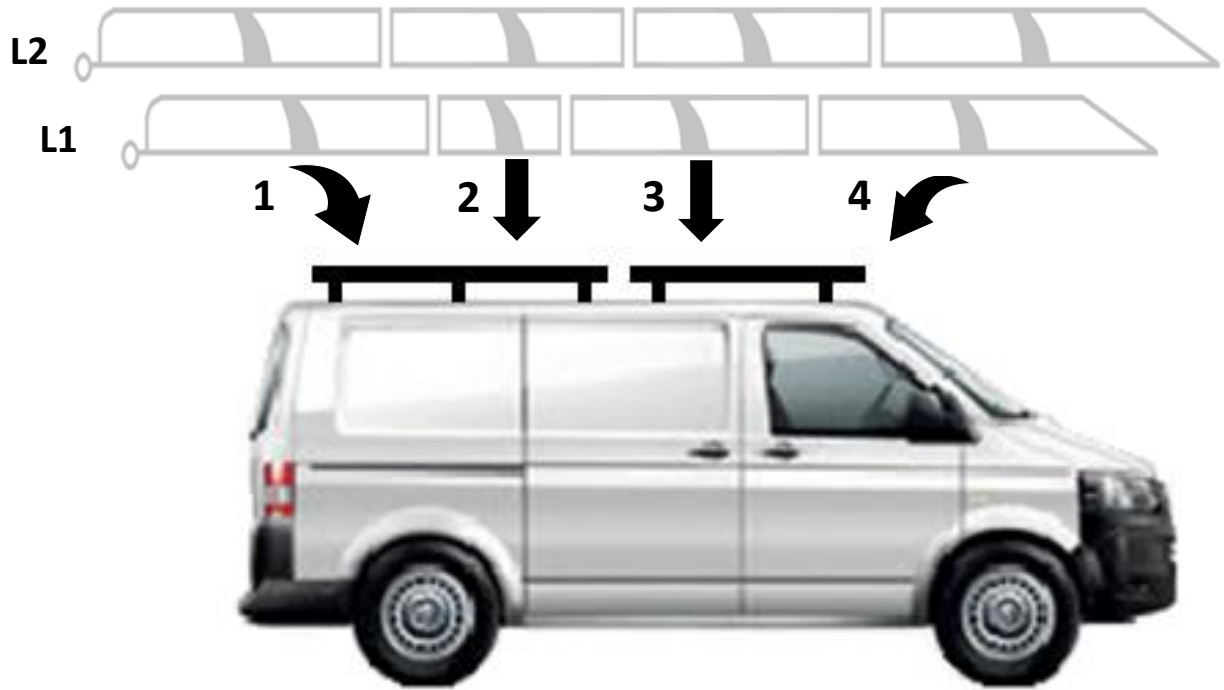
L1 L2 = 1000 mm

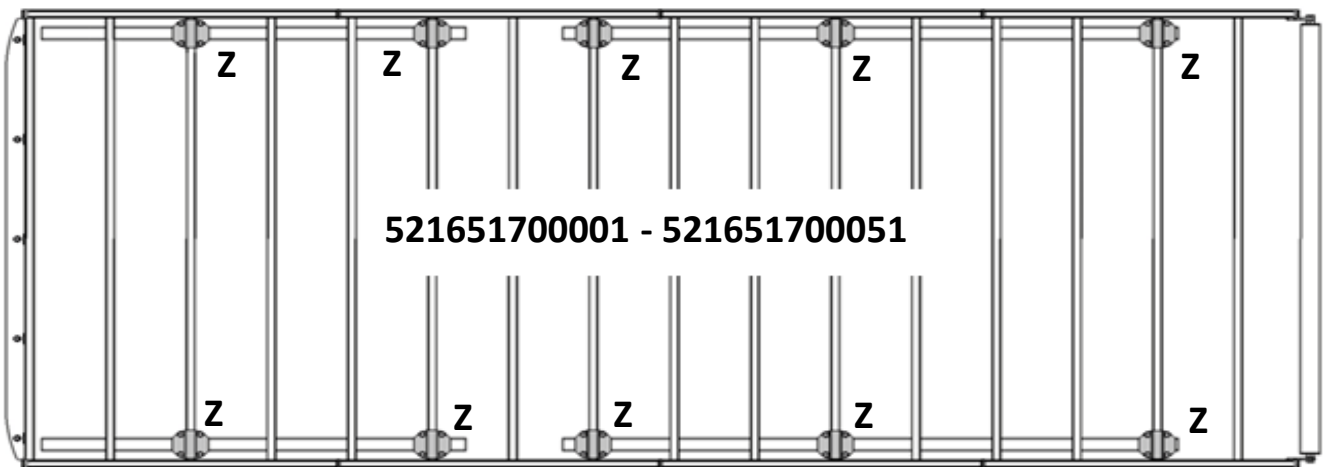
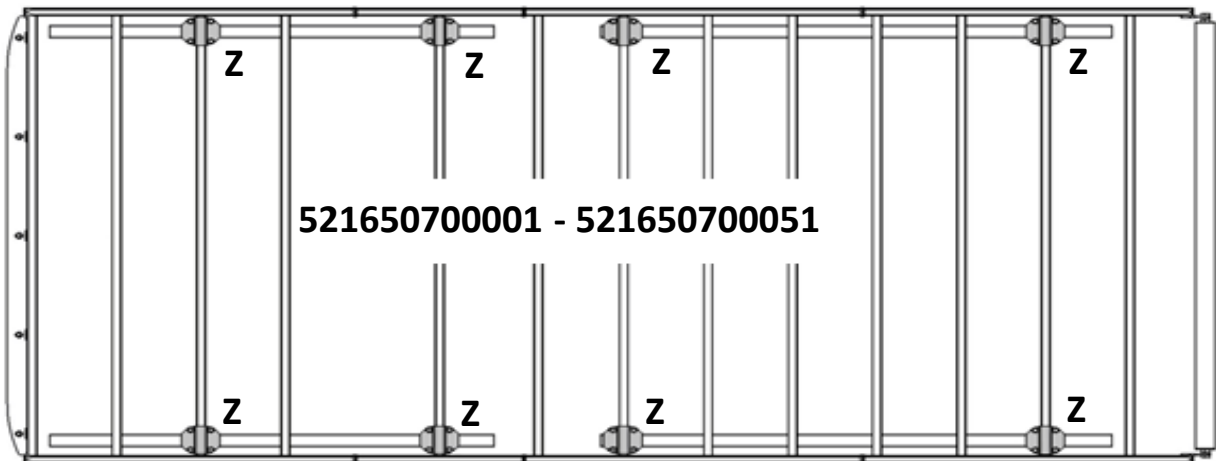
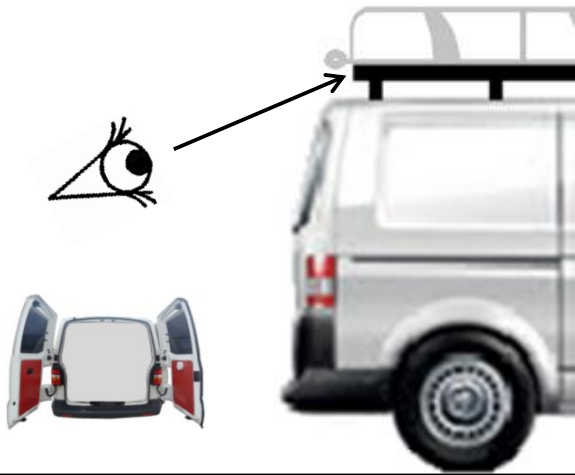


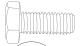


L1 = 1200 mm
L2 = 1500 mm

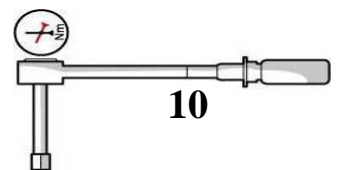
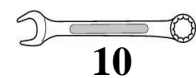
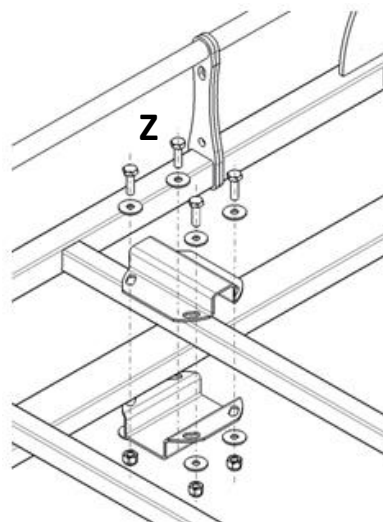








- Z**  **HM 6 x 20 Cl 8.8**
-  **L 6 x 18**
-  **M6**



8 Nm