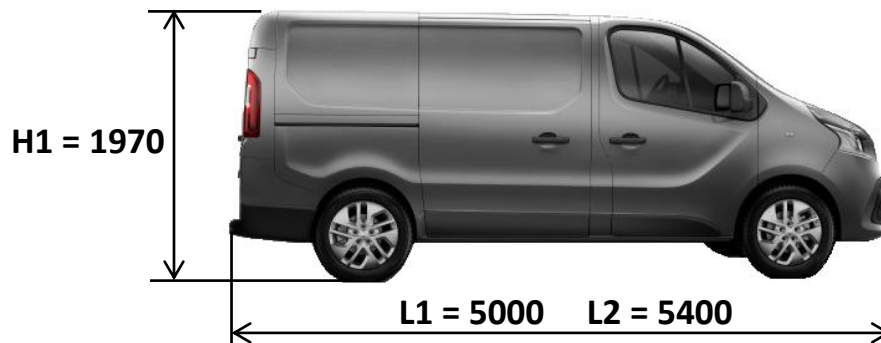


516511700001 - 516511700051
516512700001 - 516512700051



RENAULT TRAFIC III 10/2014 > OPEL VIVARO II 10/2014 >



L1 H1

**516511700001 = 500001701003 + 500001701004 +
500001702004 + 516511700002**
**516511700051 = 500001701053 + 500001701054 +
500001702054 + 516511700052**

L2 H1

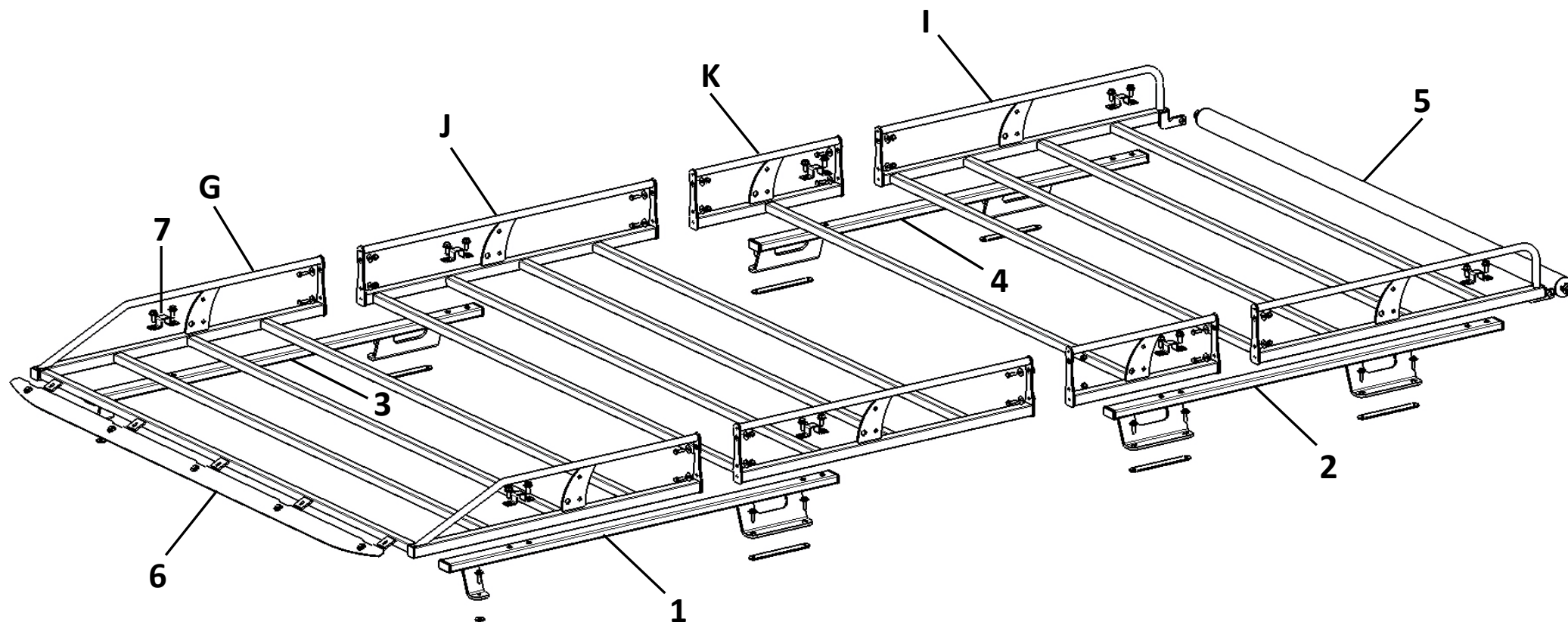
**516512700001 = 500001701003 + 500001702004 +
500001702004 + 516512700002**
**516512700051 = 500001701053 + 500001702054 +
500001702054 + 516512700052**

~~**L1 H2 - L2 H2**~~

51651170001

51651170051

L1 H1

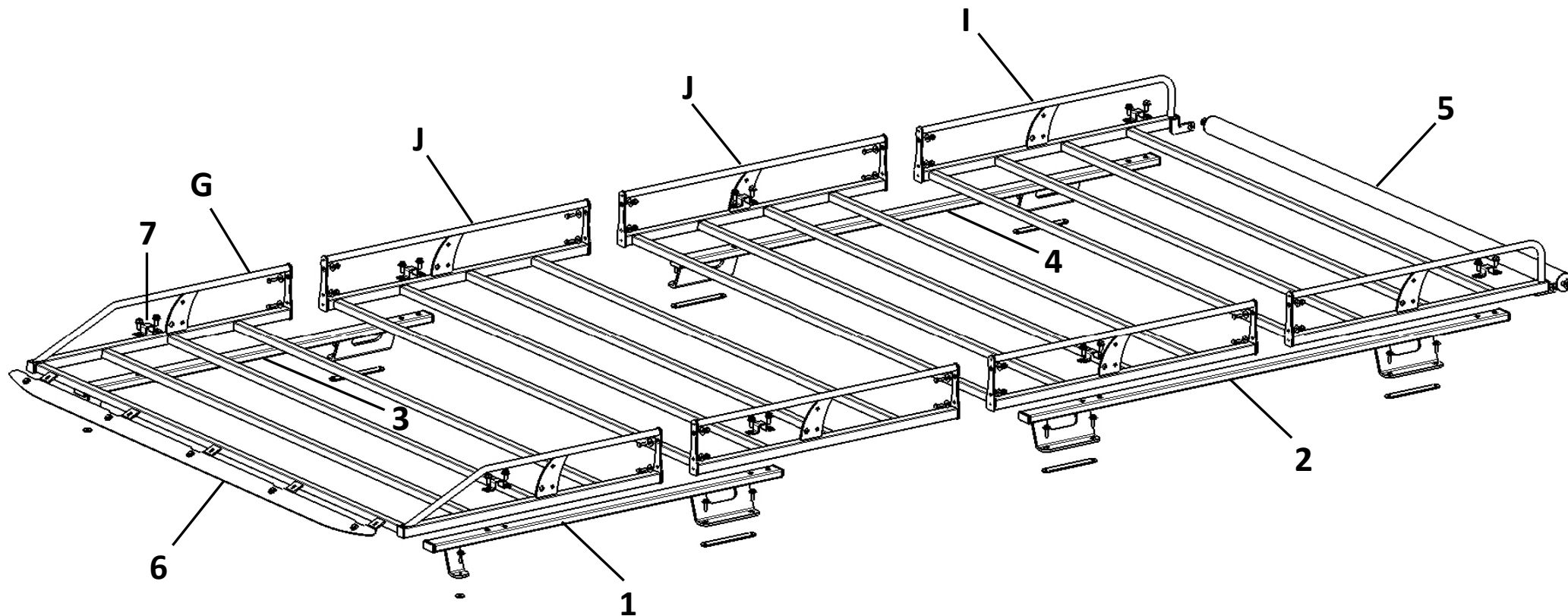


G + I = 500001701003
500001701053
J = 500001702004
500001702054
K = 500001701004
500001701054

51651270001

51651270051

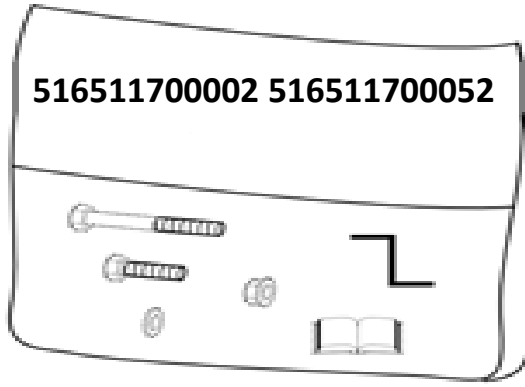
L2 H1



G + I = 500001701003
500001701053

J = 500001702004
500001702054

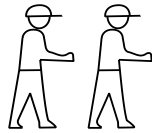
516511700002 516511700052



75 min



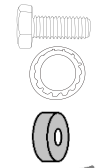
45 min



L1 = 150 Kg

L2 = 150 Kg

Y



HM 6 x 25 Cl 8.8 8 Nm

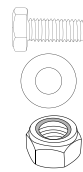
CS 6

20 x 6 x 3



20 x 154 x 3

V

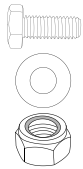


HM 6 x 20 Cl 8.8 8 Nm

L 6 x 16

M6 Cl 8

X



HM 6 x 20 Cl 8.8 8 Nm

L 6 x 16

M6 Cl 8



Z



HM 8 x 20 Cl 8.8 20 Nm

CS 8

20 mm

W



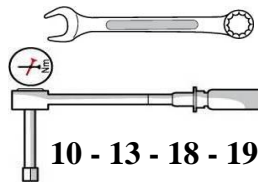
HM 12 x 50 Cl 8.8 80 Nm

CS 12

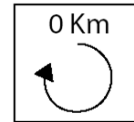
M12 Cl 8



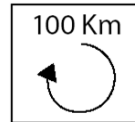
45 x 40 x 10



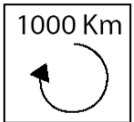
10 - 13 - 18 - 19



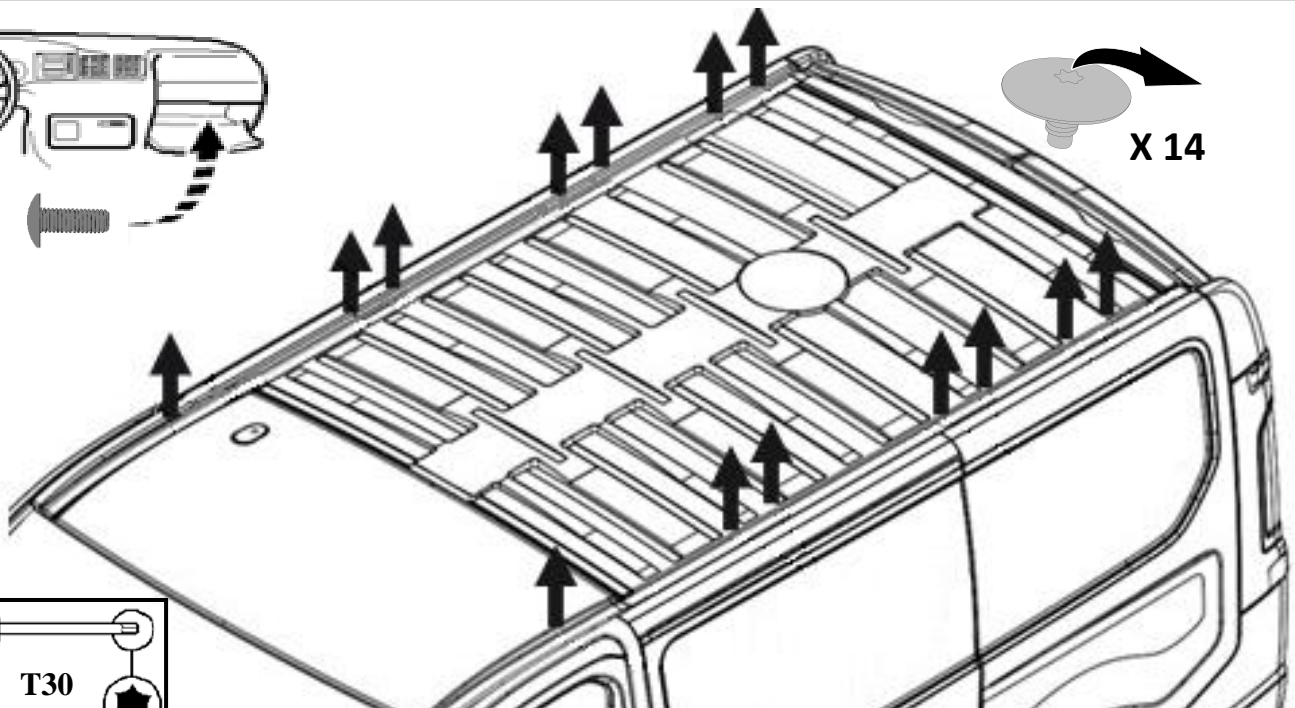
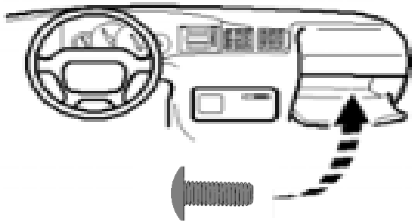
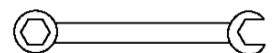
0 Km



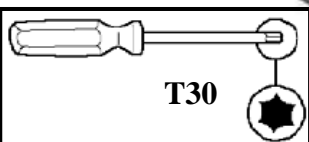
100 Km



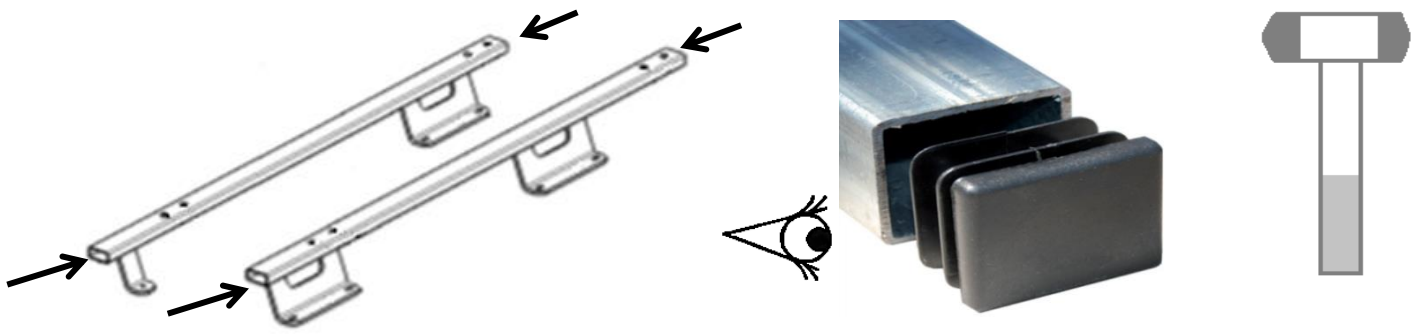
1000 Km





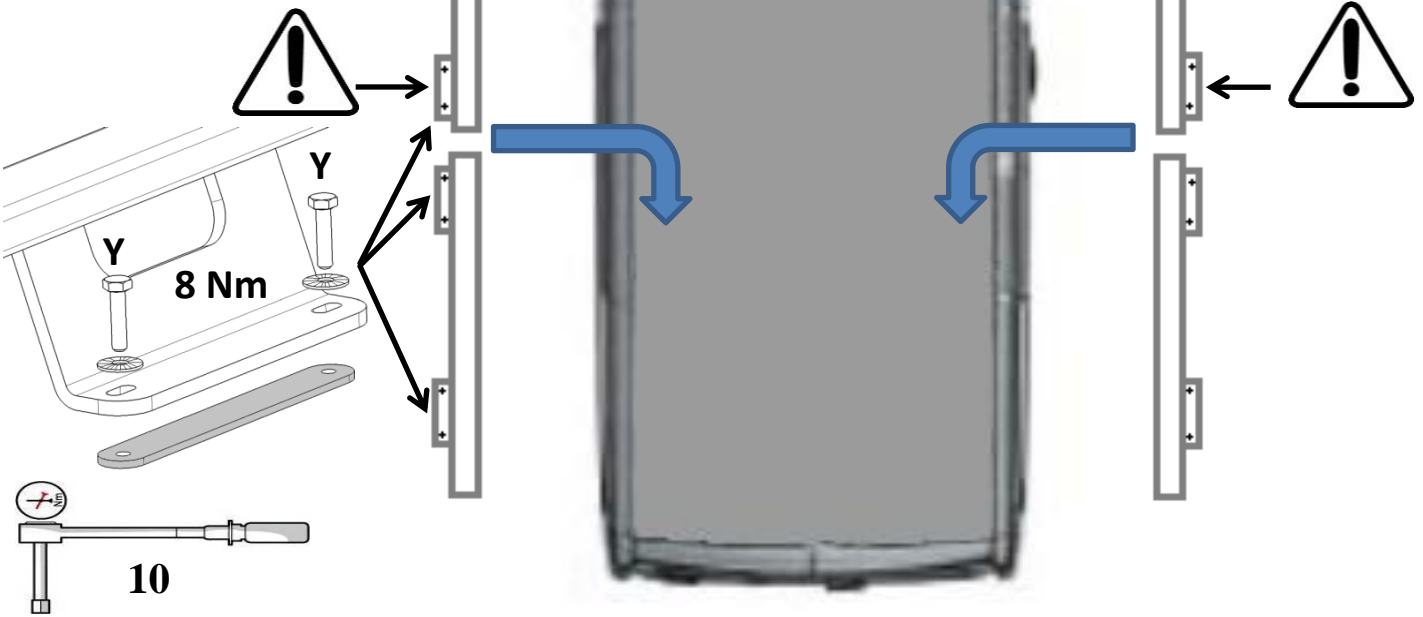
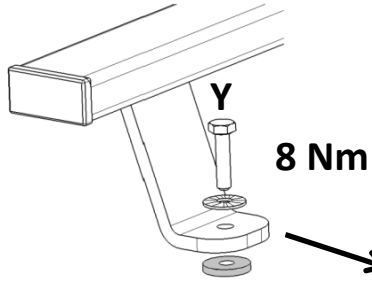
X 14

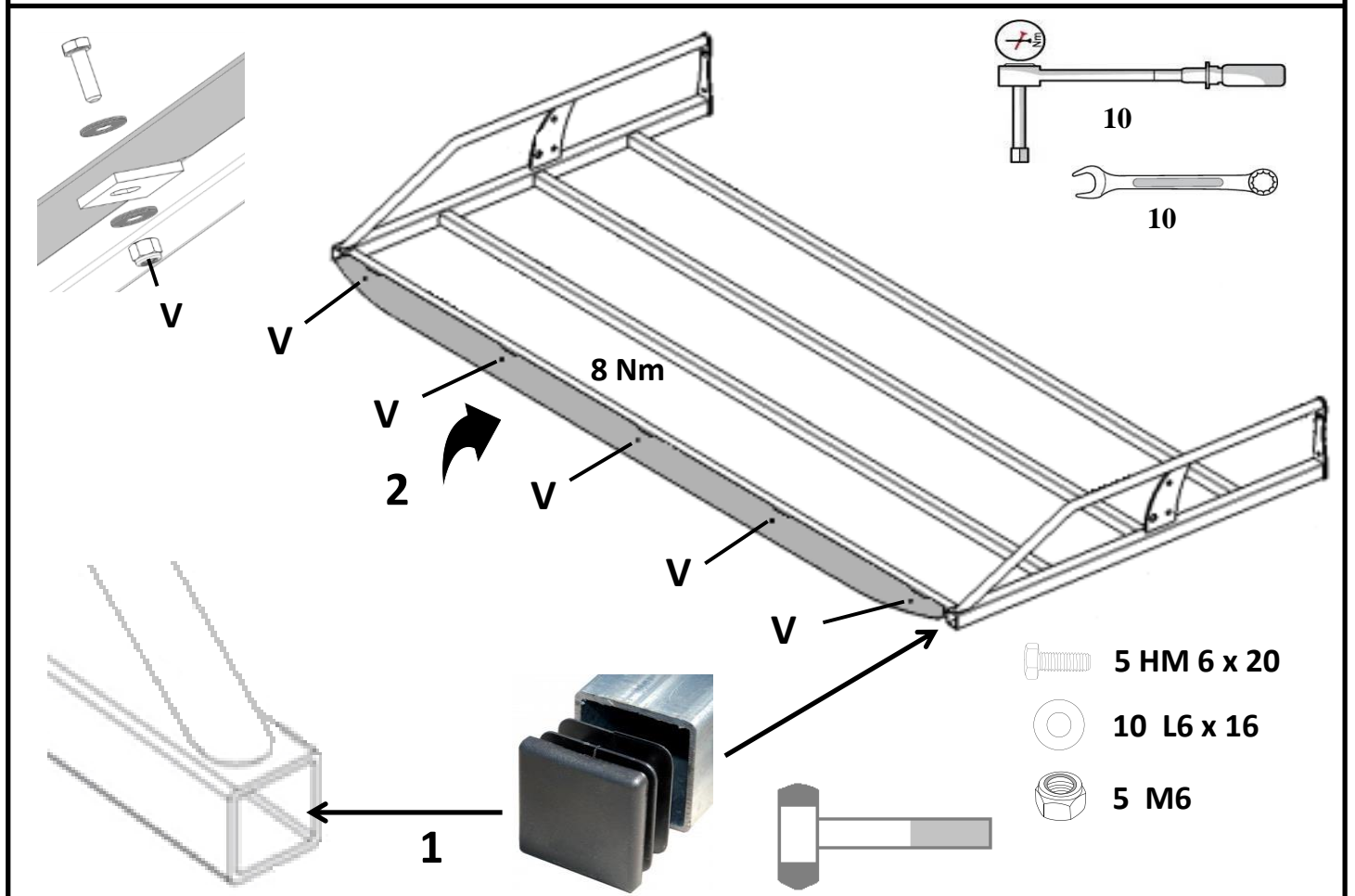
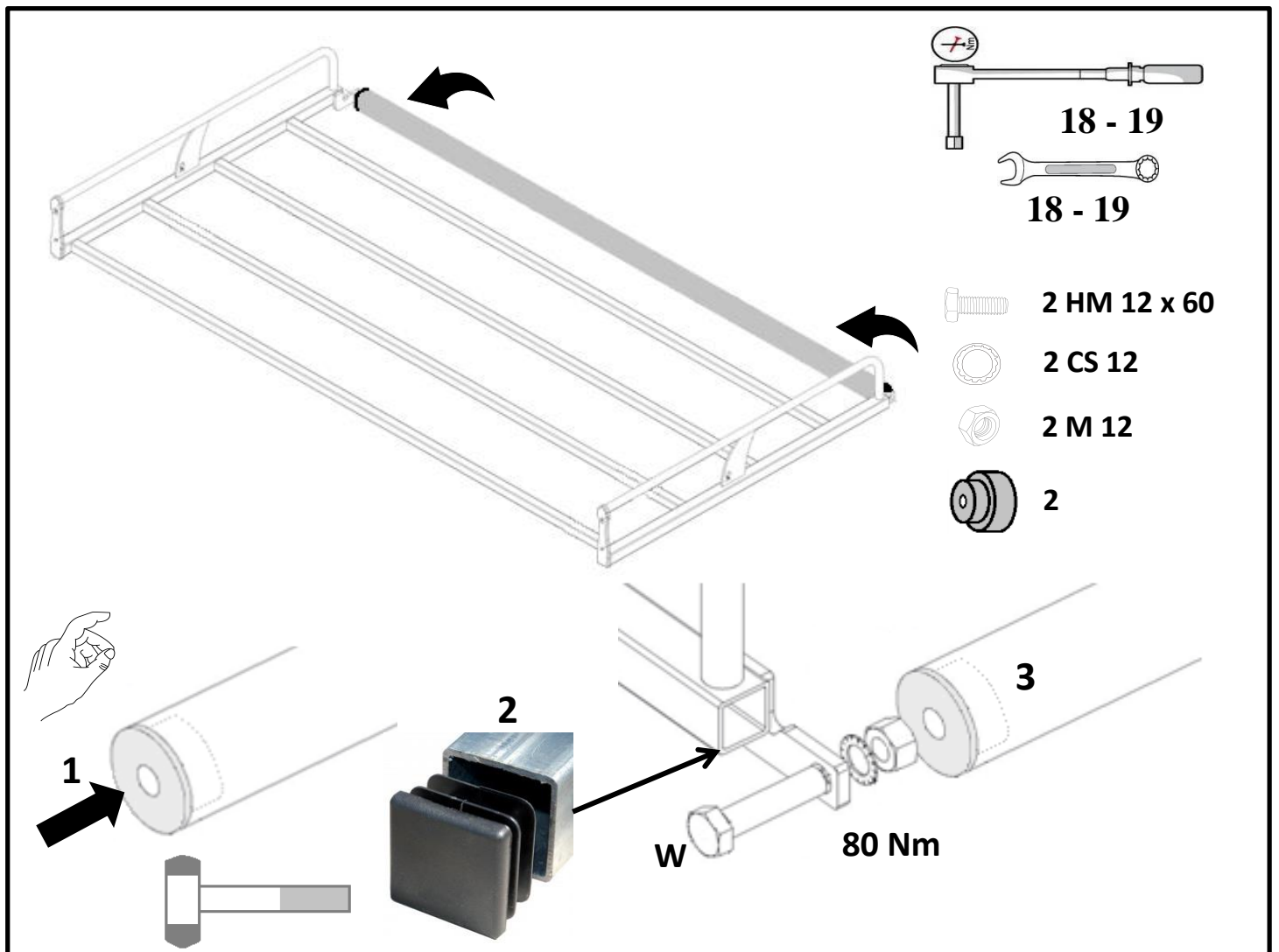


T30



-  14 HM 6 x 25
-  14 CS 6





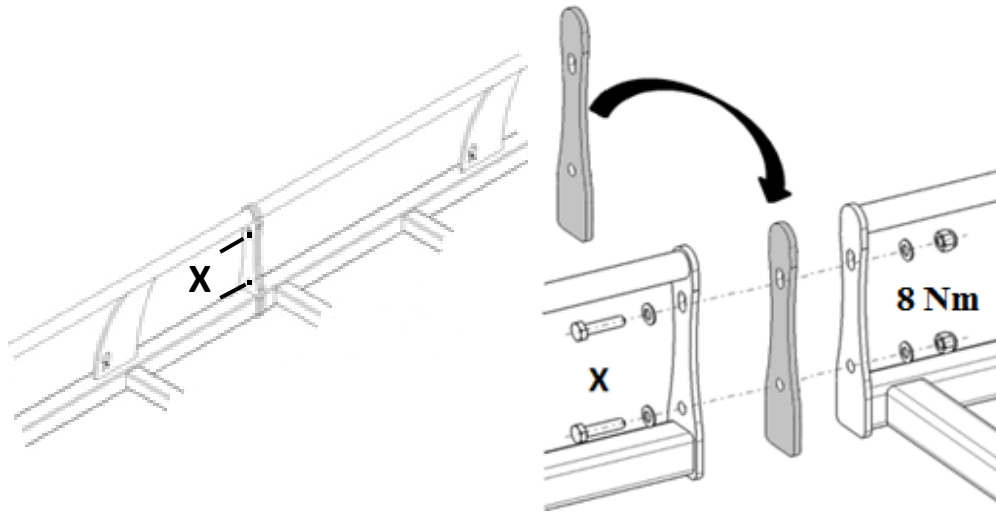
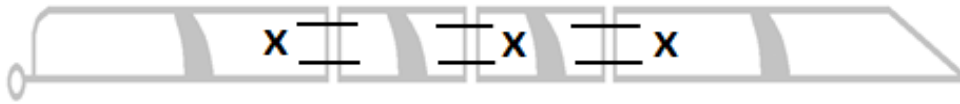
L2


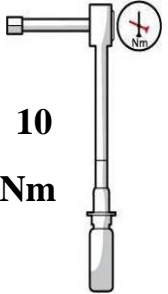





L1



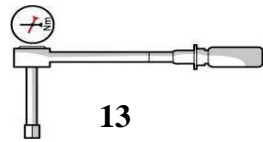
1 2 3 4



-  10
-  8 Nm
-  12 HM 6 x 20
-  24 L 6 x 16
-  12 M6



16 HM 8 x 20
16 CS 8



20 Nm

