



516319700001

516319700051

516330700001

516330700051



516331700001

516331700051

516332700001

516332700051



RENAULT MASTER 3 - OPEL MOVANO 2 - NISSAN NV400 02/2010 >



L1 H1 + L1 H2

516319700001 = 500002702003 + 516319700002

516319700051 = 500002702053 + 516319700052

L2 H2

516330700001 = 500002702003 + 500002702005 + 516330700002

516330700051 = 500002702053 + 500002702055 + 516330700052

L3 H2

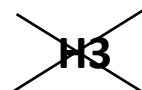
516331700001 = 500002702003 + 500002701006 + 516331700002

516331700051 = 500002702053 + 500002701056 + 516331700052

L4 H2

516332700001 = 500002702003 + 500002702005 + 500002701006 + 516332700002

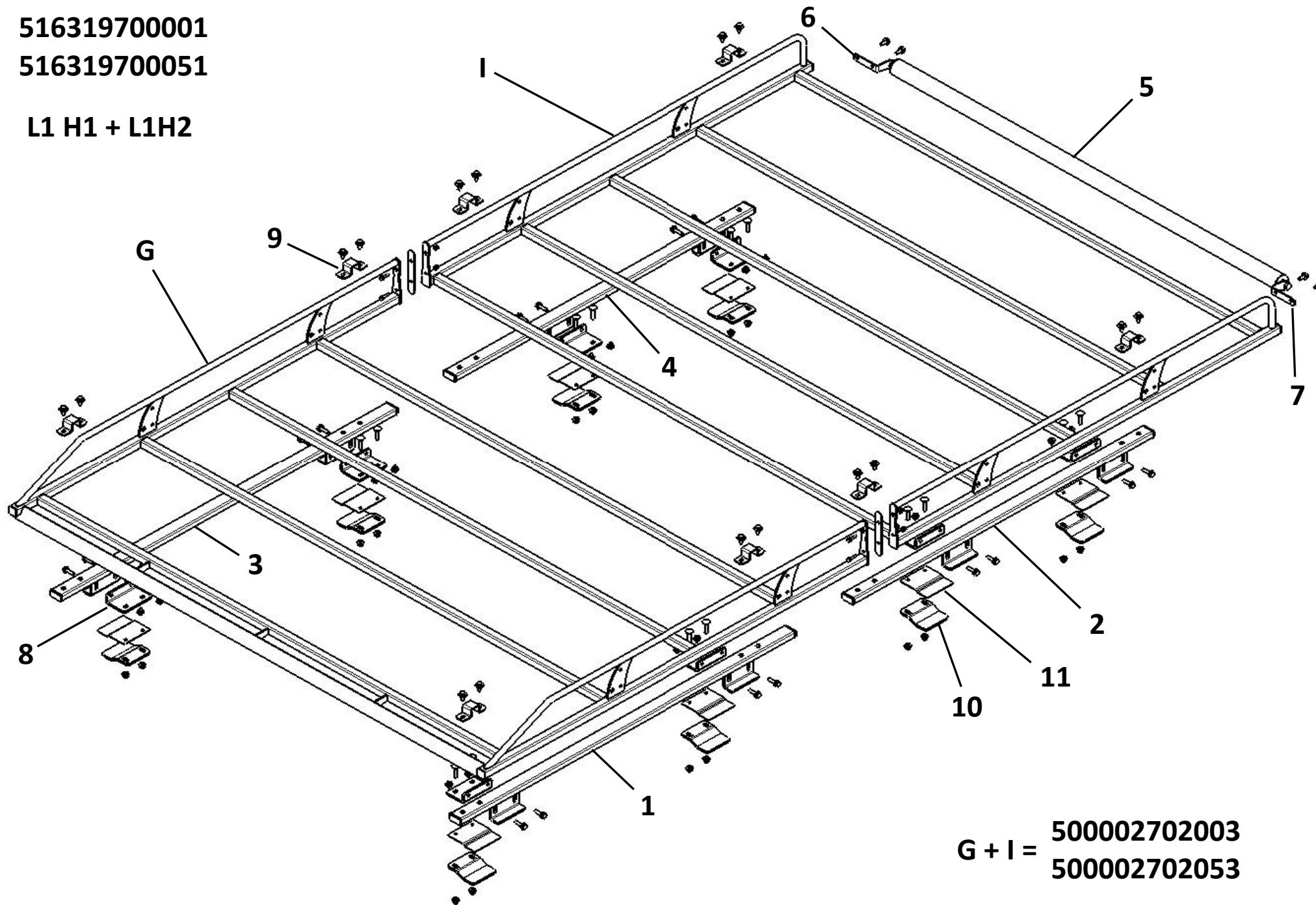
516332700051 = 500002702053 + 500002702055 + 500002701056 + 516332700052



51631970001

51631970051

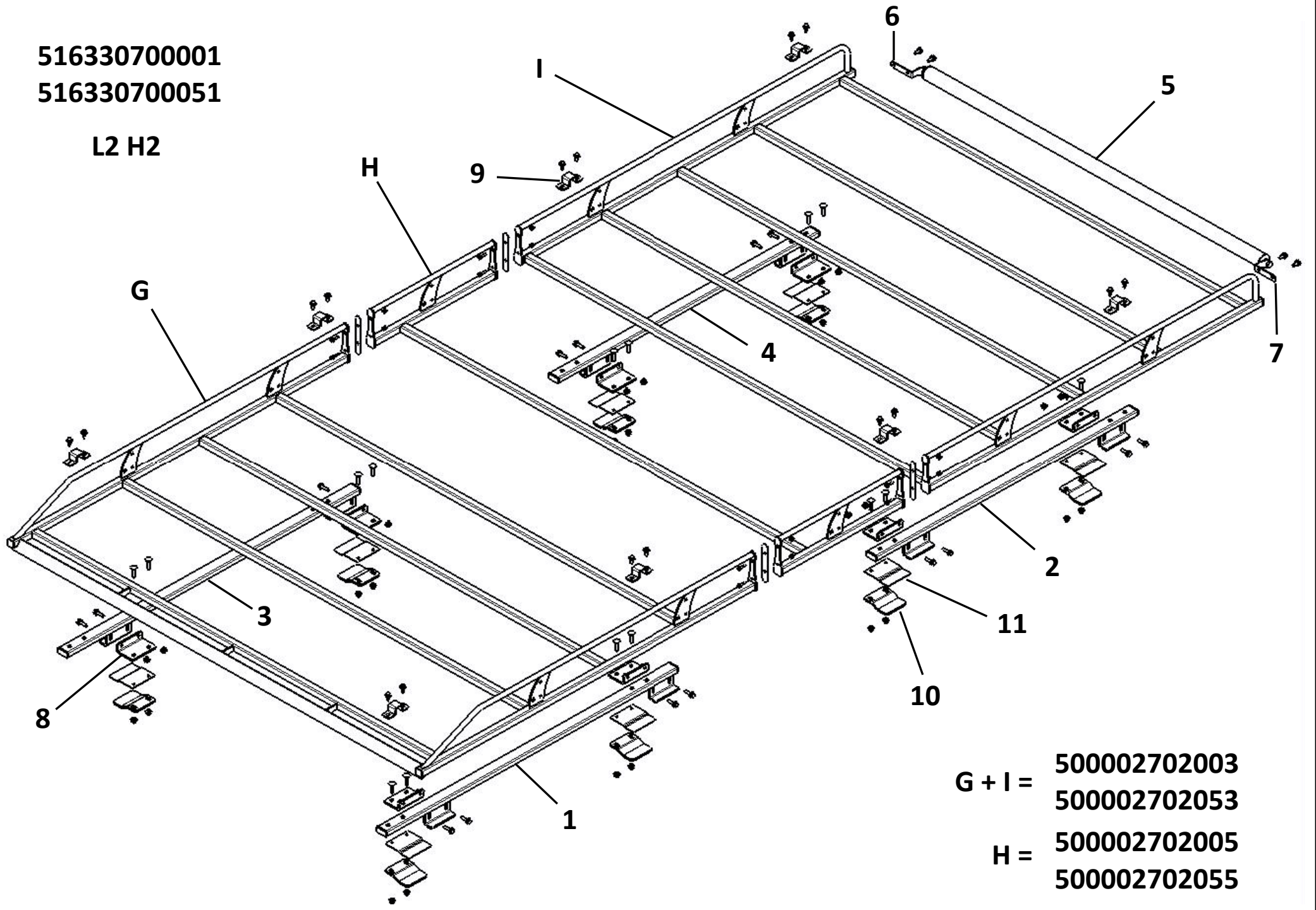
L1 H1 + L1H2



G + I = 50002702003
50002702053

51633070001
51633070051

L2 H2

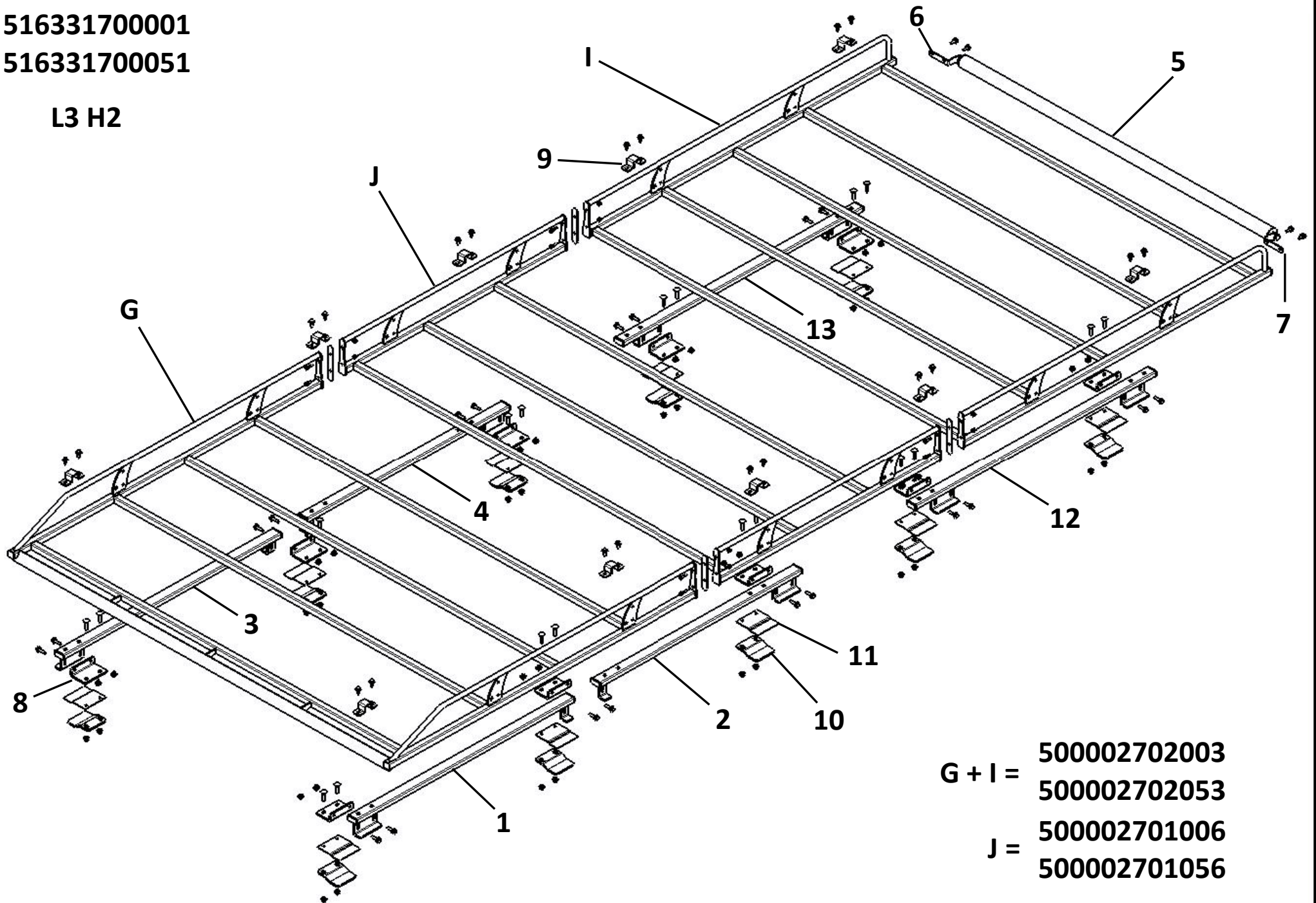


G + I = 50002702003
50002702053
H = 50002702005
50002702055

51633170001

51633170051

L3 H2



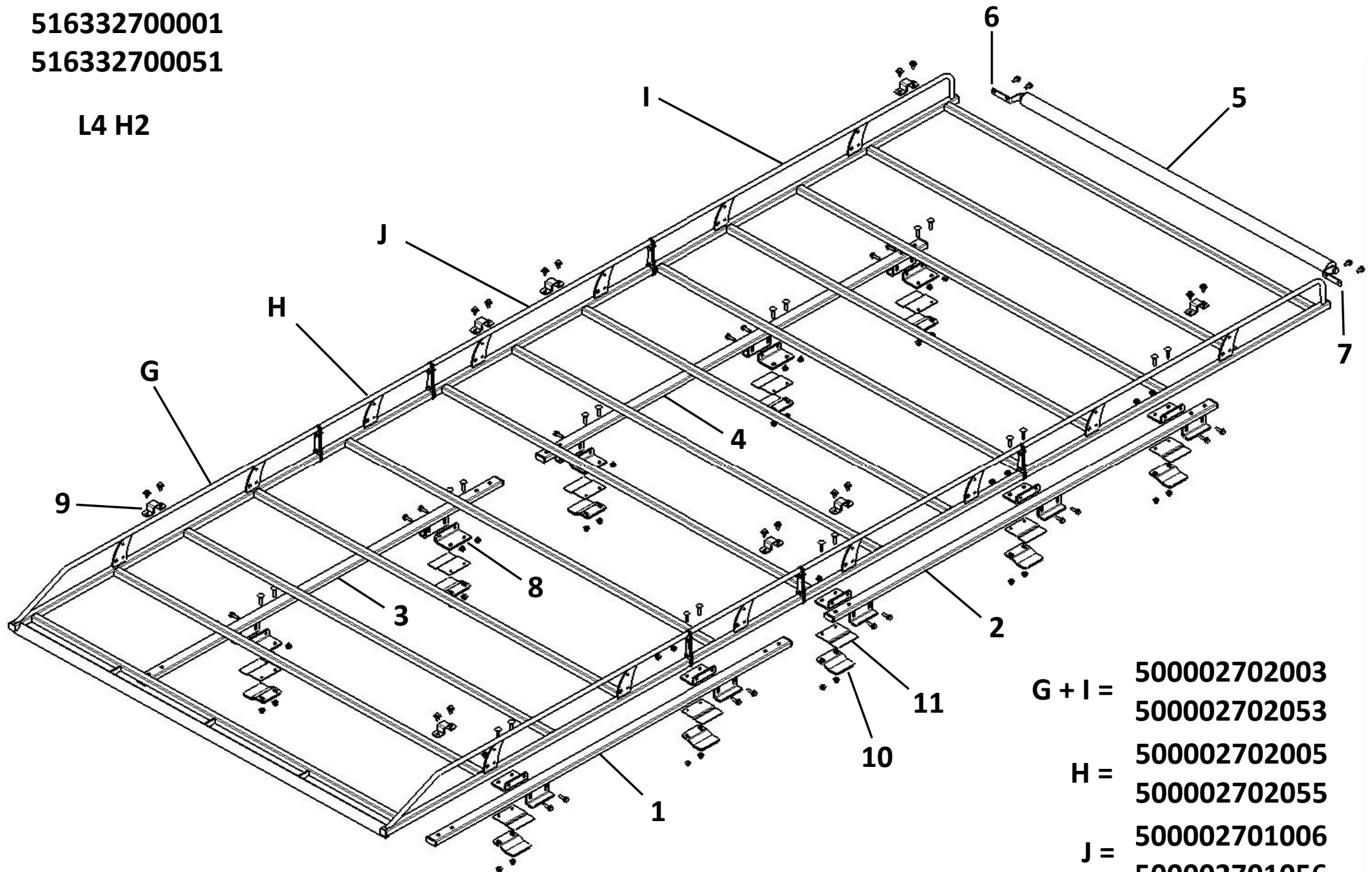
G + I = 50002702003
50002702053

J = 50002701006
50002701056

51633270001

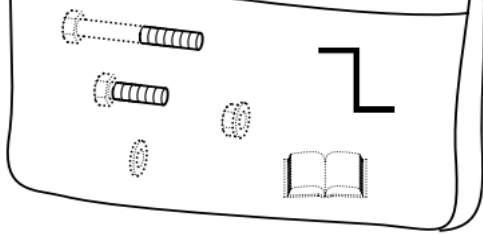
516332700051

L4 H2

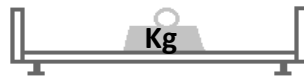
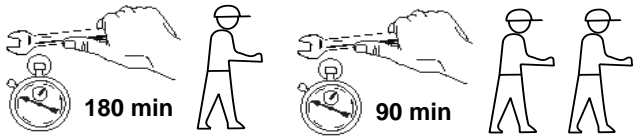
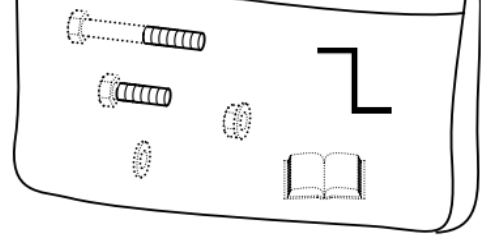


G + I = 50002702003
50002702053
H = 50002702005
50002702055
J = 50002701006
50002701056

516319700002 - 516330700002
516331700002 - 516332700002



516319700052 - 516330700052
516331700052 - 516332700052



L1H1 = 140 Kg
L1H2 = 140 Kg
L2H2 = 130 Kg
L3H2 = 120 Kg
L4H2 = 115 Kg

D HM 8 x 20 Cl 8.8 20Nm
CS 8 x 22

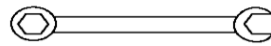
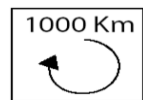
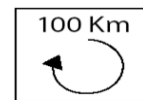
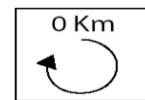
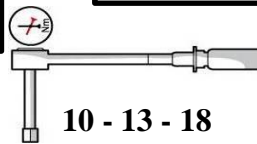
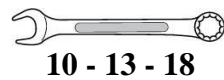
X HM 6 x 25 Cl 8.8 9 Nm
L 6 x 12
M6 Cl 8

B HM 8 x 30 Cl 8.8 20 Nm
L 8 x 18
M8 Cl 8

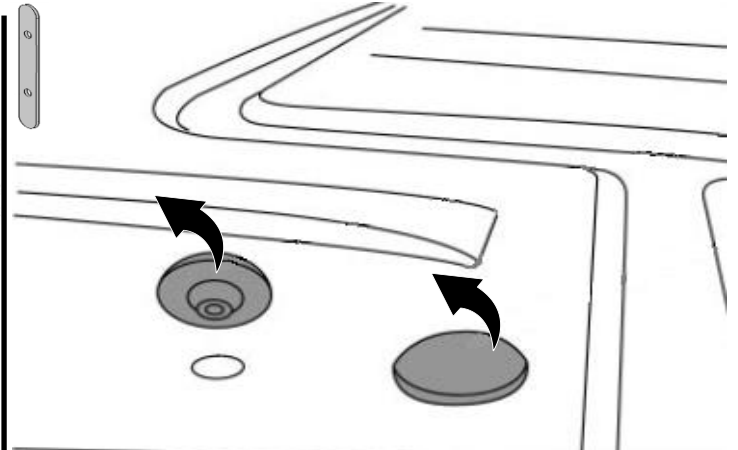
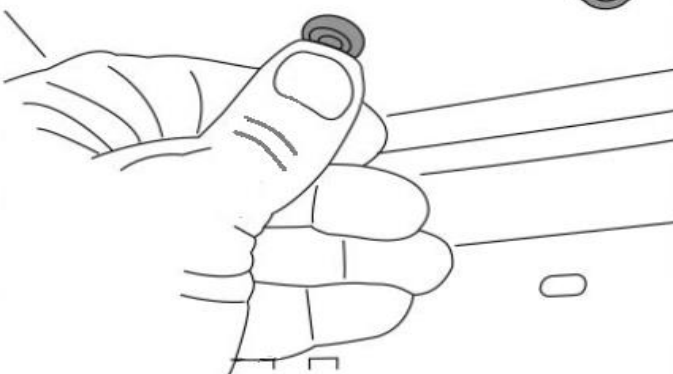
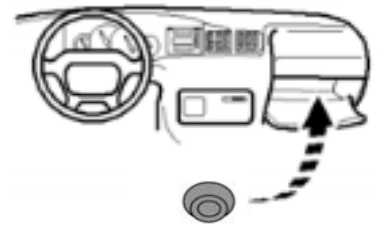
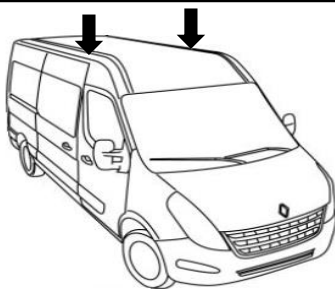
A TRCC 8 x 35 Cl 8.8 20 Nm
L 8 x 18
M8 Cl 8

C HM 12 x 50 Cl 8.8 81 Nm
CS 12
M12 Cl 8
45 x 40 x 10

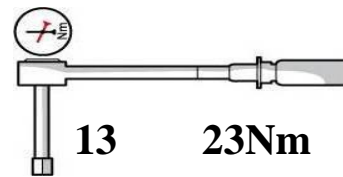
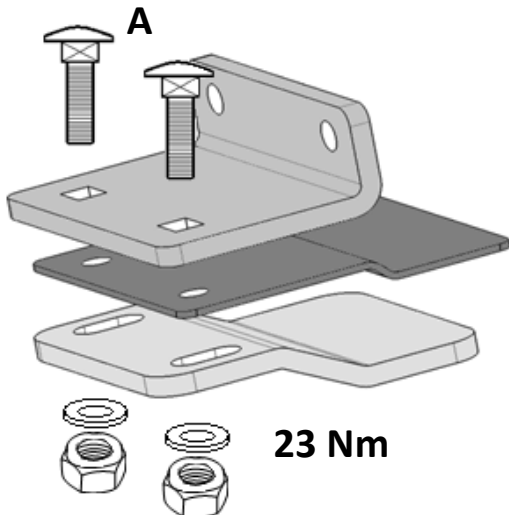
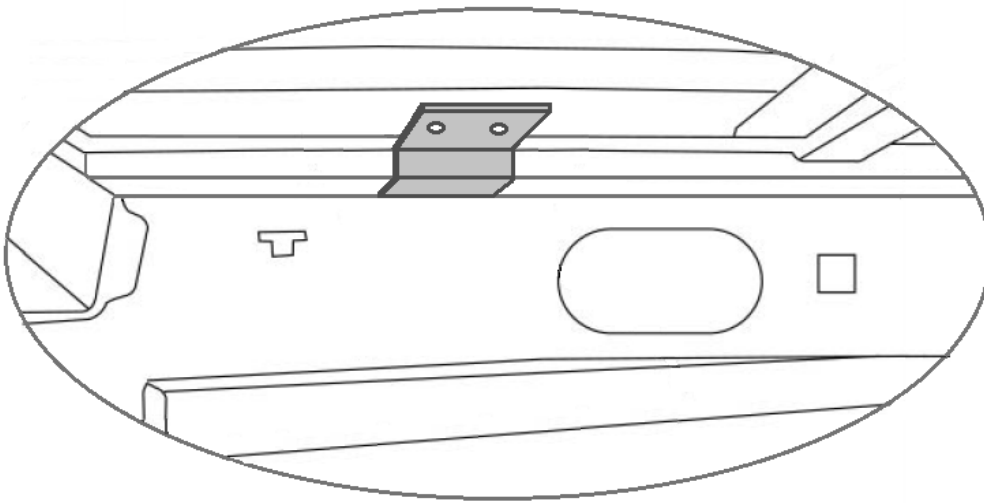
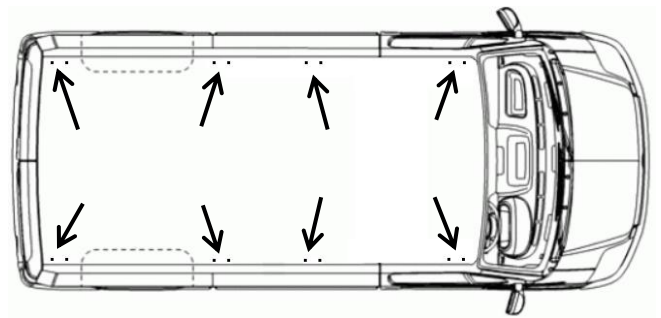
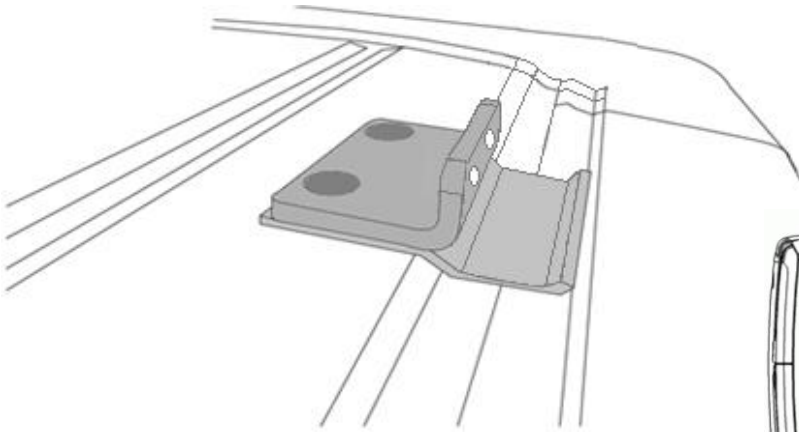
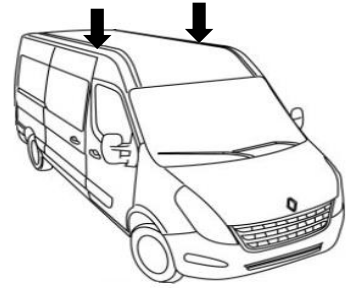
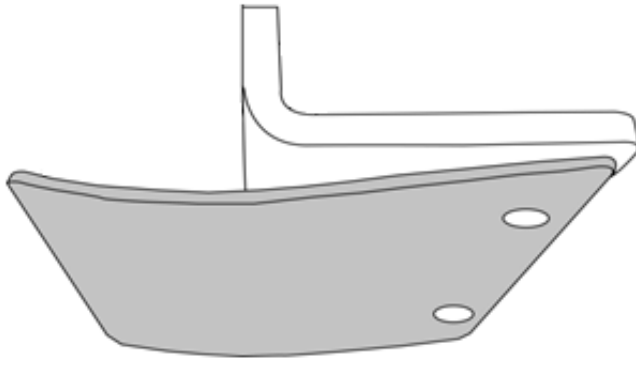
Z HM 8 x 20 Cl 8.8 20Nm
CS 8 x 22



1



2

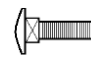


23Nm



13

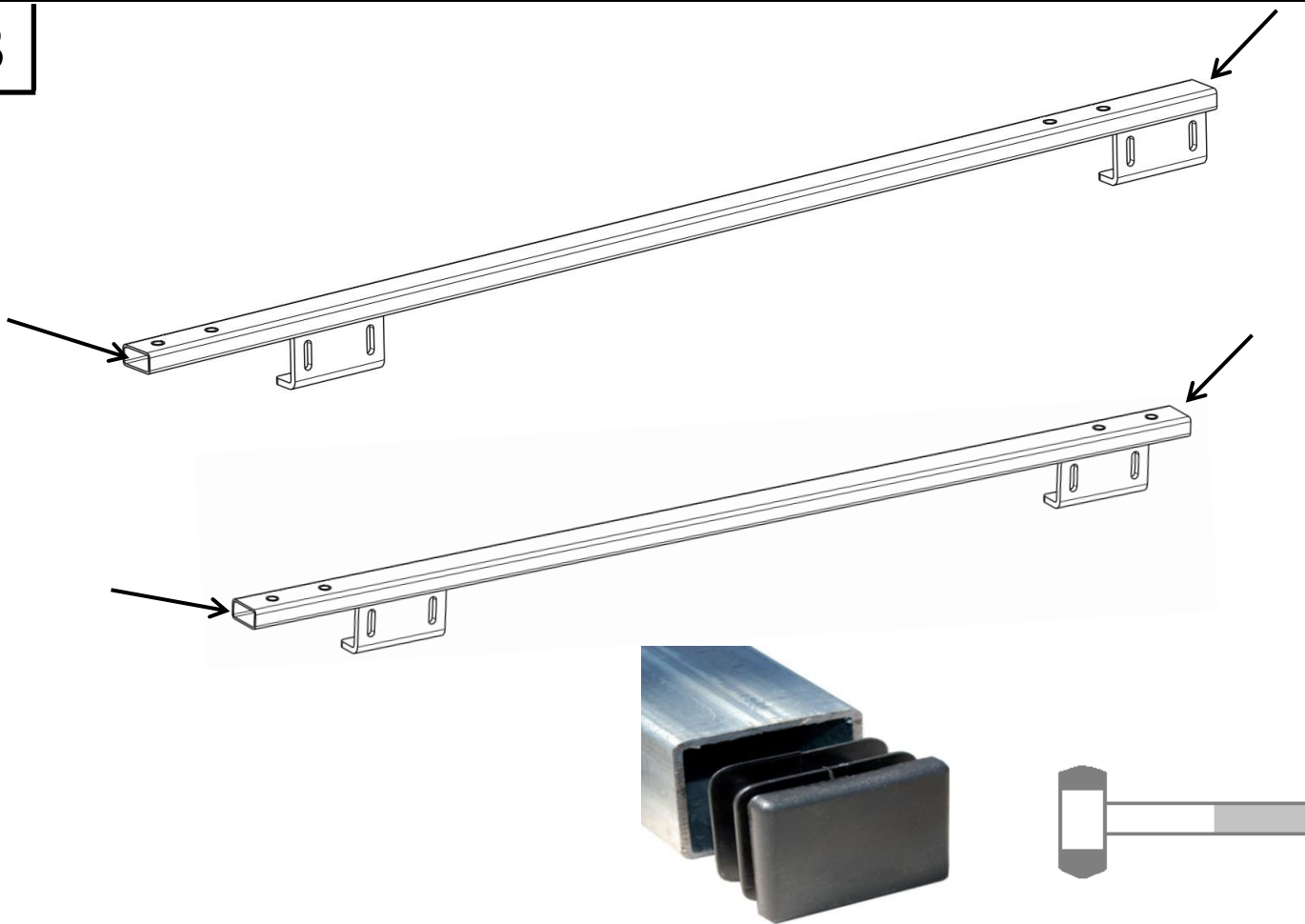
A

 TRCC 8 x 35 Cl 8.8

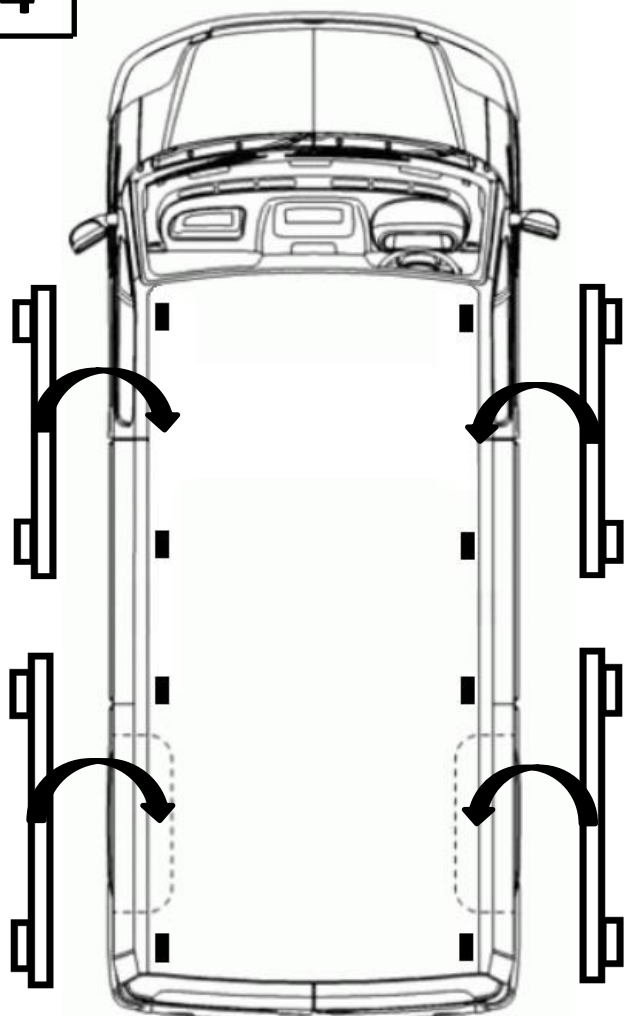
 L 8 x 18

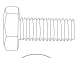


 M8 Cl 8

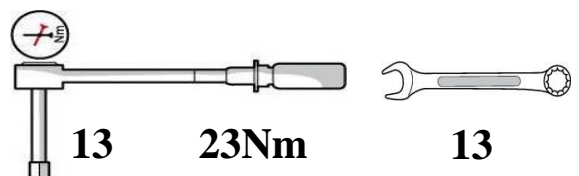
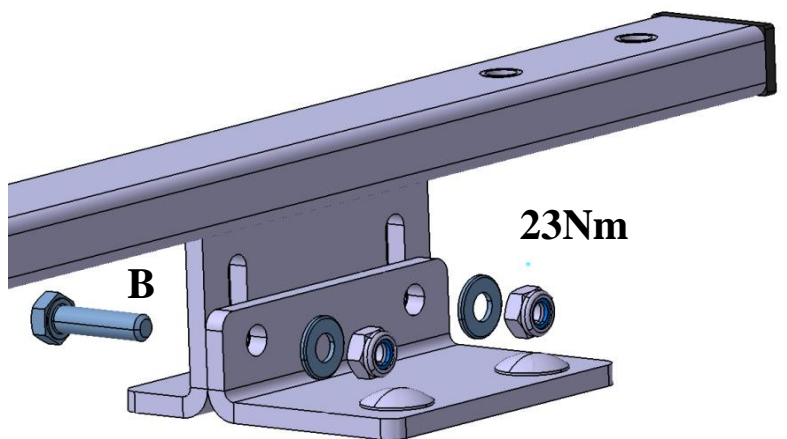
3



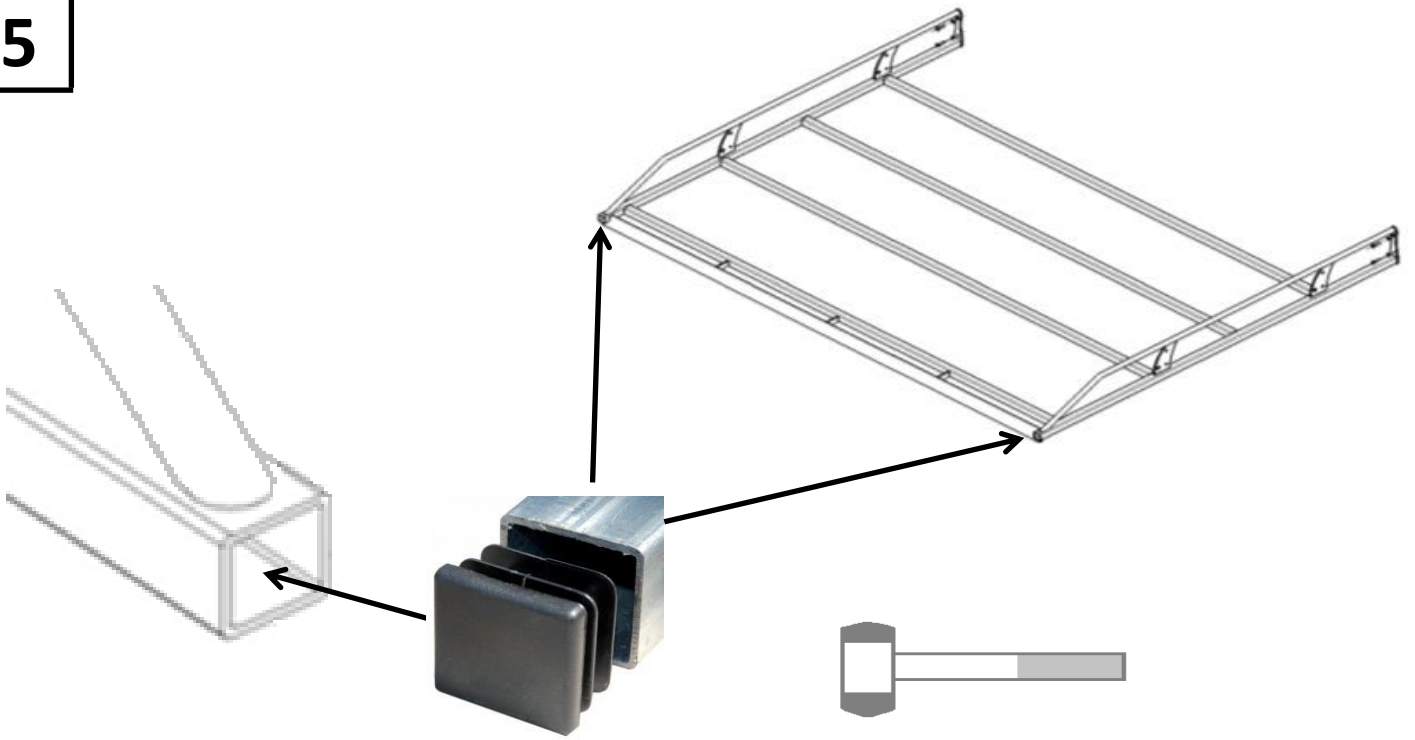
4



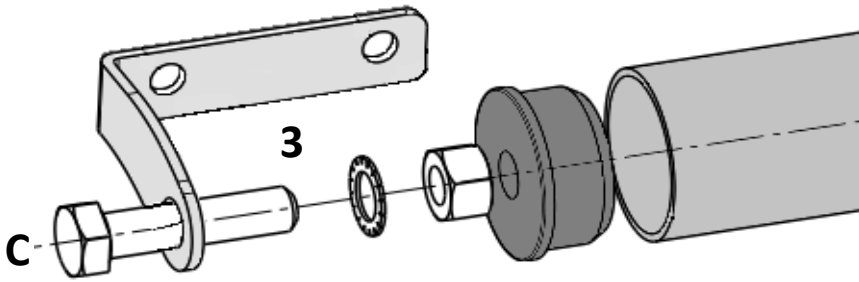
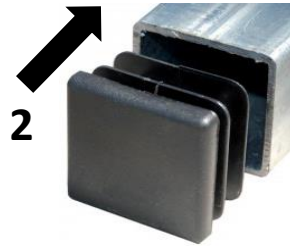
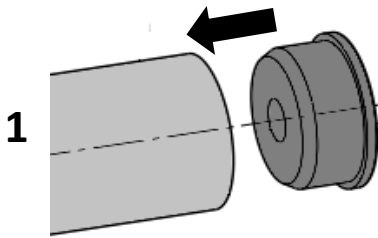
- B**
-  HM 8 x 30 CI 8.8
 -  L 8 x 18
 -  M8 CI 8









5

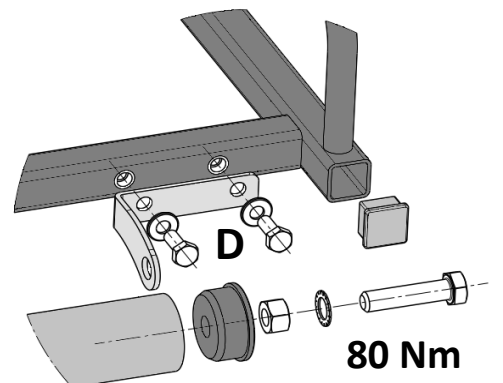
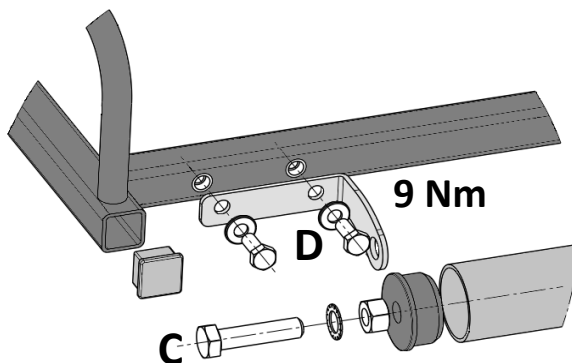
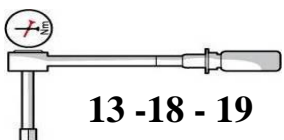
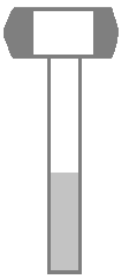


6

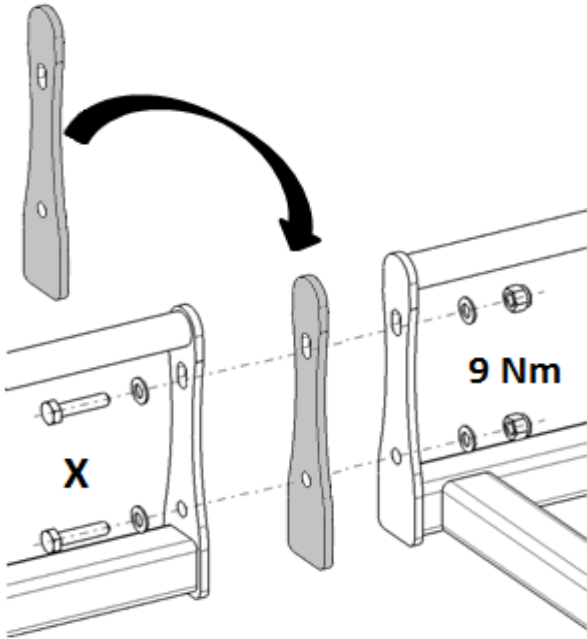
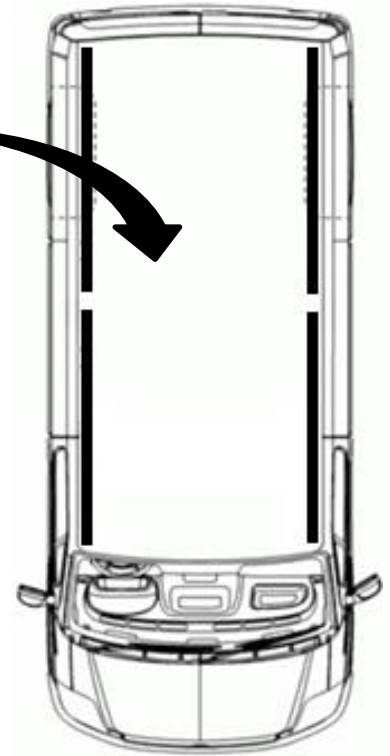
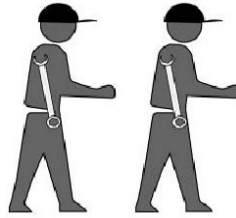
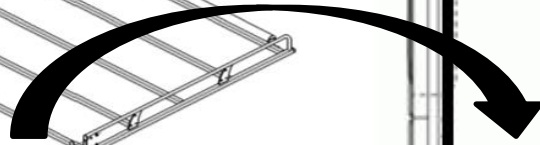
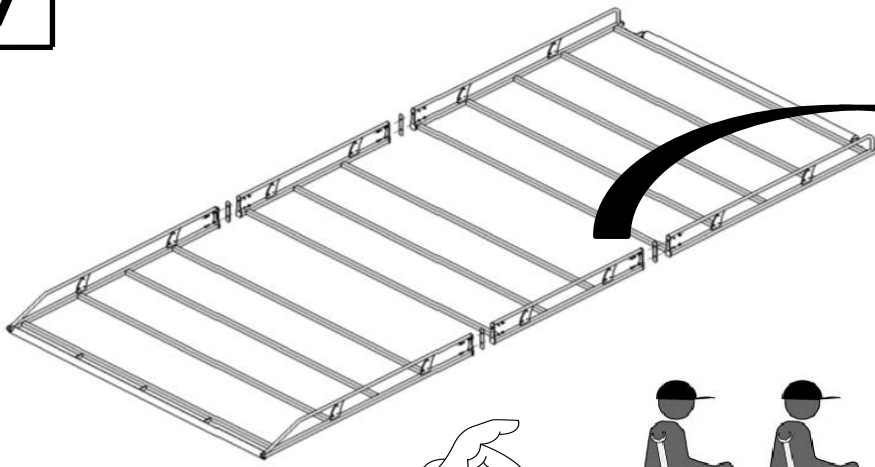


- C**
-  2 HM 12 x 50 CI 8.8
 -  2 DEC 12 x 20
 -  2 M12 CI 8
 -  45 x 40 x 10

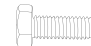


- D**
-  4 HM 8 x 20 CI 8,8
 -  4 CS 8 x 22

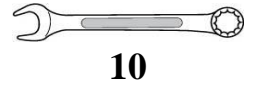
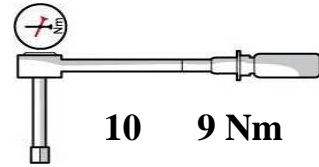


7

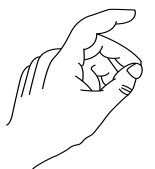
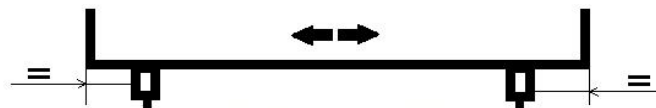


X

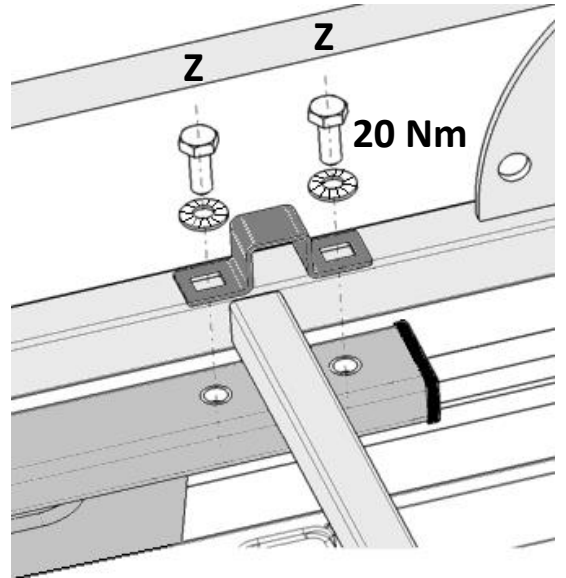
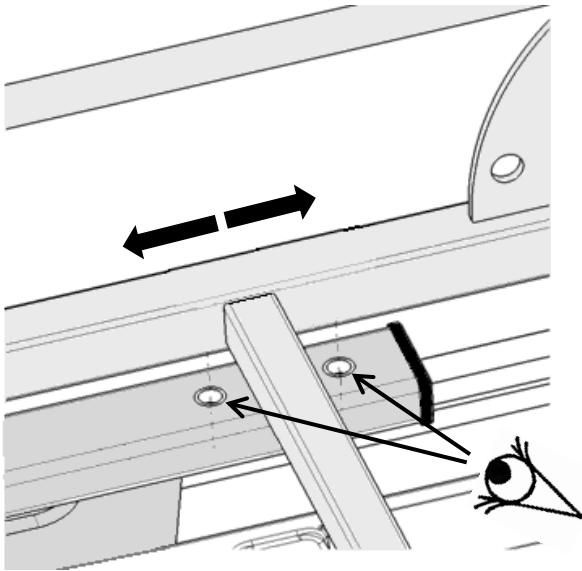
-  HM 6 x 25 Cl 8.8
-  L 6 x 12
-  M6 Cl 8



8



9



Z  **HM 8 x 20**
CS 8 x 22

