



westfalia
AUTOMOTIVE



siarr
WESTFALIA AUTOMOTIVE

513353700001 - 513353700051

516268700001 - 516268700051

516269700001 - 516269700051



RENAULT KANGOO 02/2008 > - MERCEDES CITAN 09/2012 >



L1

513353700001 = 500001701003 + 513353700002

513353700051 = 500001701053 + 513353700052

L2

**516268700001 = 500001701003 + 500001701004 +
516268700002**

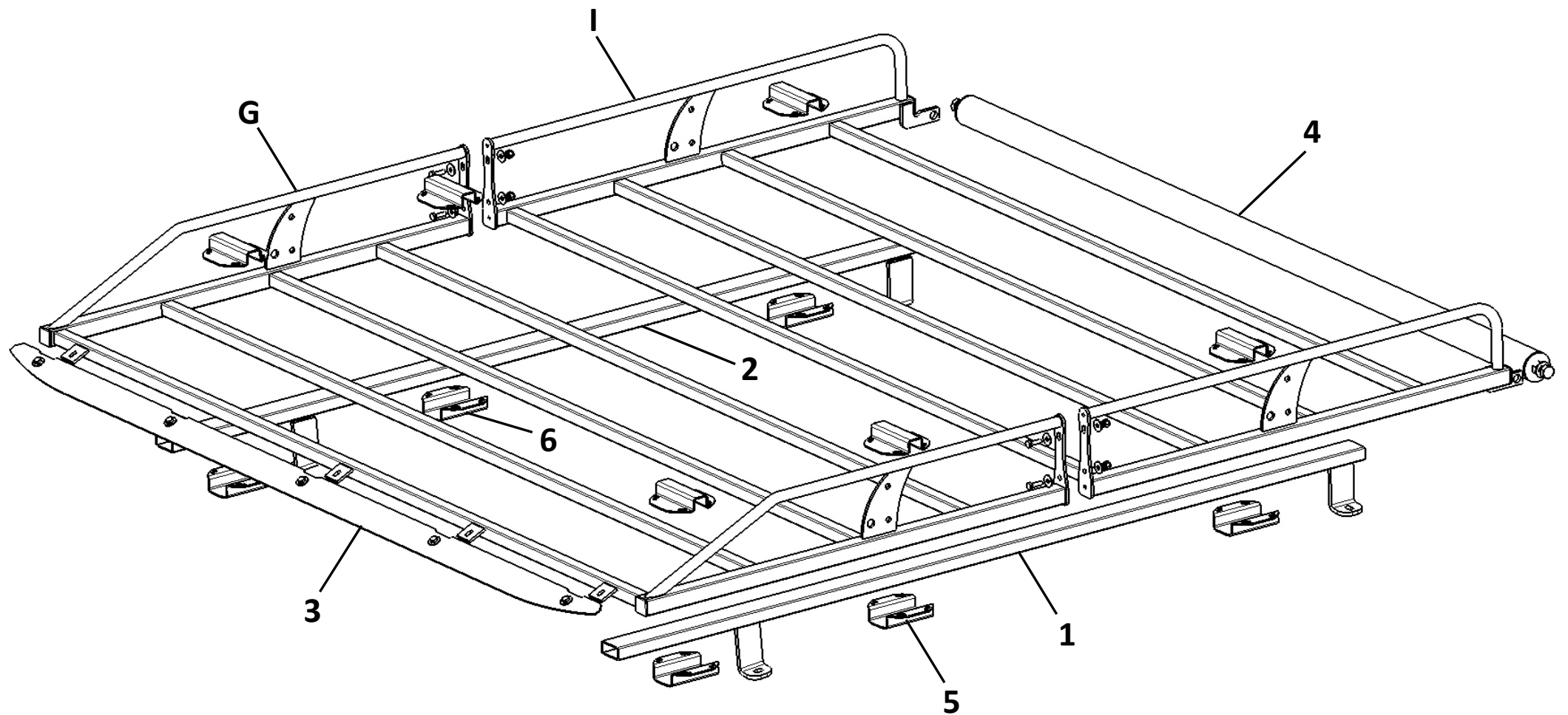
**516268700051 = 500001701053 + 500001701054 +
516268700052**

L3

**516269700001 = 500001701003 + 500001702004 +
516269700002**

**516269700051 = 500001701053 + 500001702054 +
516269700052**

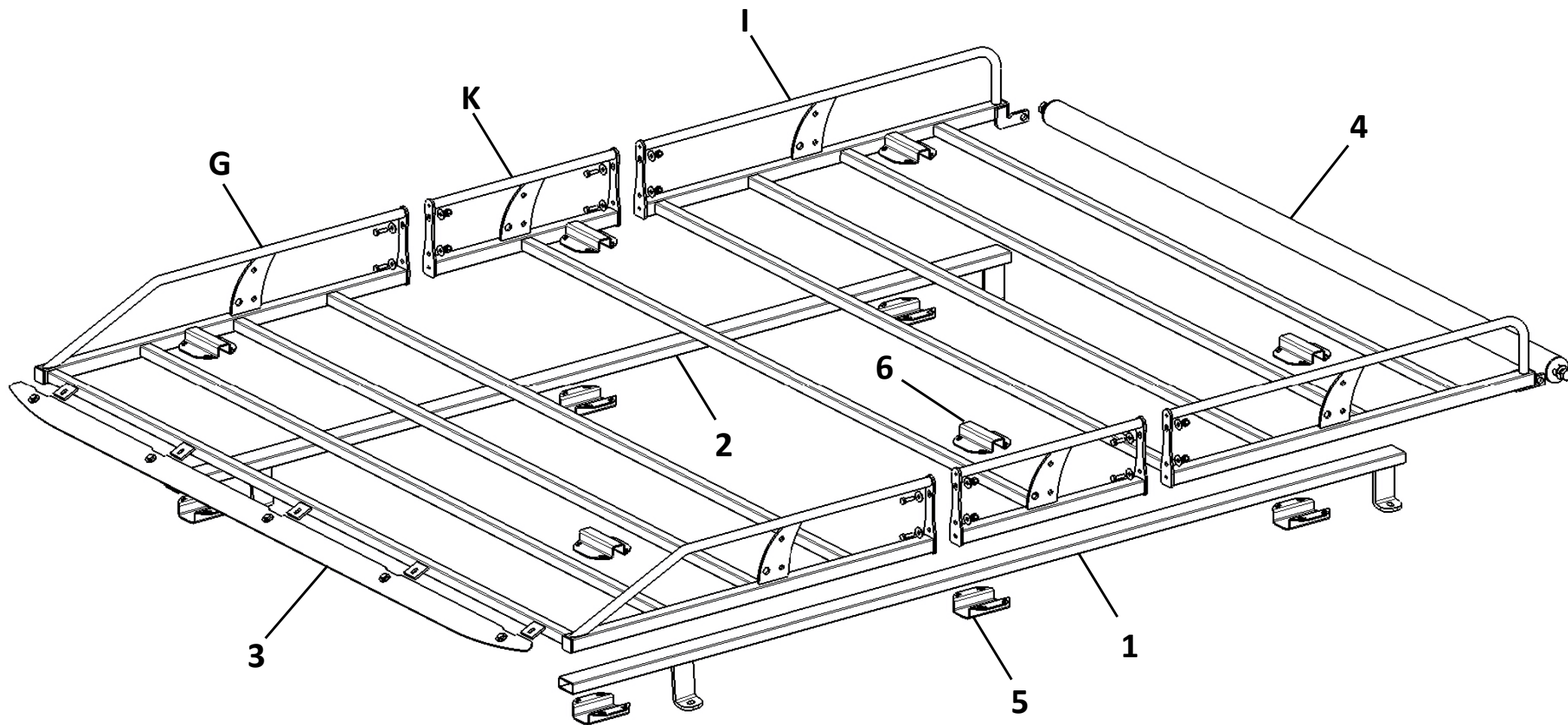
51335370001
51335370051



G + I = 50001701003
50001701053

51626870001

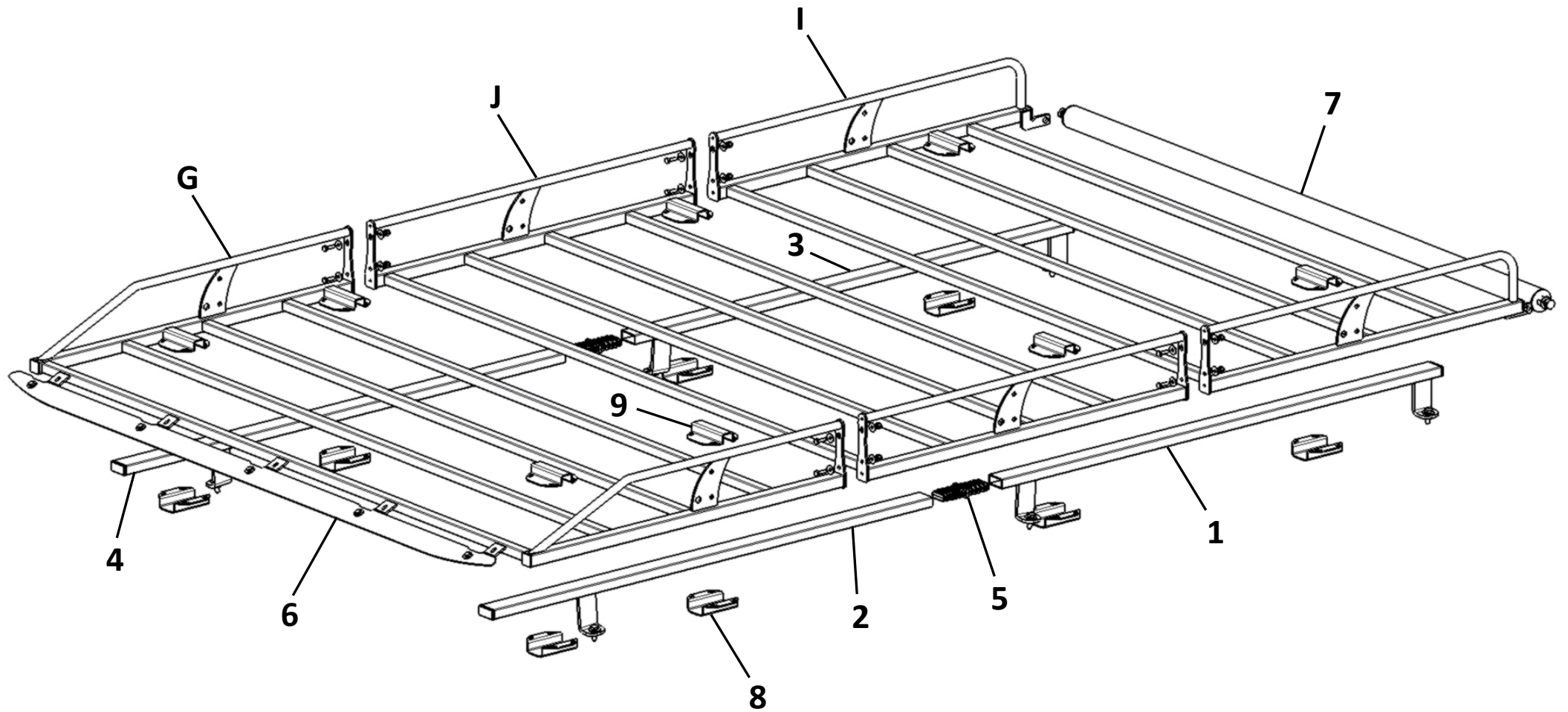
51626870051



G + I = 500001701003
500001701053

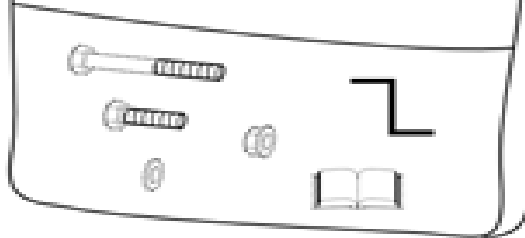
K = 500001701004
500001701054

51626970001
51626970051



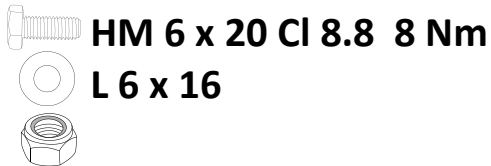
G + I = 500001701003
500001701053
J = 500001702004
500001702054

51626870002 51626870052
51626970002 51626970052

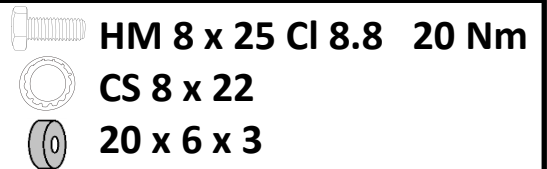


L1 = 72,3 Kg
L2 = 67 Kg
L3 = 60,9 Kg

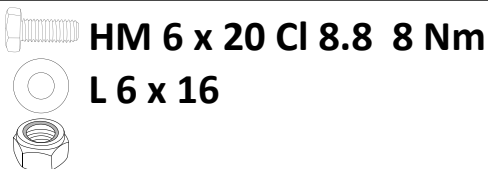
V



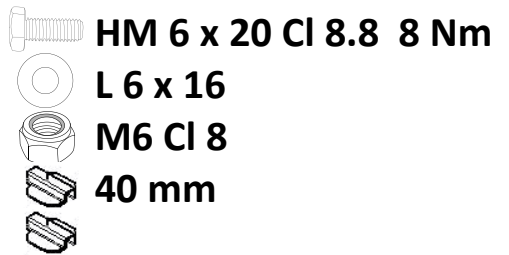
Y



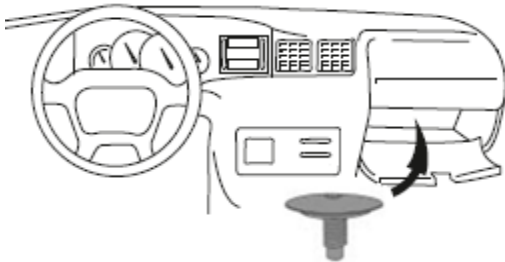
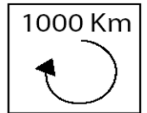
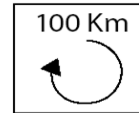
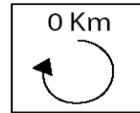
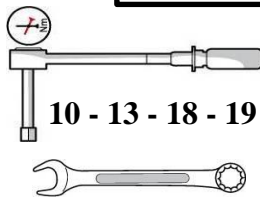
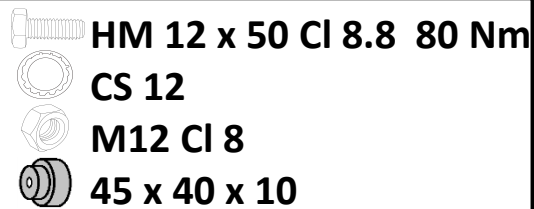
X



Z



W



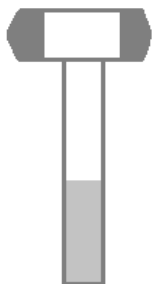
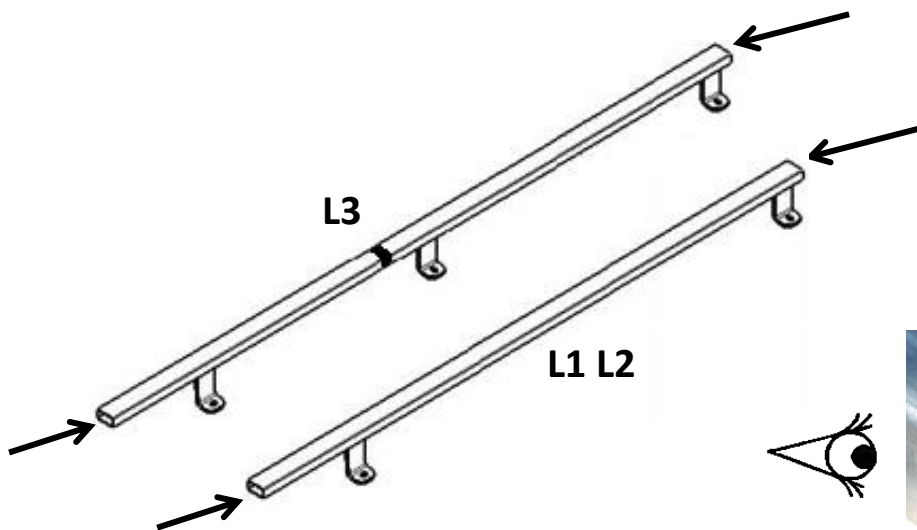
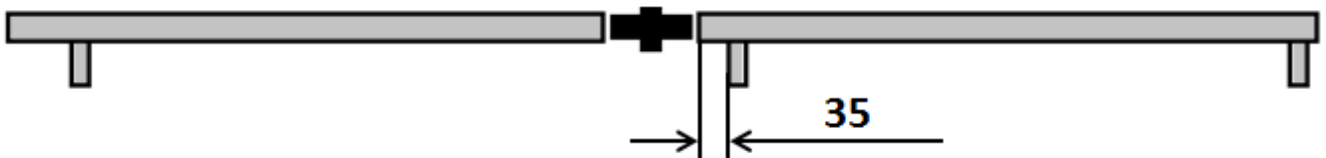
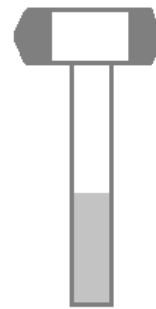
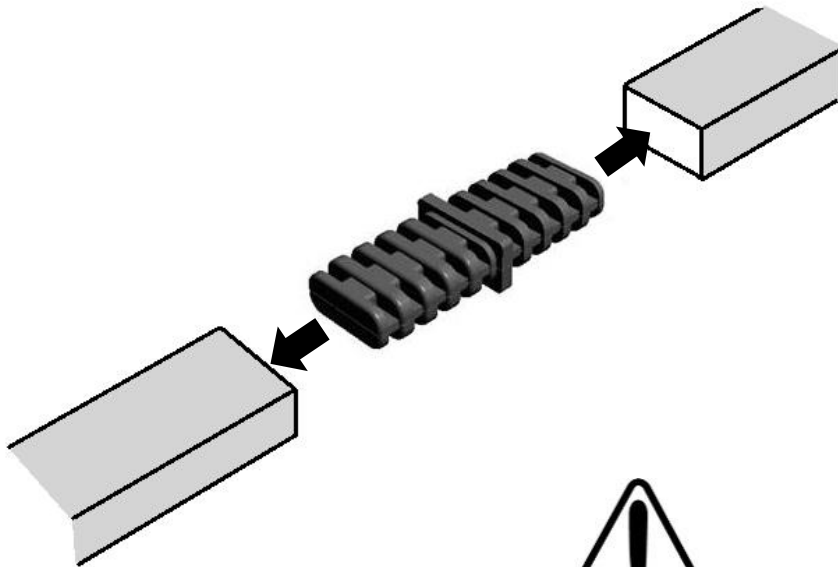
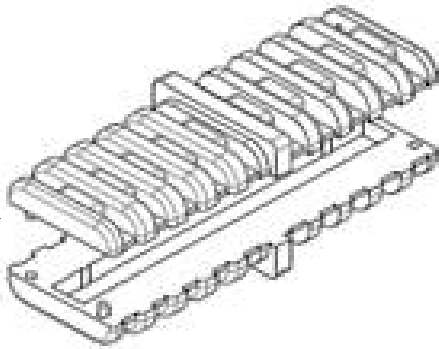
L1 = 4
L2 = 4
L3 = 6

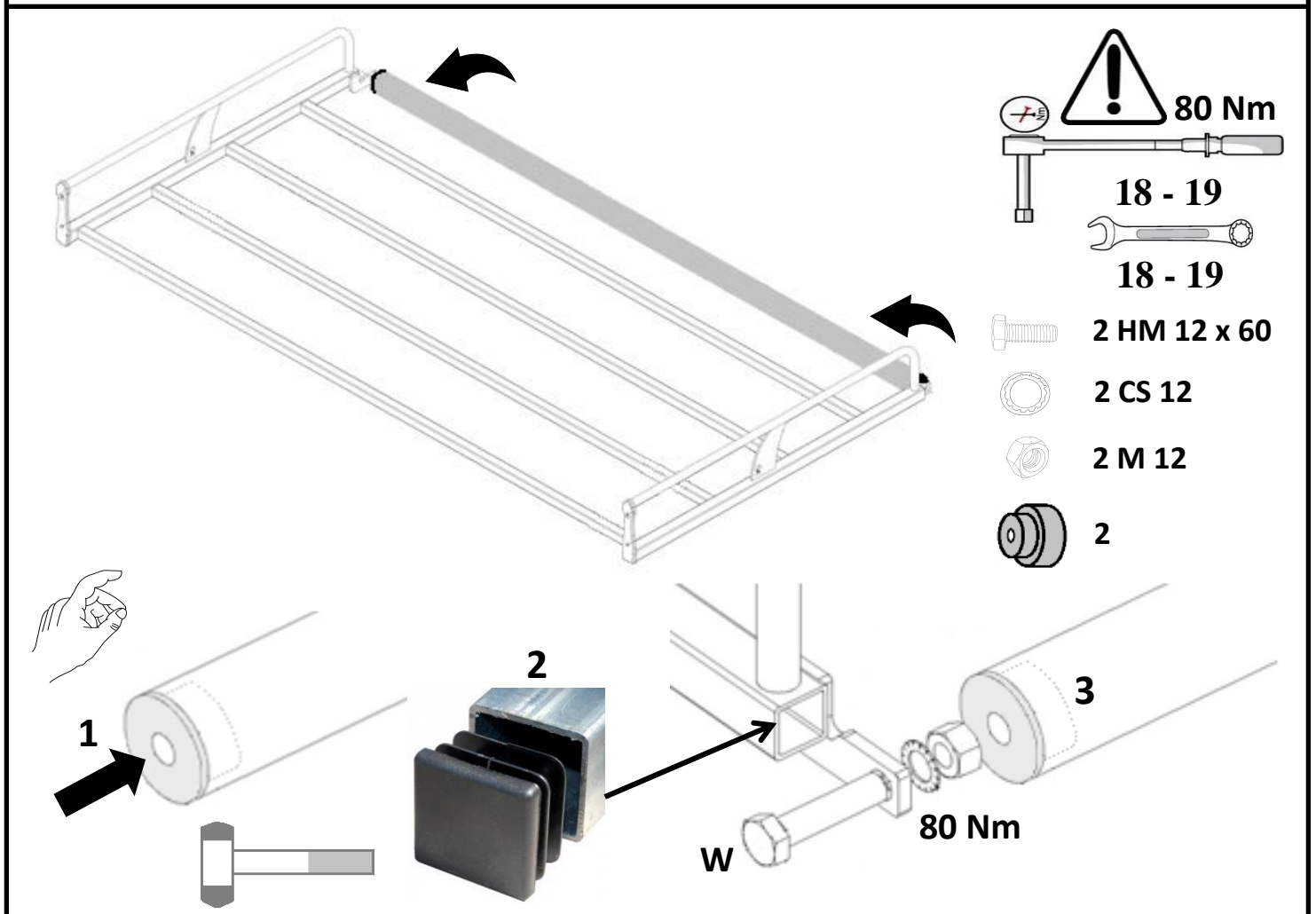
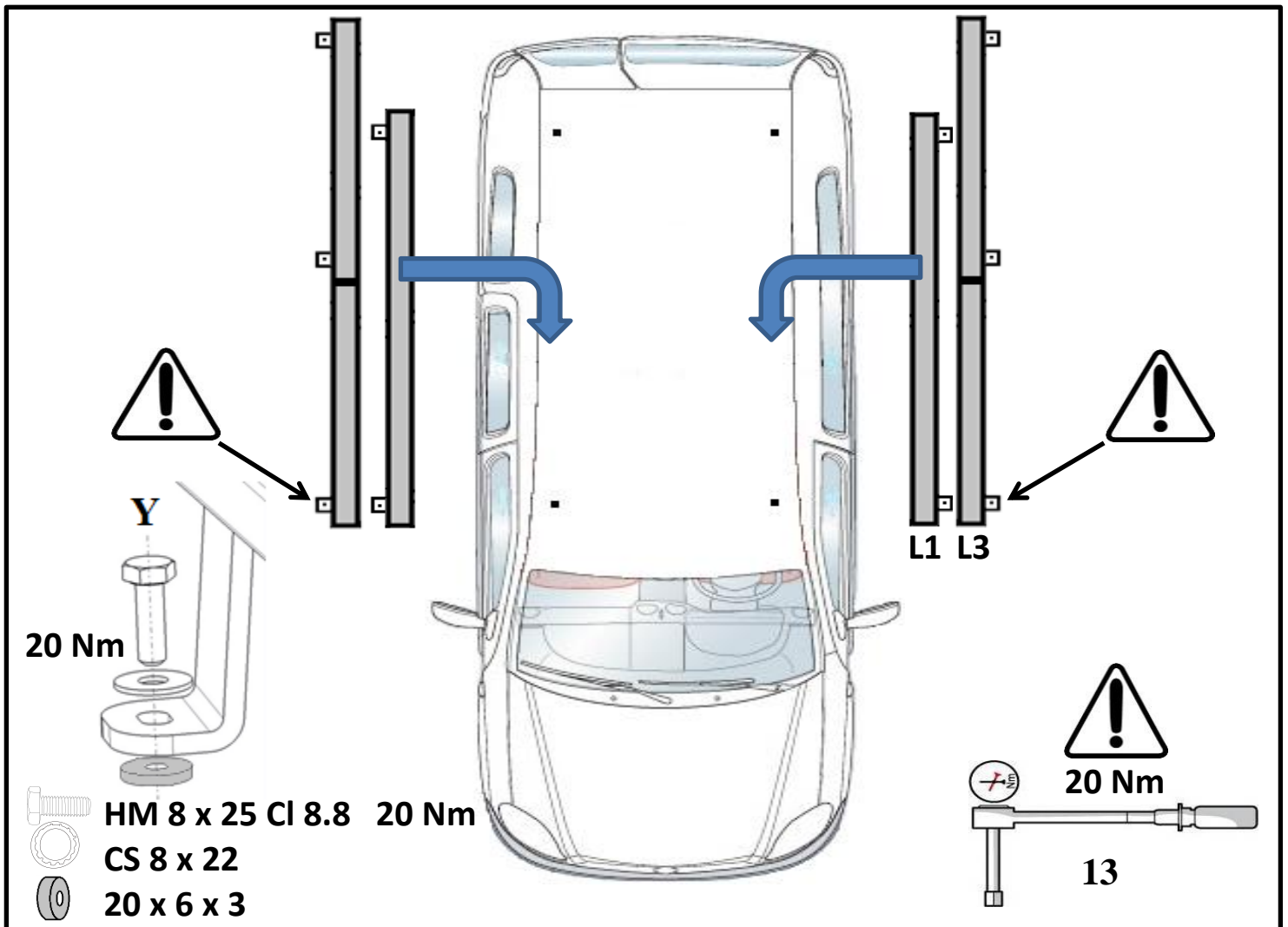


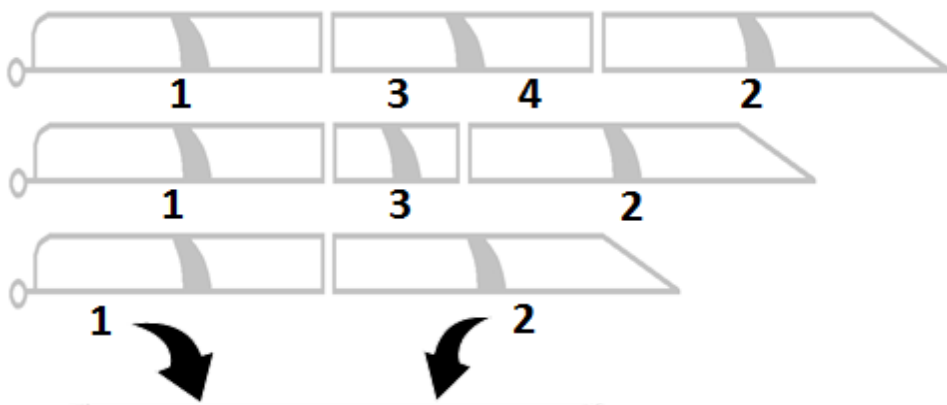
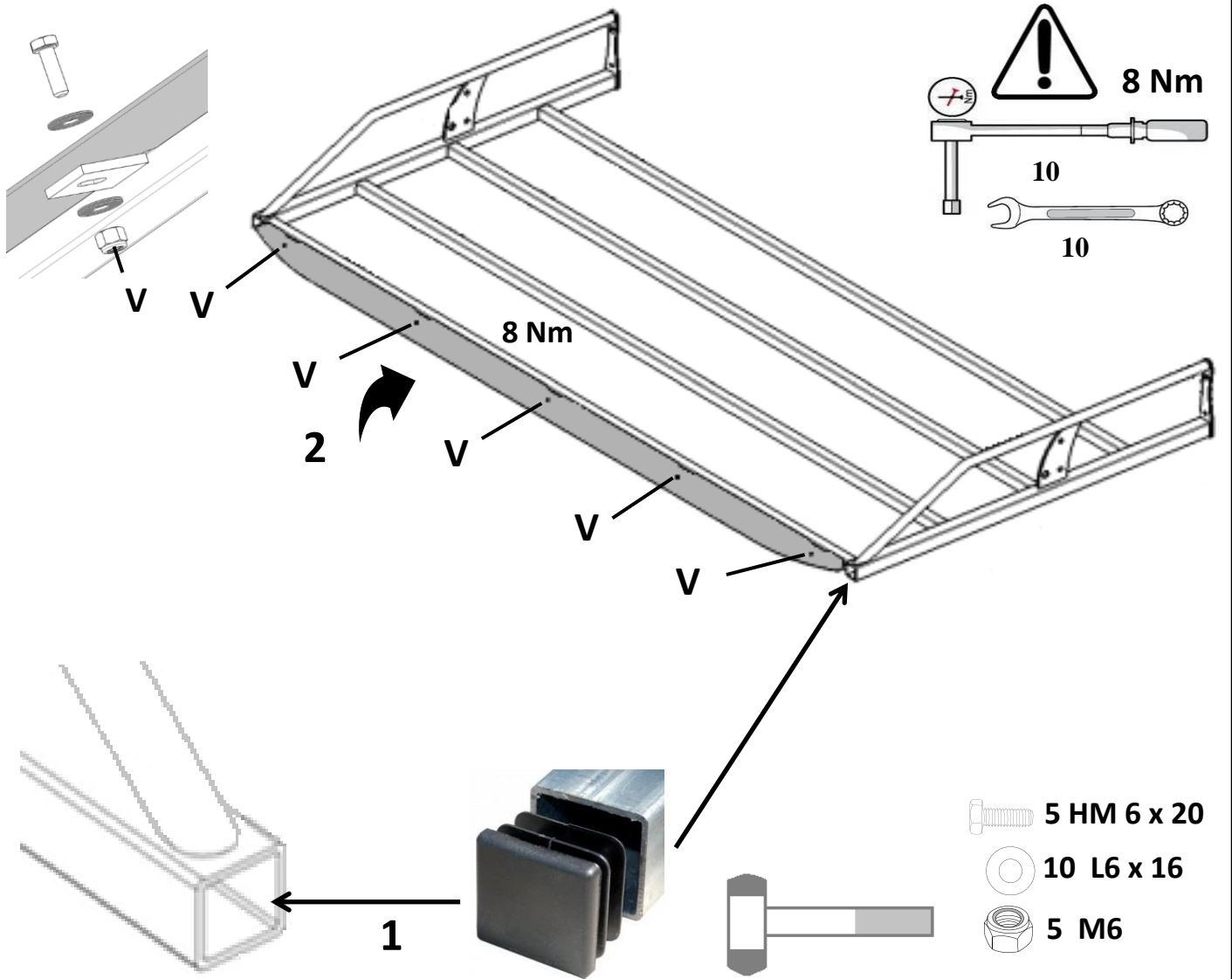
T40



L3





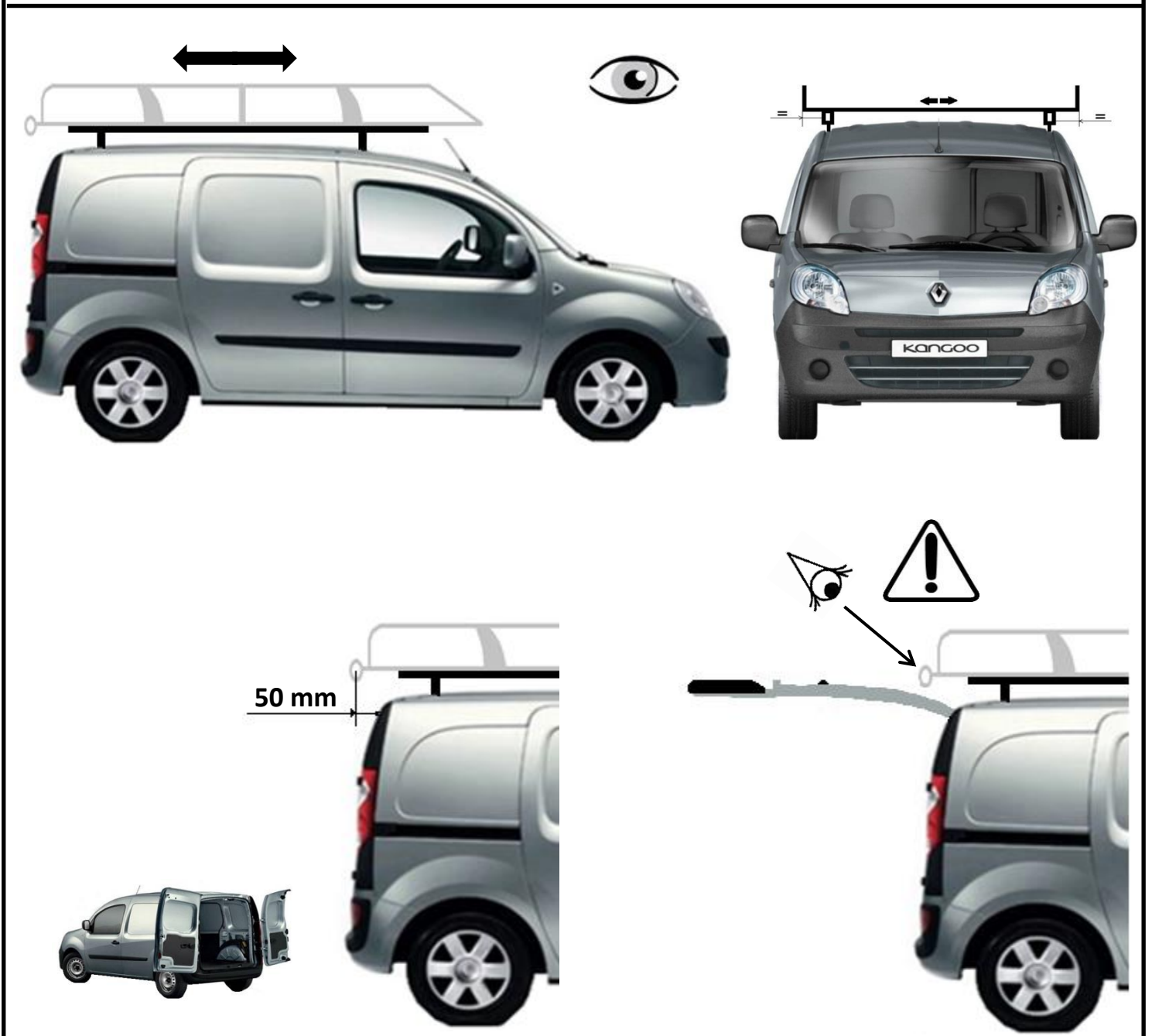
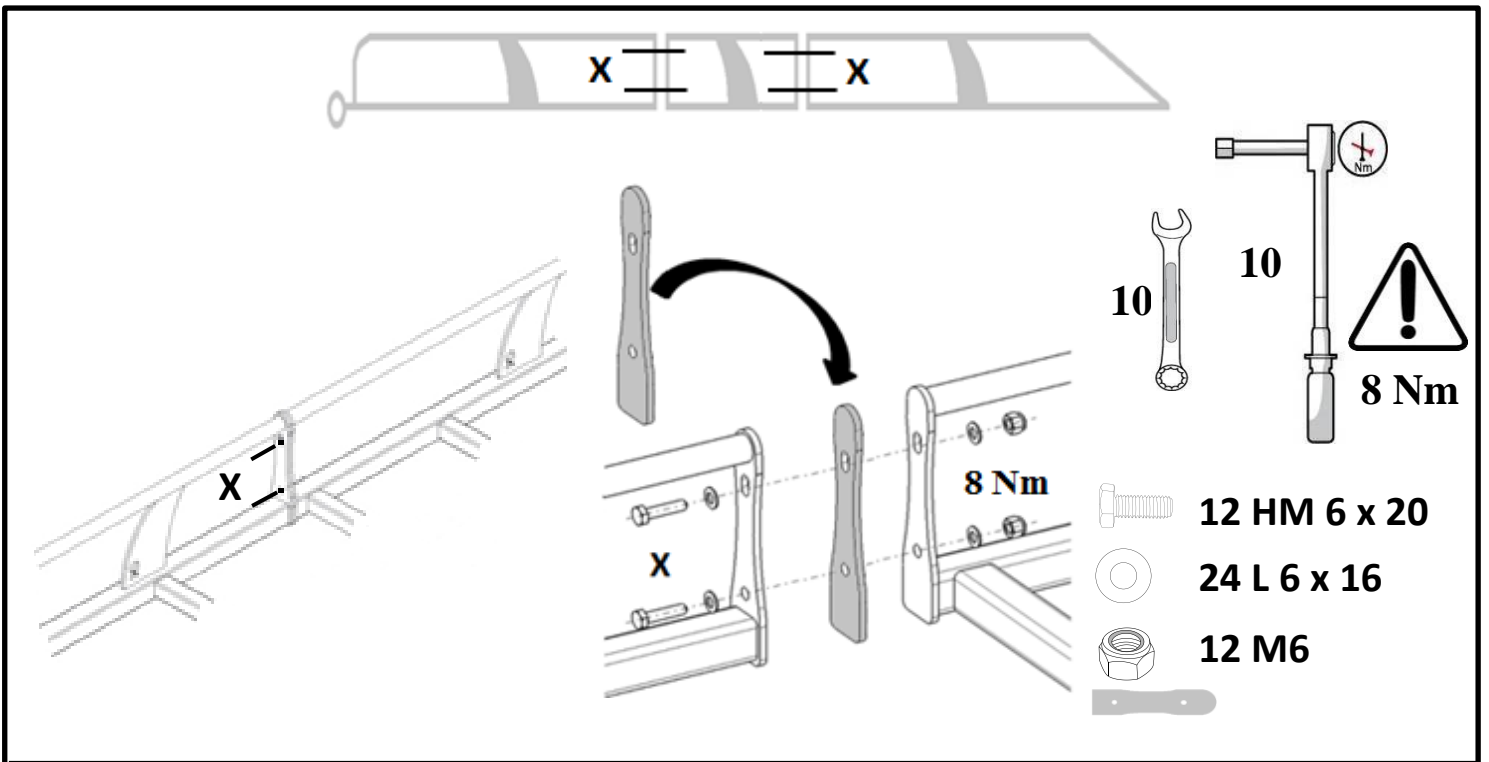


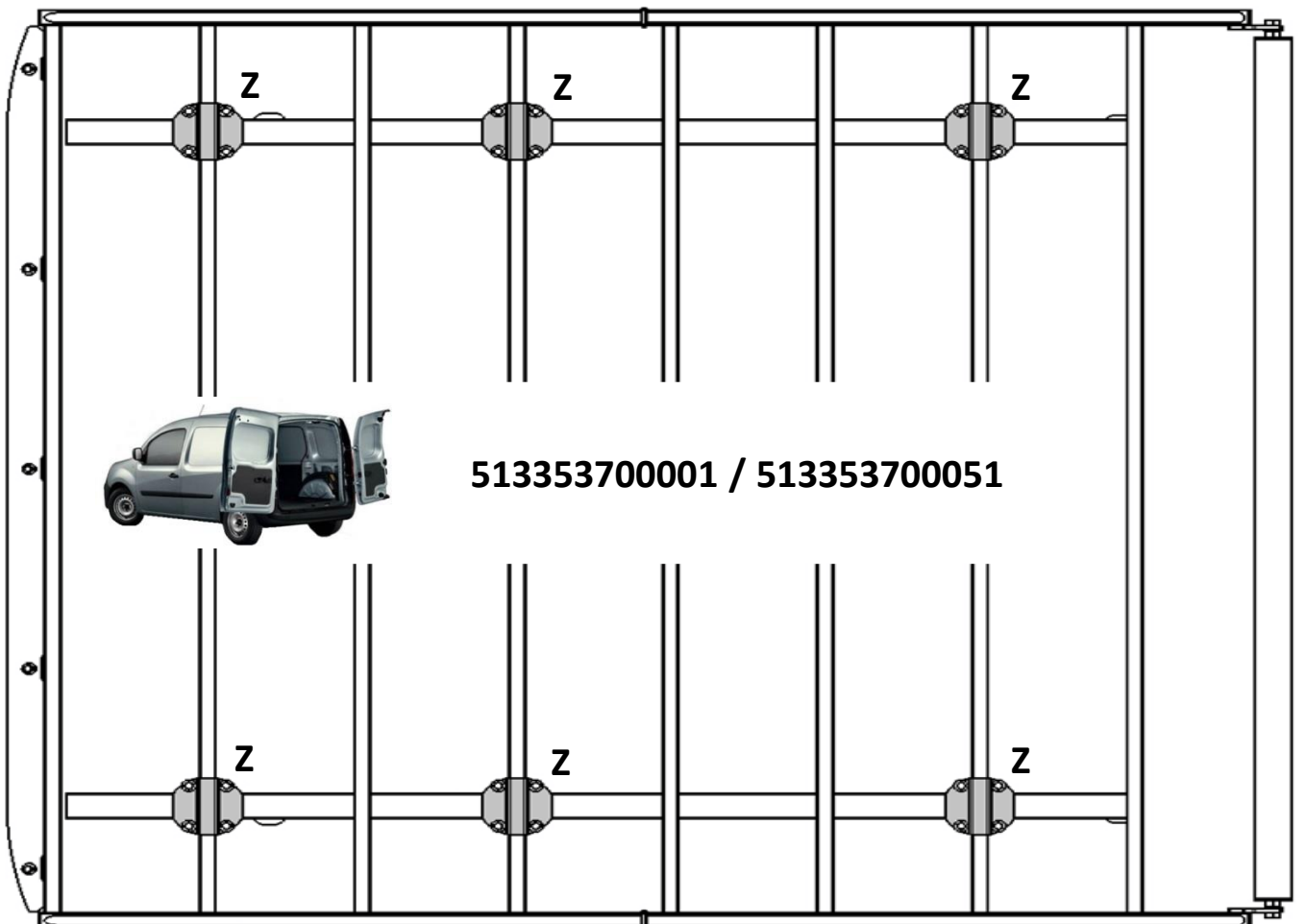
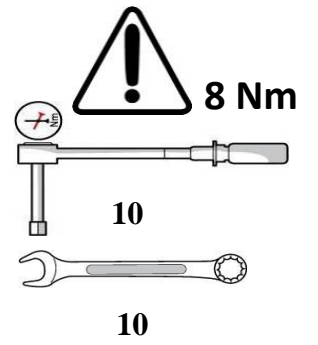
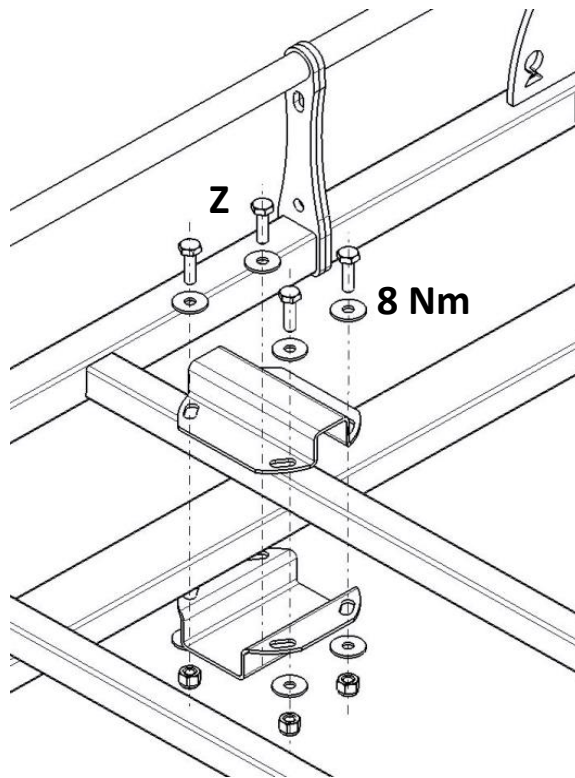
516269700001

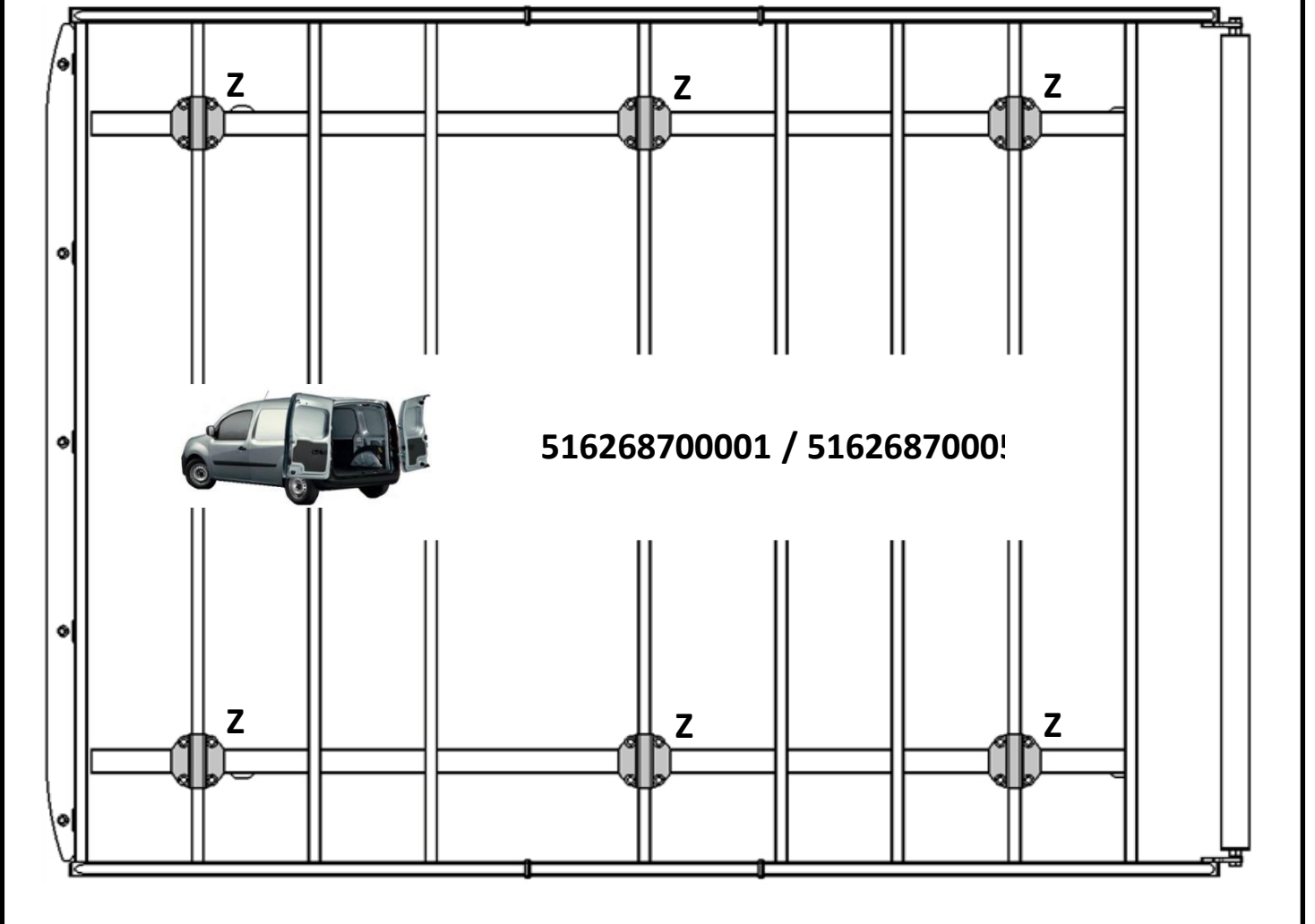
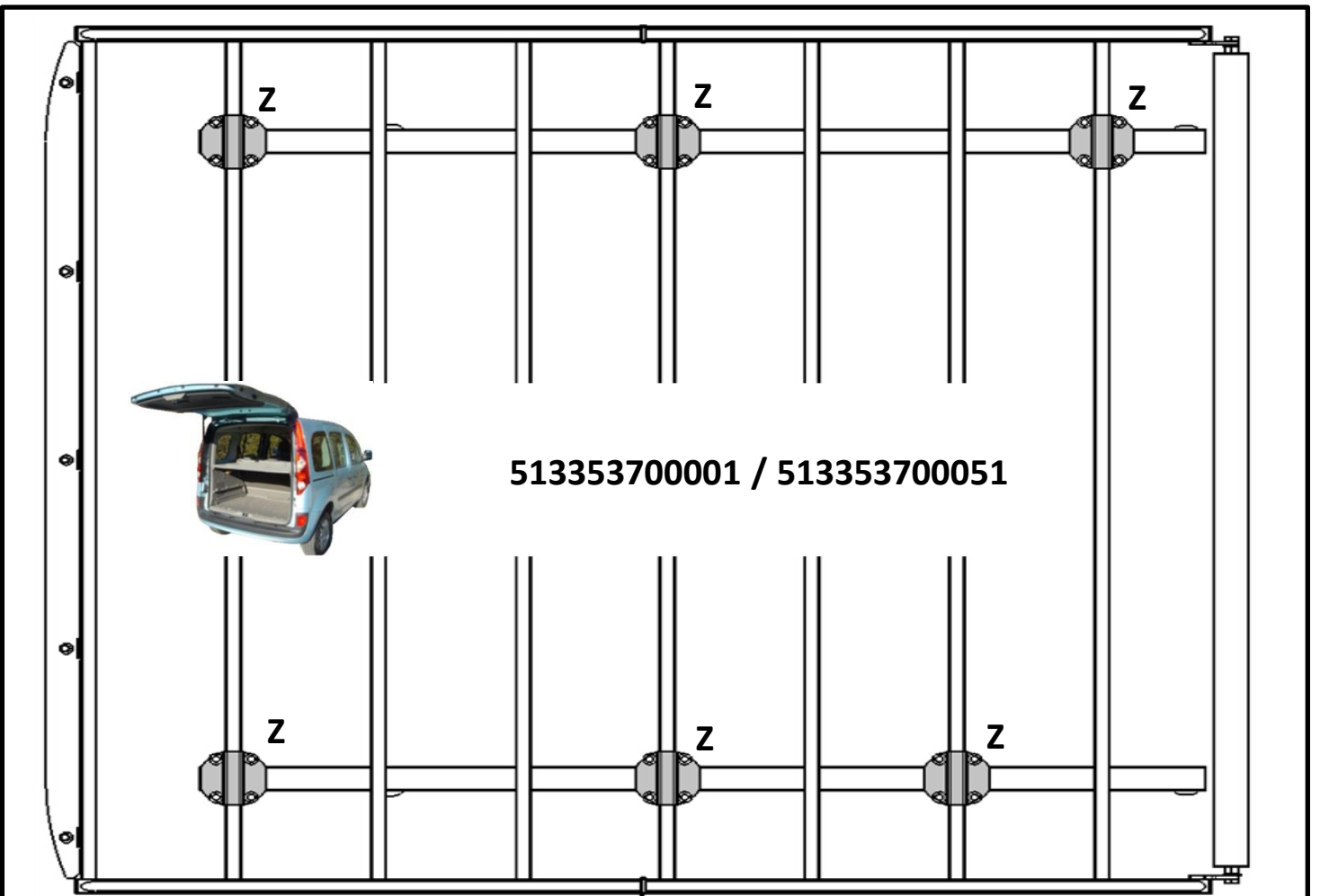
516268700001

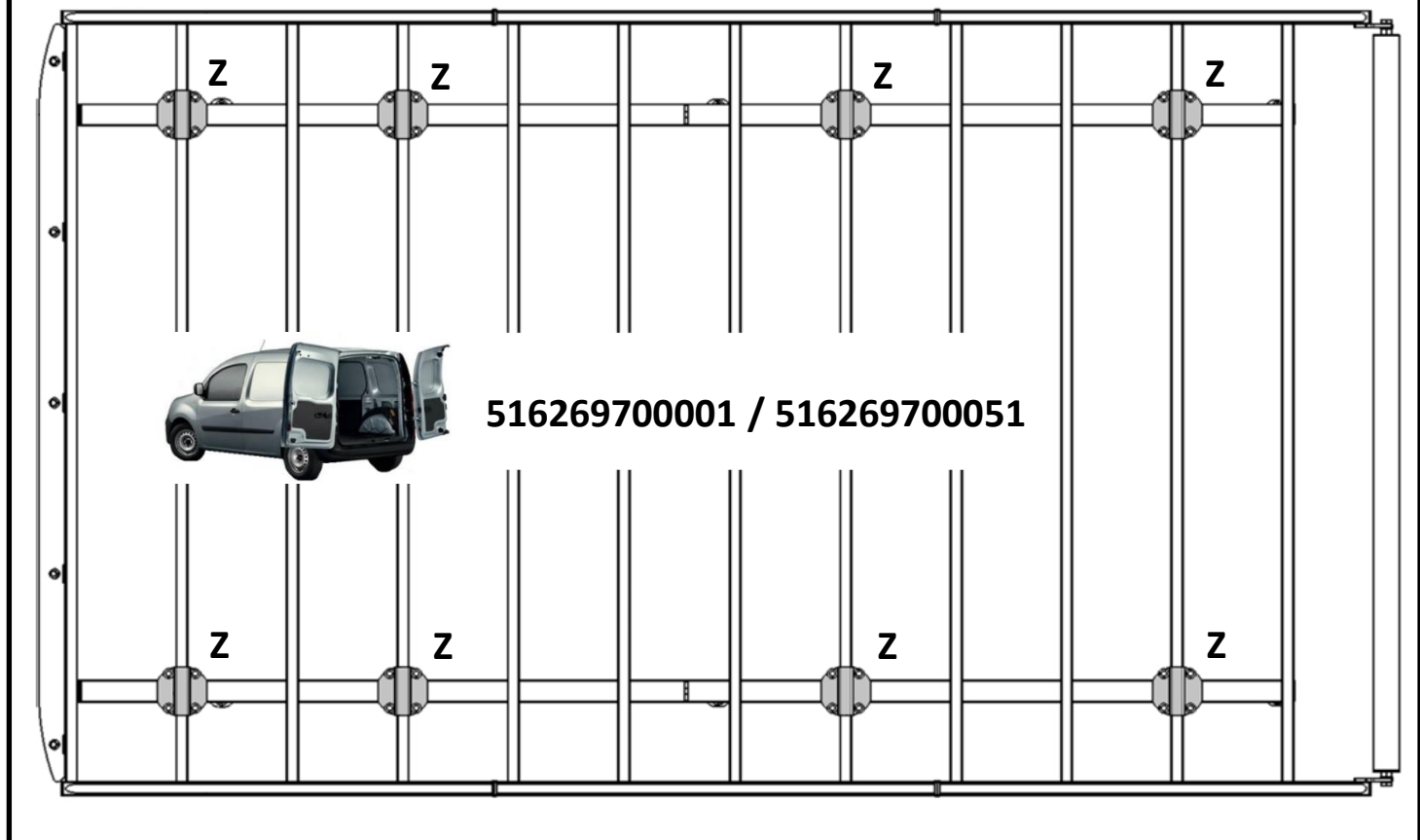
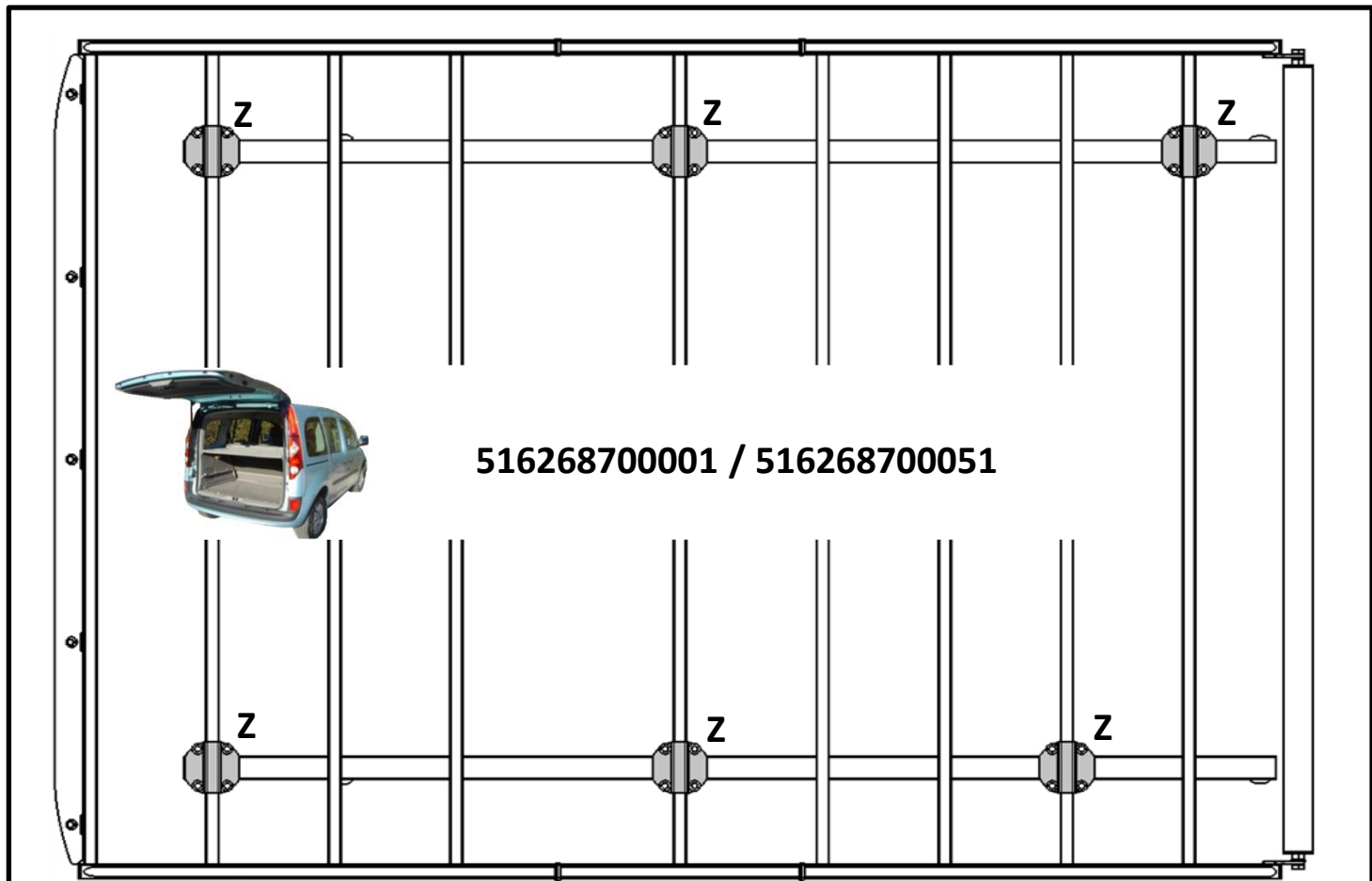
513353700001

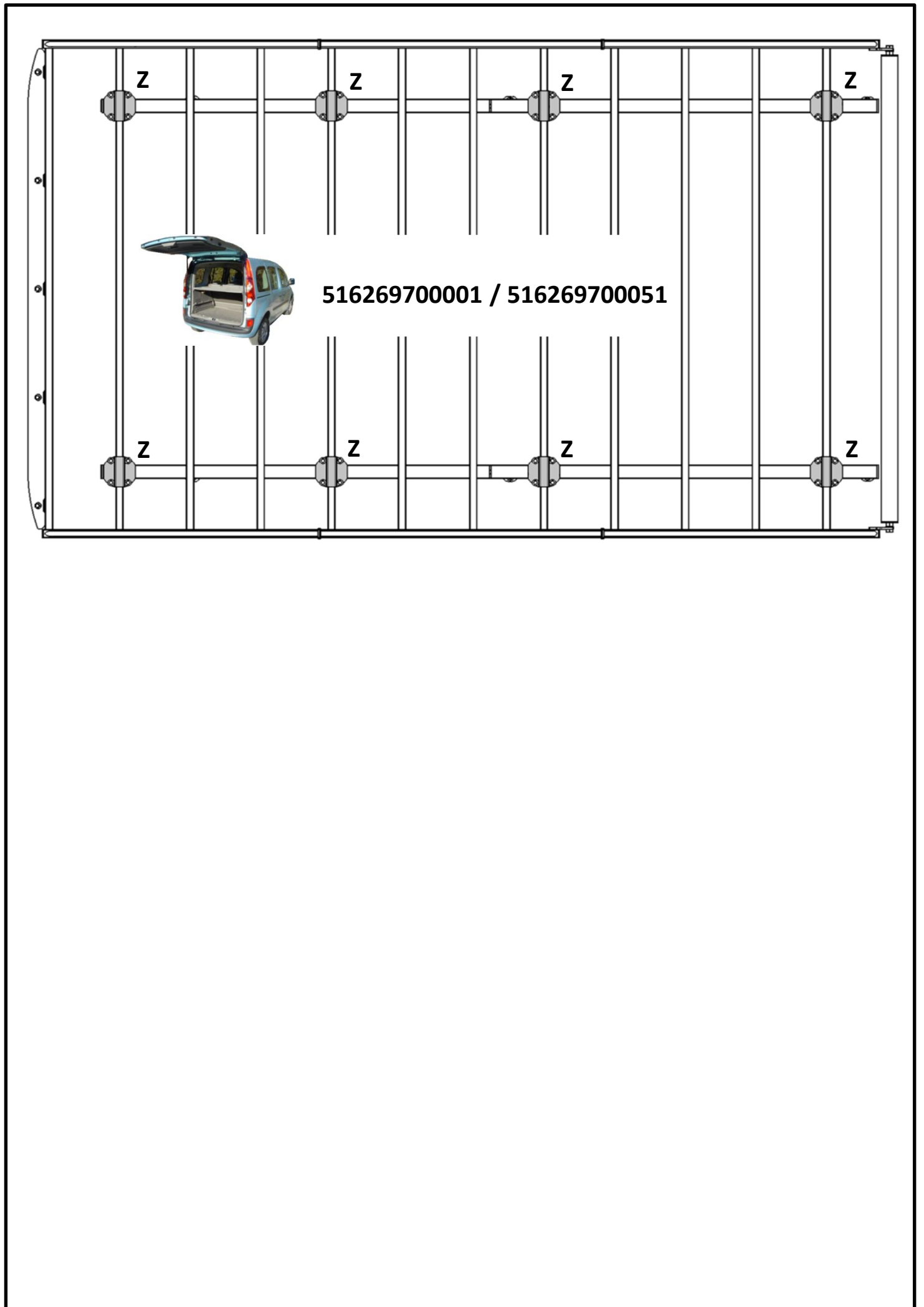












51626970001 / 51626970051