

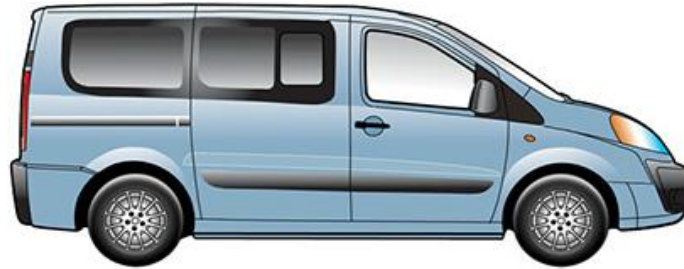


506331700001 / 506331700051

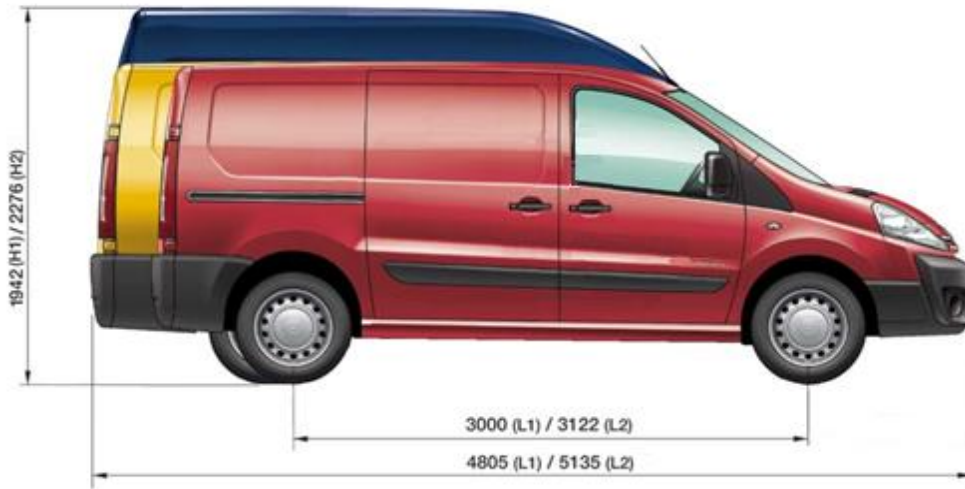
506333700001 / 506333700051

506332700001 / 506332700051

506364700001 / 506364700051



CITROEN JUMPY 2 - PEUGEOT EXPERT 2 - FIAT SCUDO 2 03/2007 >
TOYOTA PROACE 08/2013 >



L1 H1

506331700001 = 500001701003 + 500001700000 +
500001702004 + 506331700002

506331700051 = 500001701053 + 500001700050 +
500001702054 + 506331700052



L1 H1

506333700001 = 500001701003 + 500001702004 +
510042700002

506333700051 = 500001701053 + 500001702054 +
510042700052



L2 H1

506332700001 = 500001701003 + 500001702004 +
500001701004 + 506332700002

506332700051 = 500001701053 + 500001702054 +
500001701054 + 506332700052



L2 H1

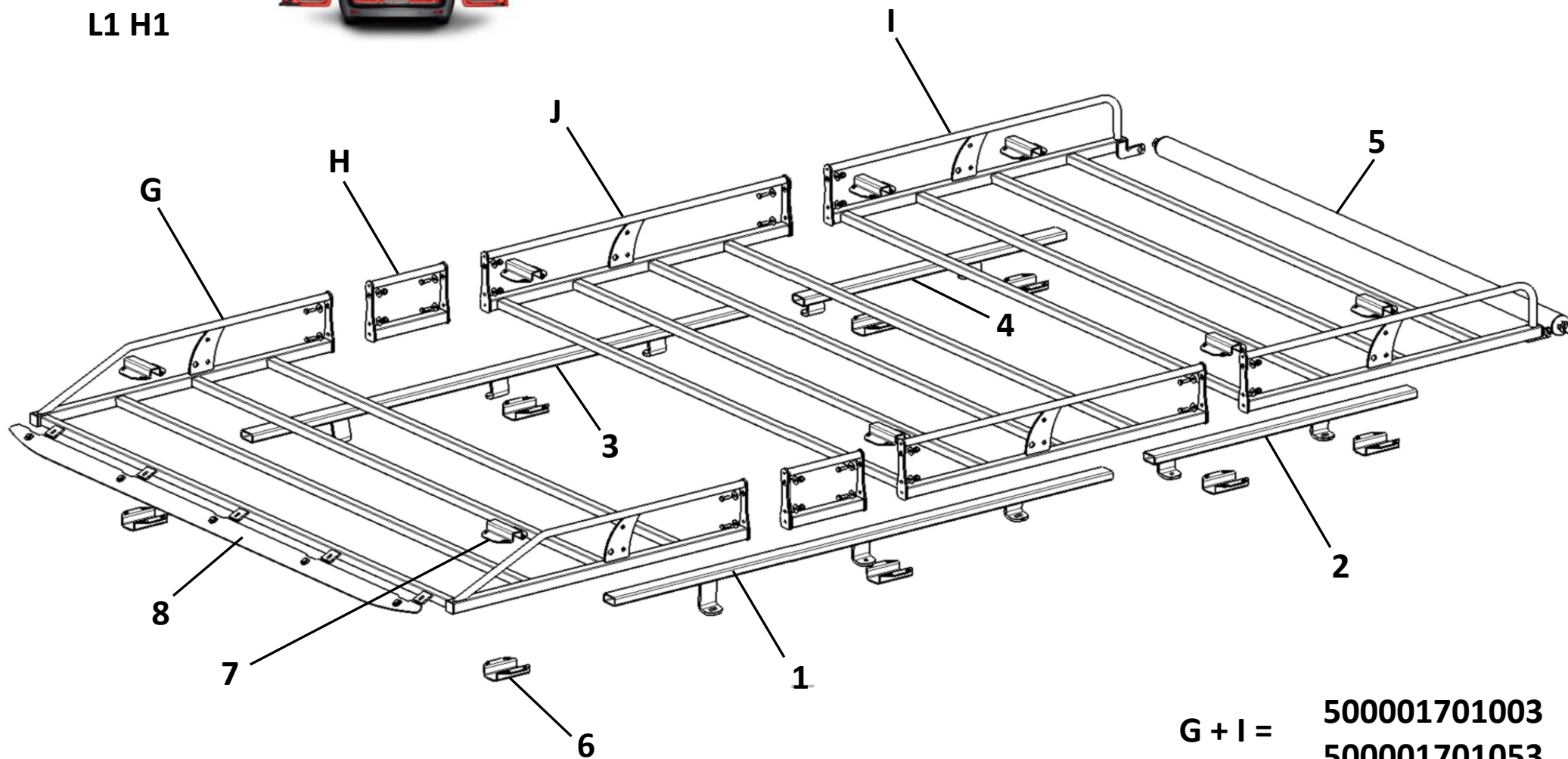
506364700001 = 500001701003 + 500001700000 +
500001702004 + 510046700002

506364700051 = 500001701053 + 500001700050 +
500001702054 + 510046700052

50633170001

50633170051

L1 H1



G + I = 500001701003
500001701053

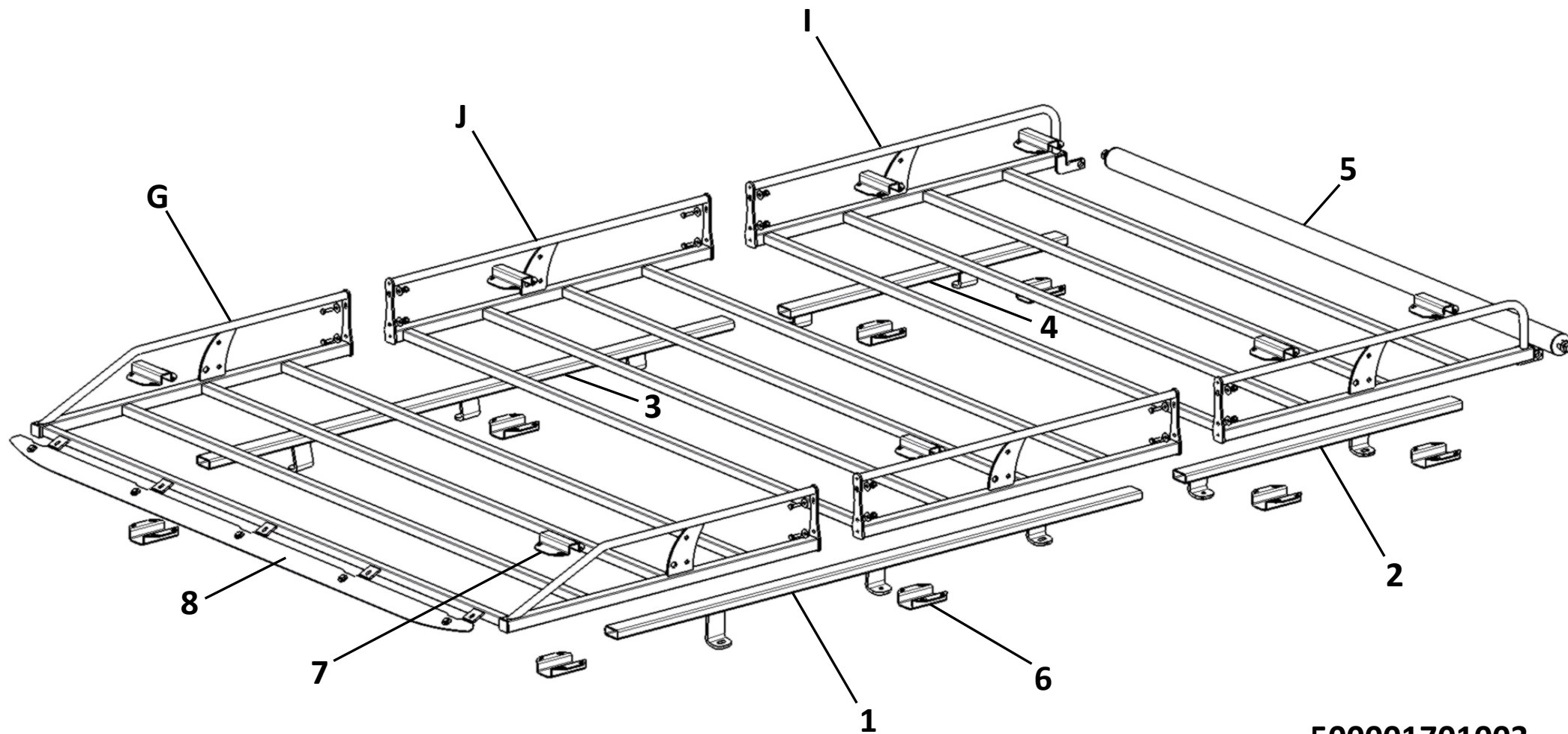
J = 500001702004
500001702054

H = 500001700000
500001700050

506333700001

506333700051

L1 H1

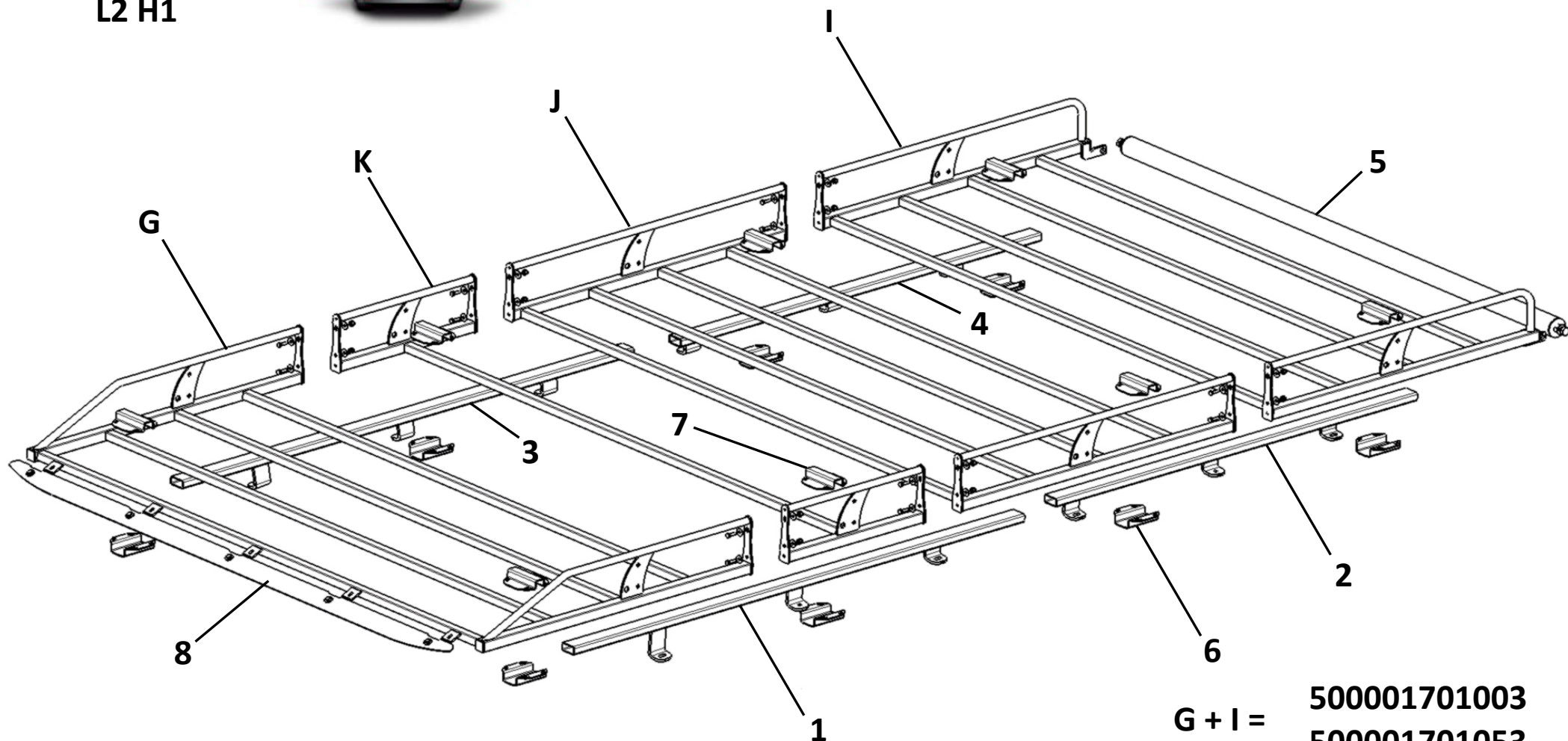


G + I = 500001701003
500001701053
J = 500001702004
500001702054

50633270001

506332700051

L2 H1



G + I = 50001701003

50001701053

J = 50001702004

50001702054

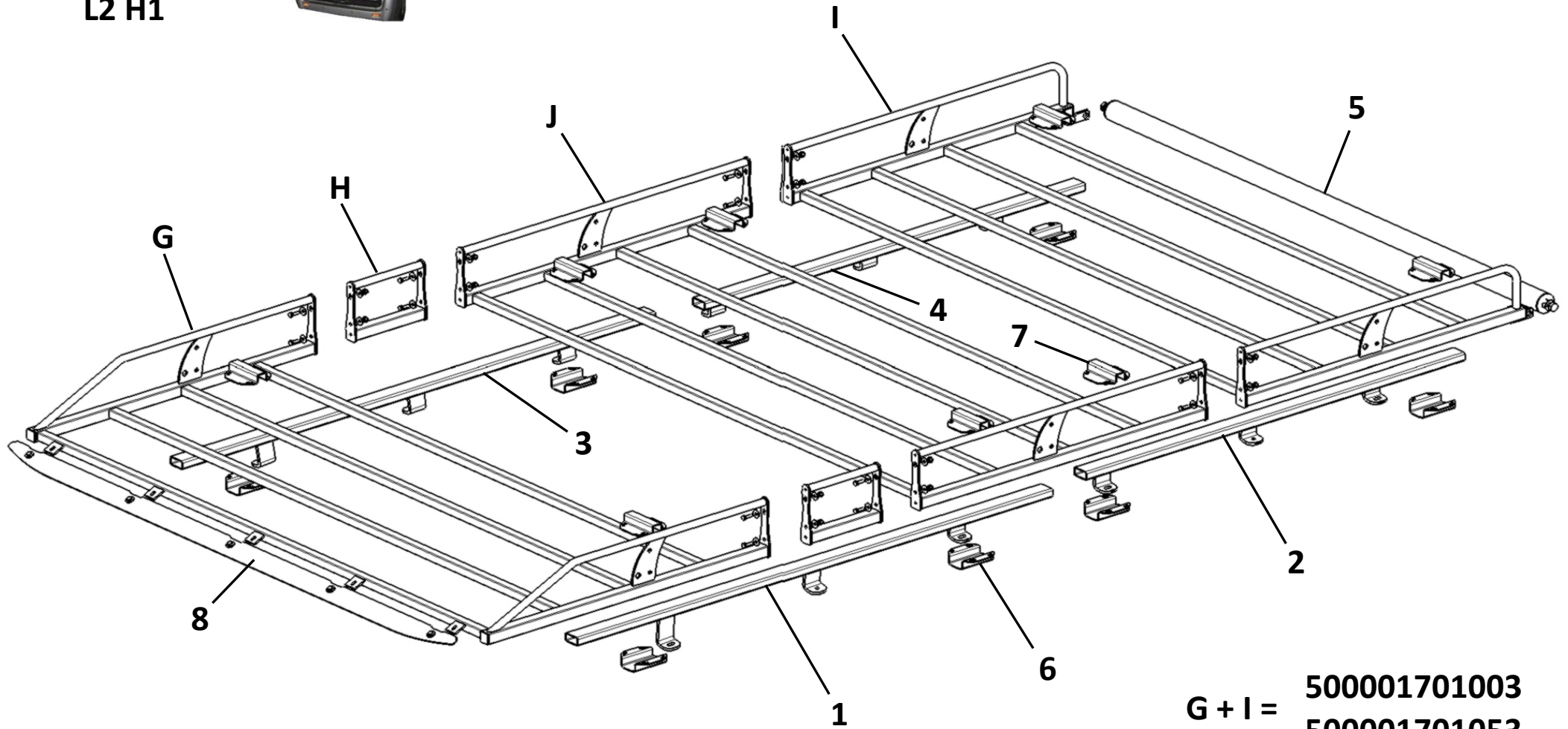
K = 50001701004

50001701054

50636470001

506364700051

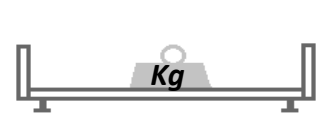
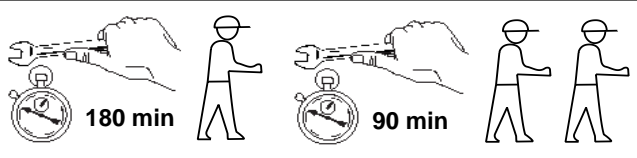
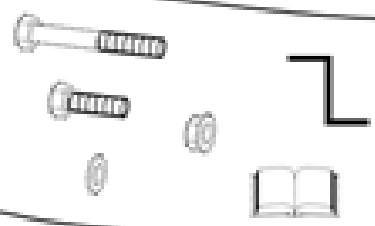
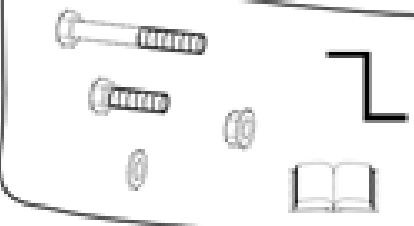
L2 H1



G + I = 500001701003
500001701053
J = 500001702004
500001702054
H = 500001700000
500001700000

506331700002 506331700052
506332700002 506332700052

510042700002 510042700052
510046700002 510046700052



L1 = 100 Kg
L2 = 100 Kg

Y

- HM 6 x 20 Cl 8.8 8 Nm
- CS 6 x 16
- 20 x 6 x 3
- 20 x 16 x 6 M6

V

- HM 6 x 20 Cl 8.8 8 Nm
- L 6 x 16
- M6 Cl 8

X

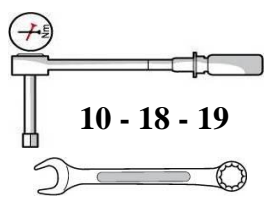
- HM 6 x 20 Cl 8.8 8 Nm
- L 6 x 16
- M6 Cl 8

Z

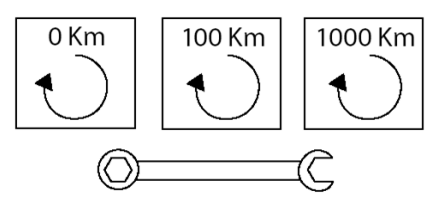
- HM 6 x 20 Cl 8.8 8 Nm
- L 6 x 16
- M6 Cl 8
- 40 mm
- 20 mm

W

- HM 12 x 50 Cl 8.8 80 Nm
- CS 12
- M12 Cl 8
- 45 x 40 x 10



10 - 18 - 19



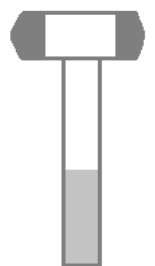
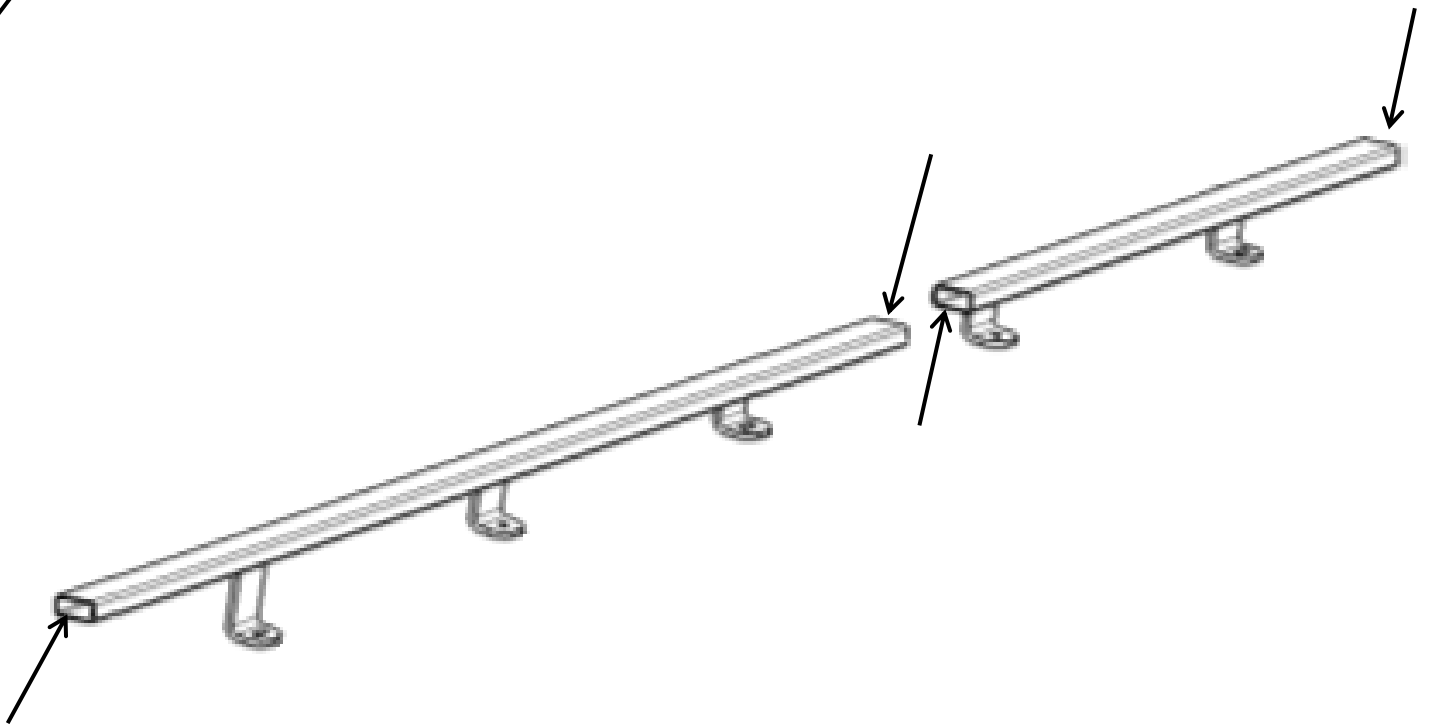
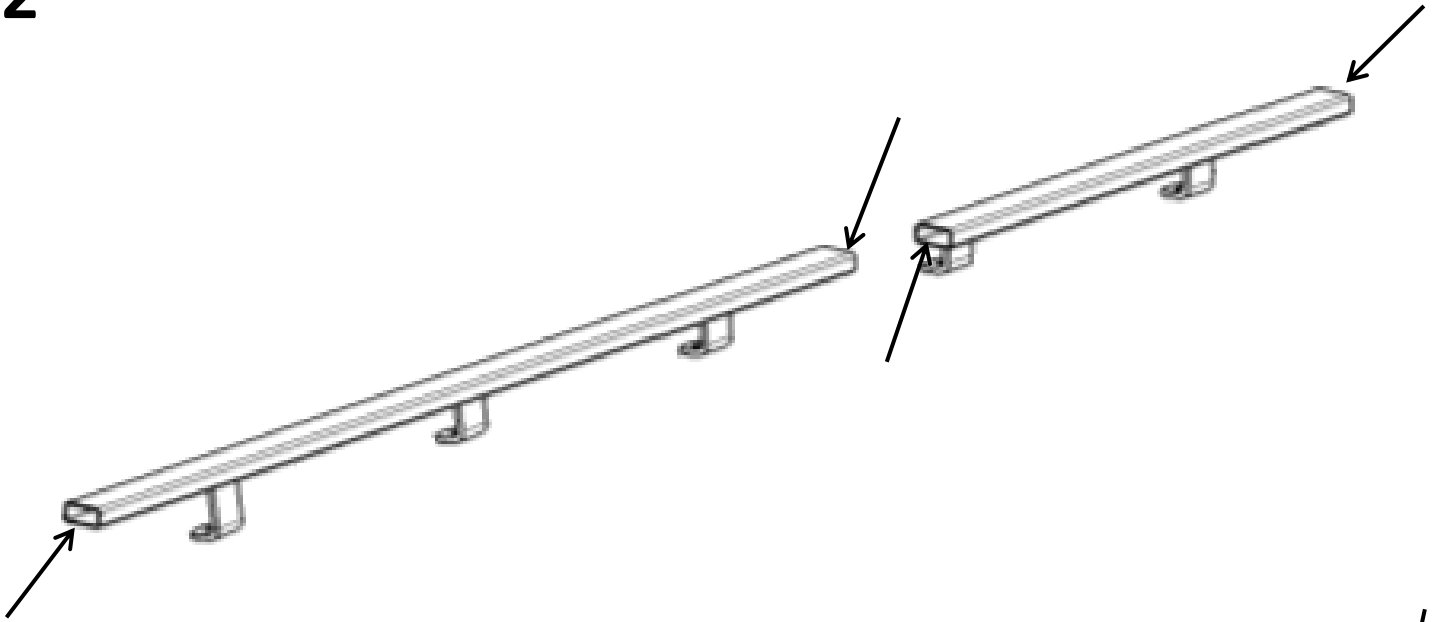
1

L1 : x 10
L2 : x 12

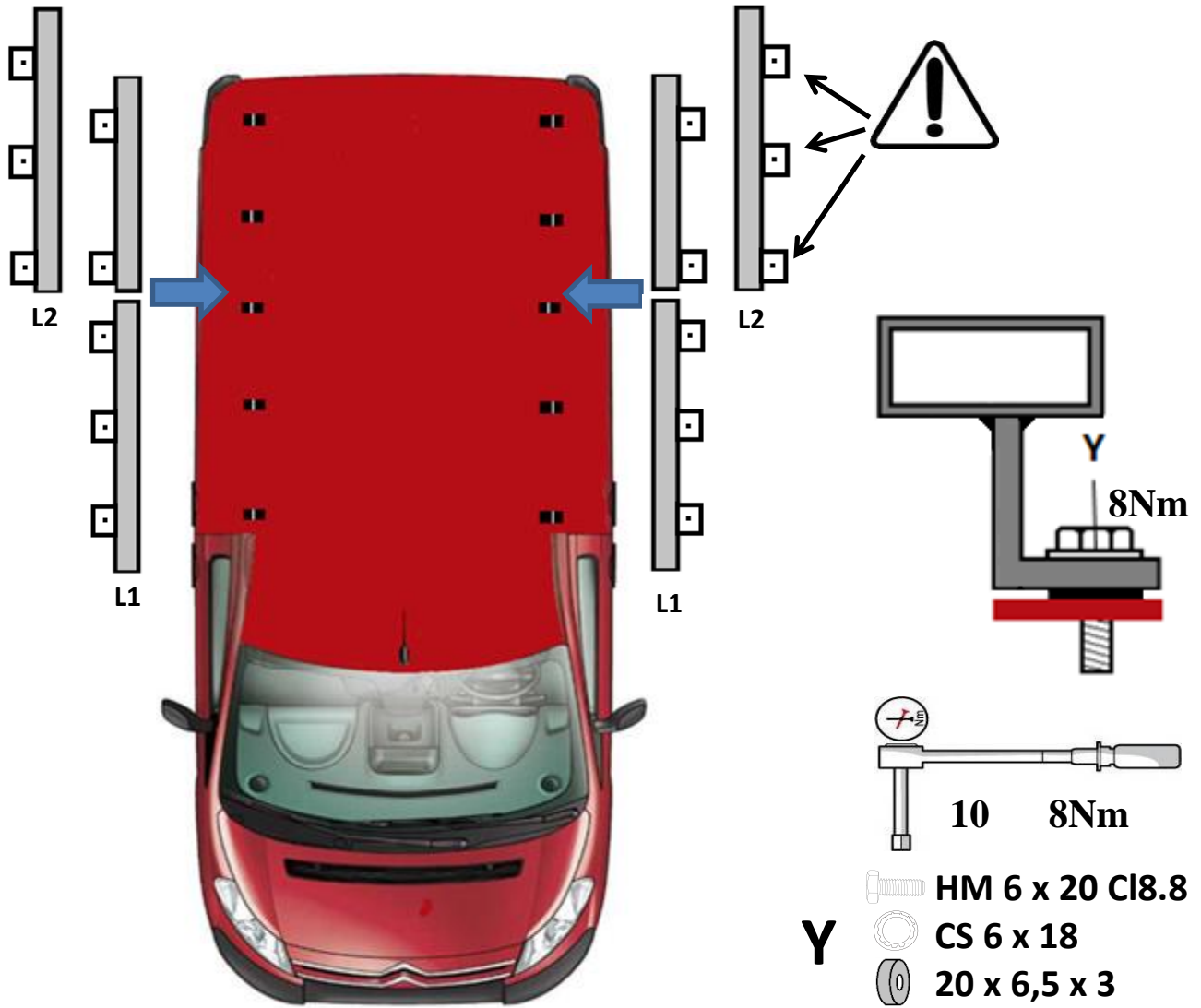
Y

20 x 16 x 6 M6

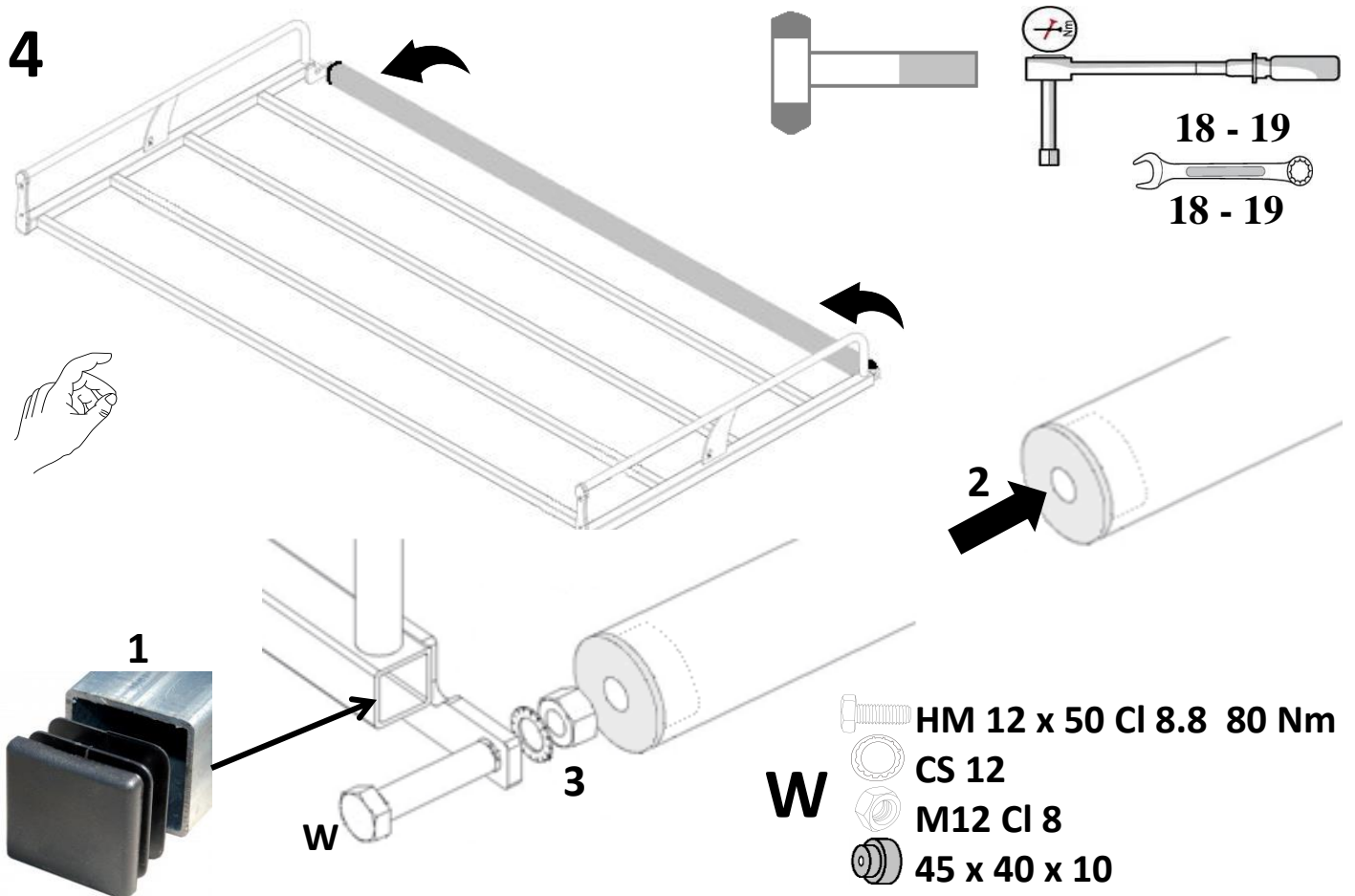
2



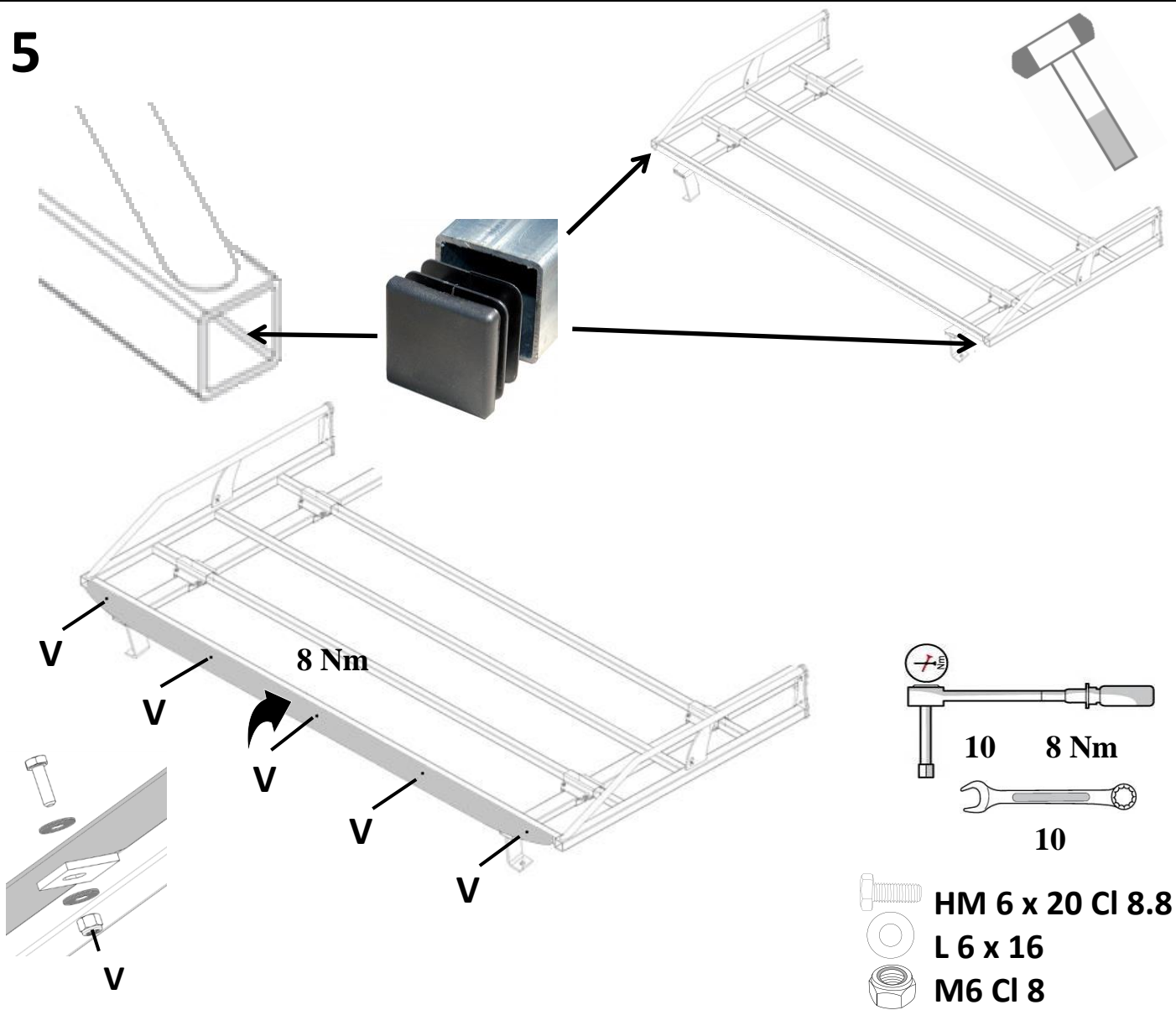
3



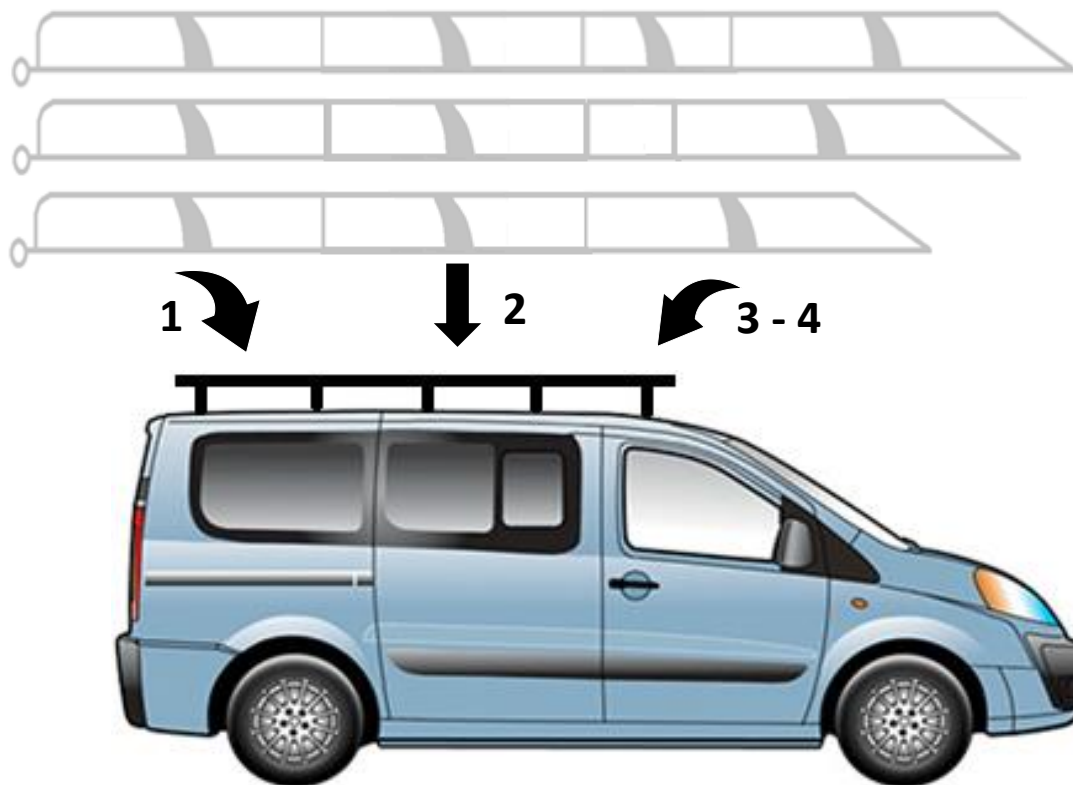
4



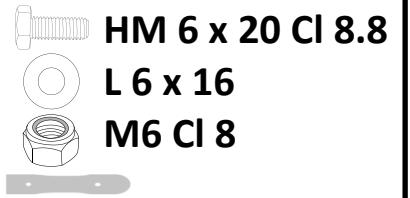
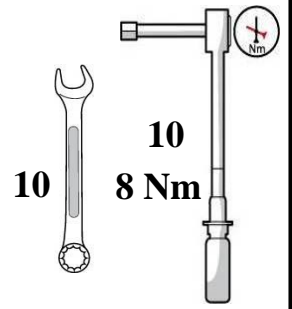
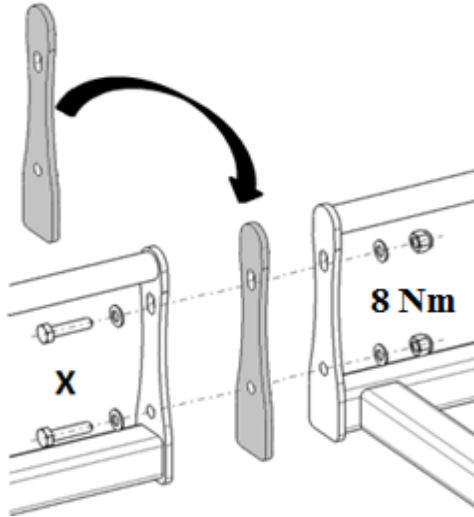
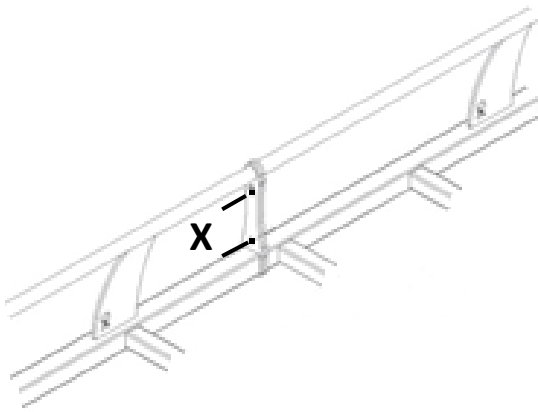
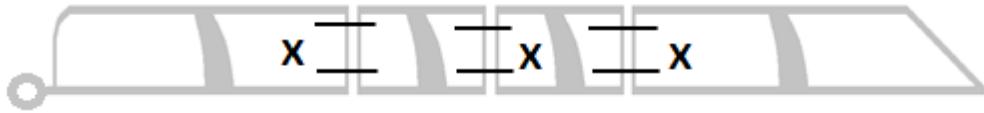
5



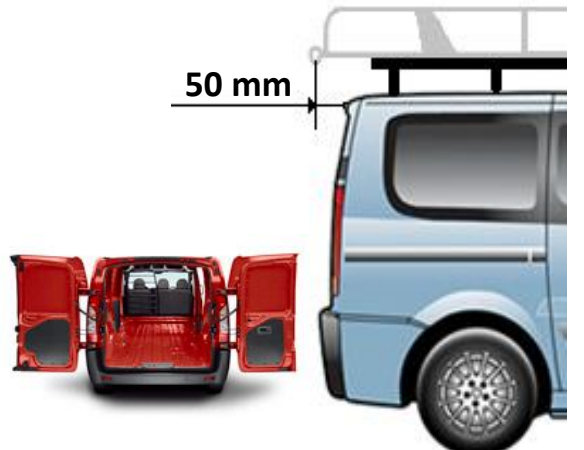
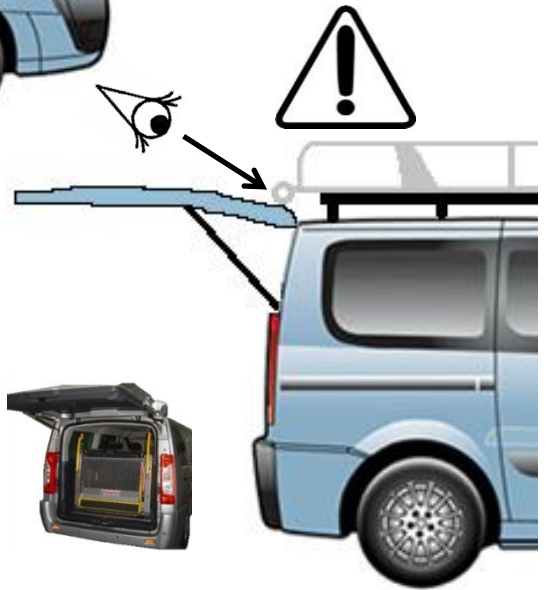
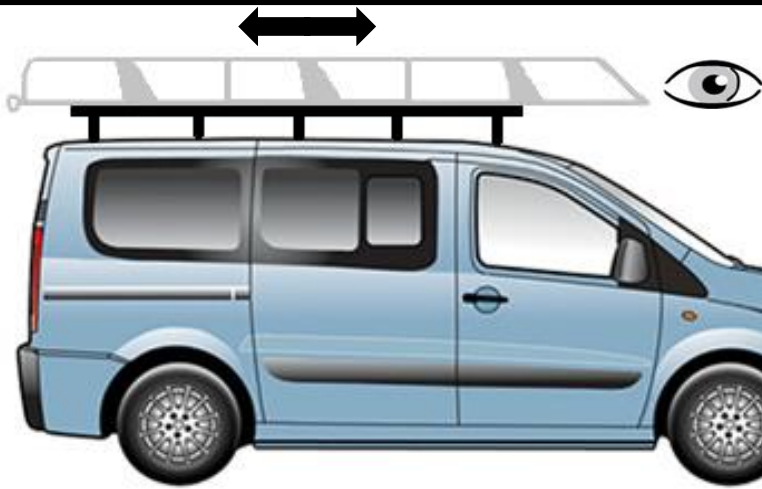
6



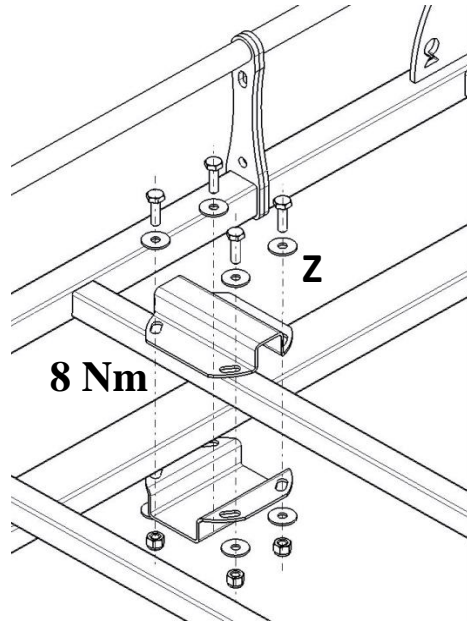
7



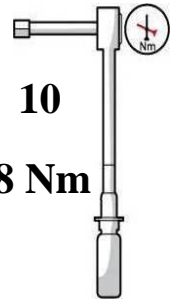
8



9



10



10

8 Nm

Z



HM 6 x 20 Cl 8.8



L 6 x 16



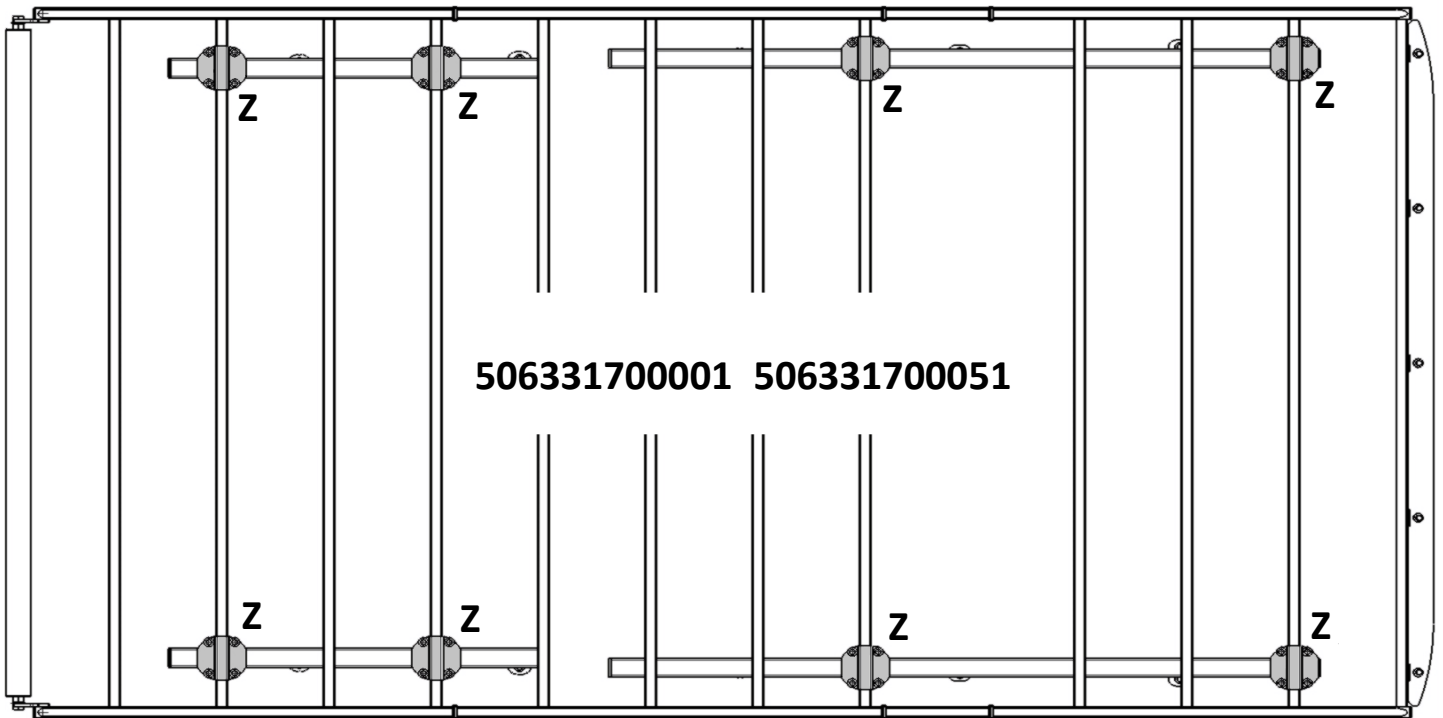
M6 Cl 8



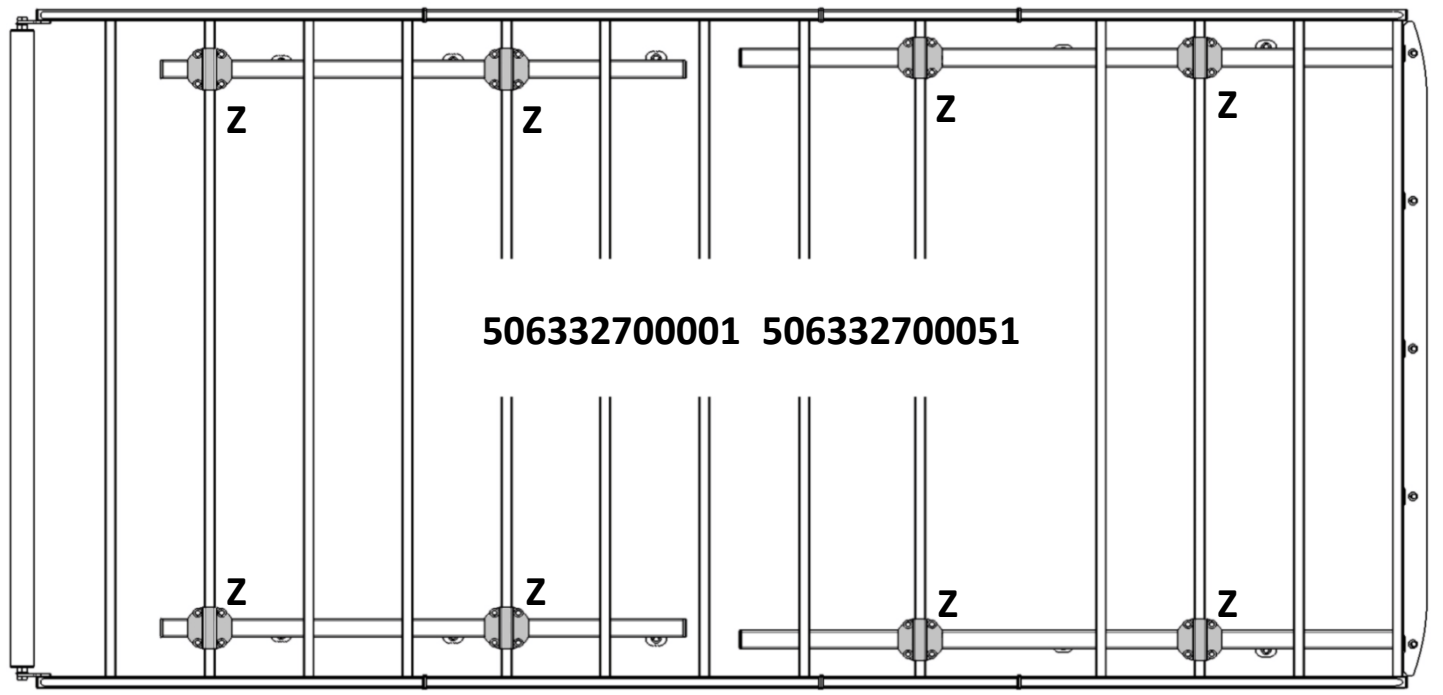
40 mm



20 mm



50633170001 506331700051



50633270001 506332700051

