




**CITROEN NEMO - PEUGEOT BIPPER - FIAT FIORINO 02/2008 >**

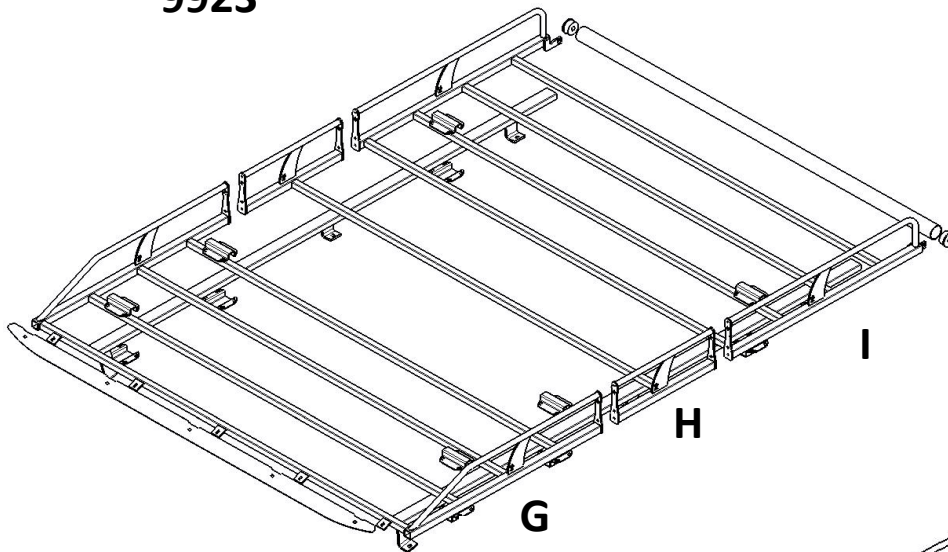


**506349700001**  
**9923**

**G + I = 500001701003** →   
**H = 500001700004** →  
**K = 500001700000** →

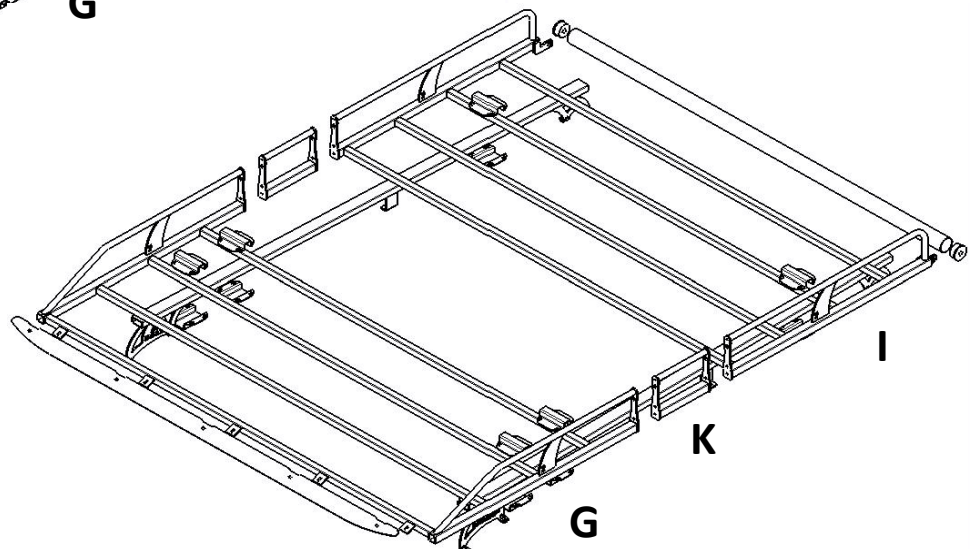


**506350700001**  
**9924**



**506349700001**  
**9923**

**506350700001**  
**9924**

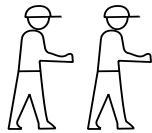




180 min



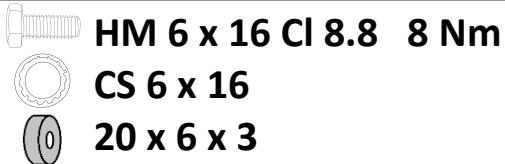
90 min



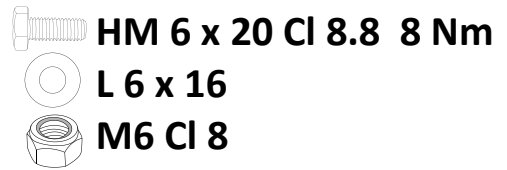
9923 = 75 Kg

9924 = 75 Kg

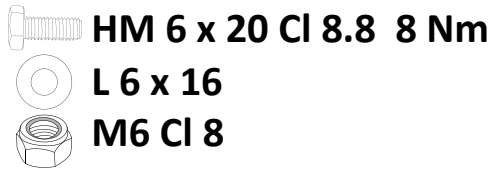
**Y**



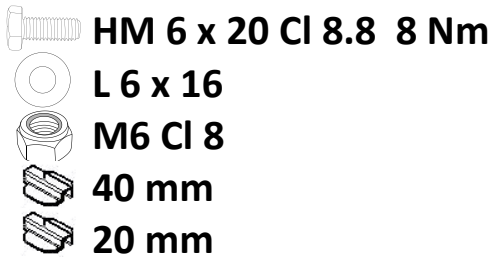
**V**



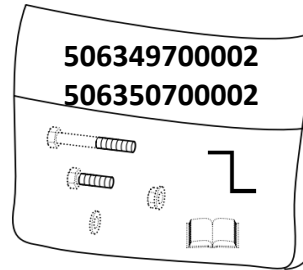
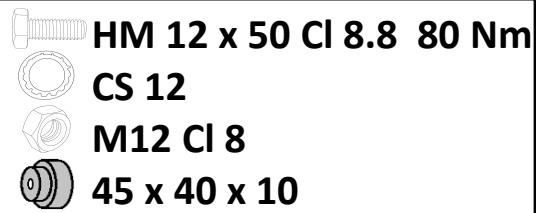
**X**



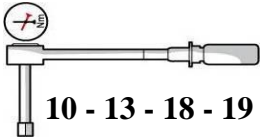
**Z**



**W**



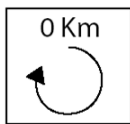
506349700002  
506350700002



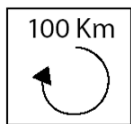
10 - 13 - 18 - 19



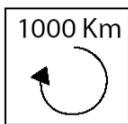
10 - 13 - 18 - 19



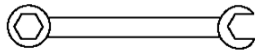
0 Km



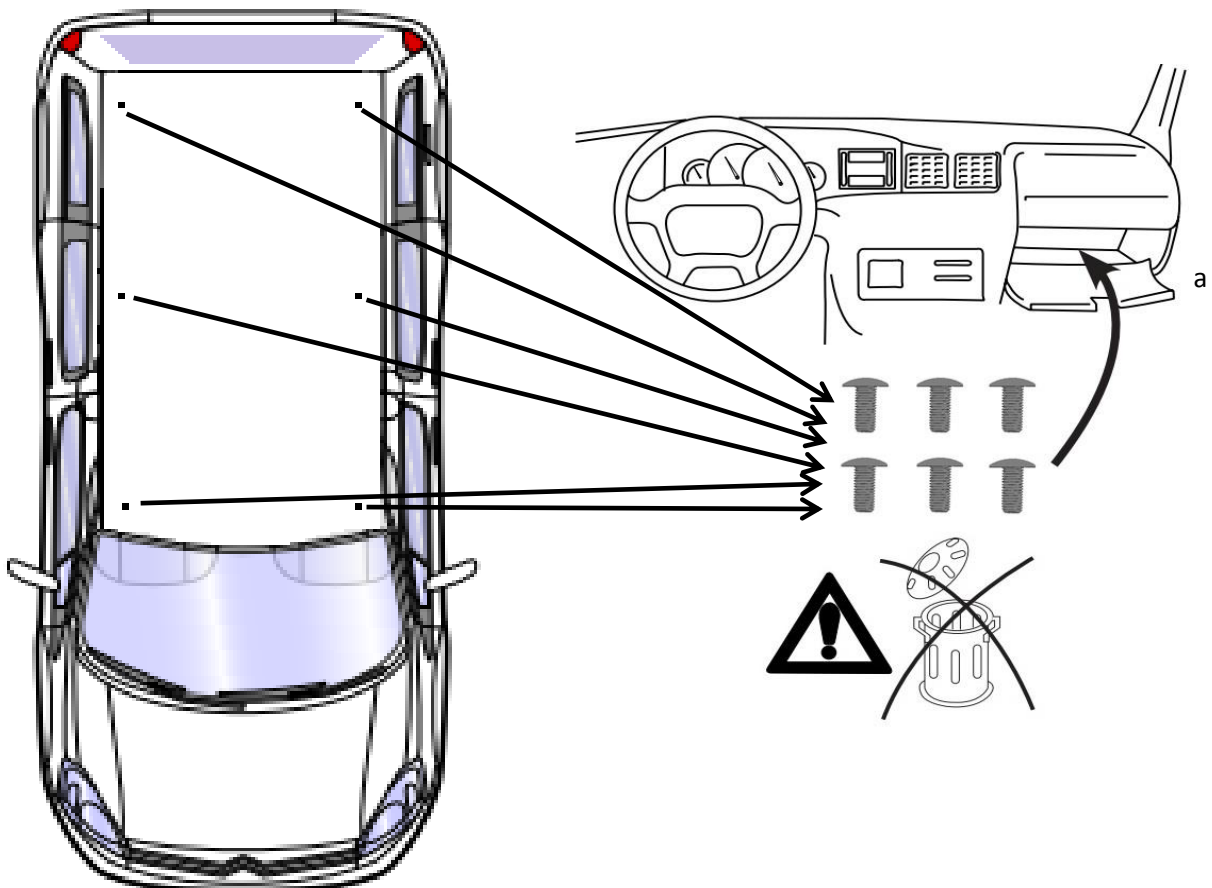
100 Km



1000 Km

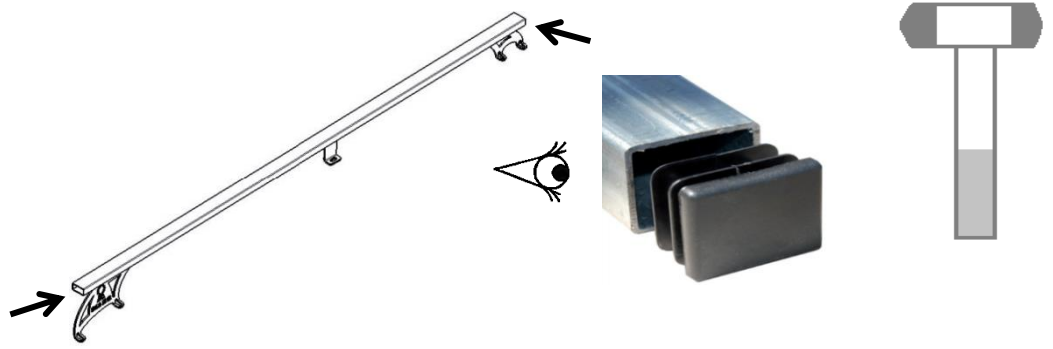


**1**

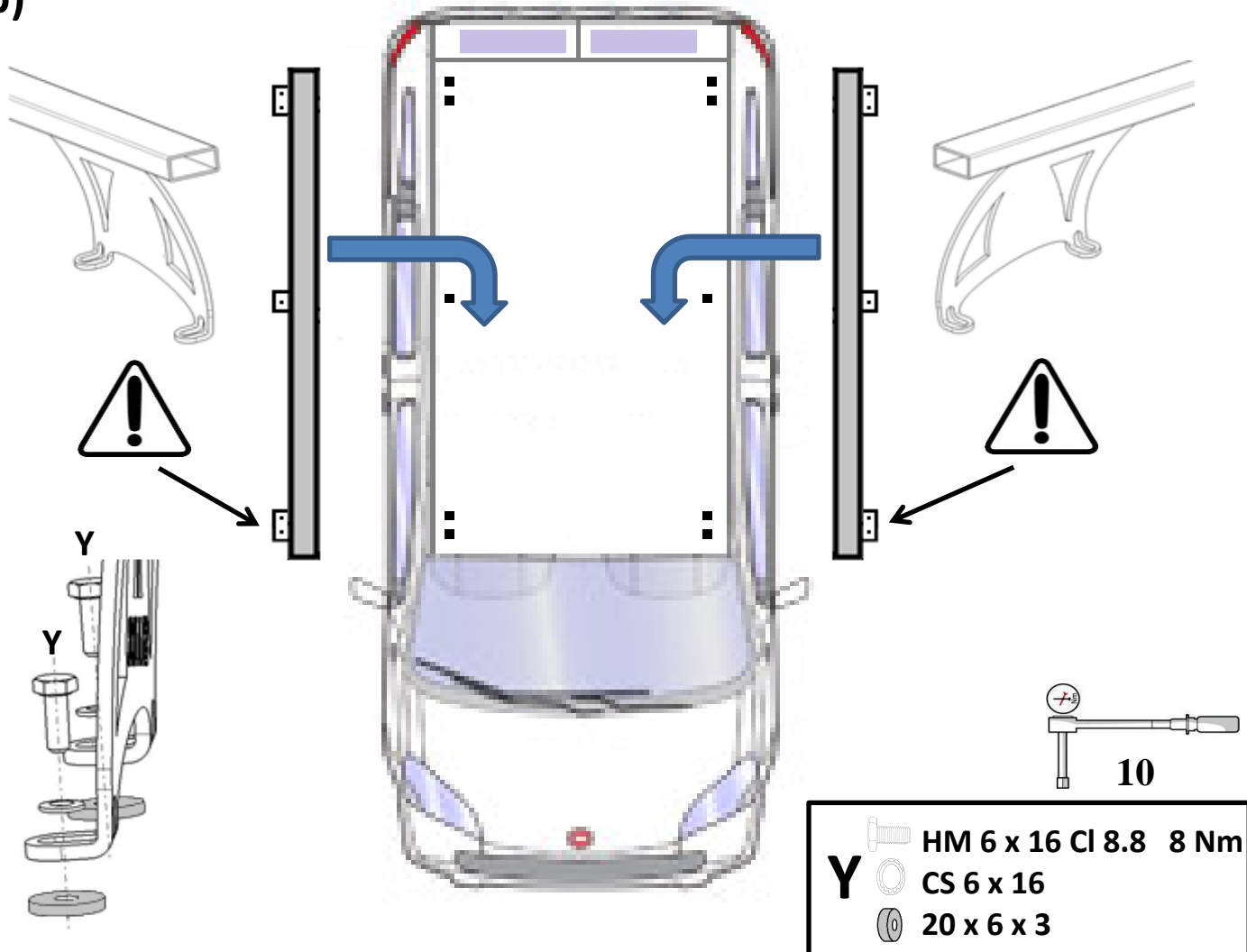


2

a)

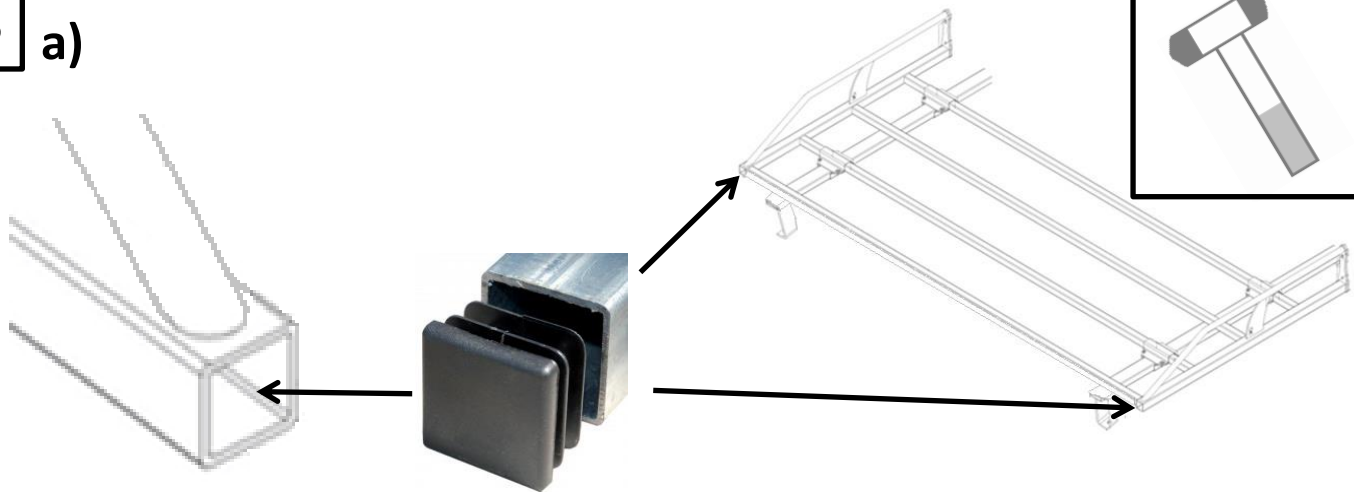


b)

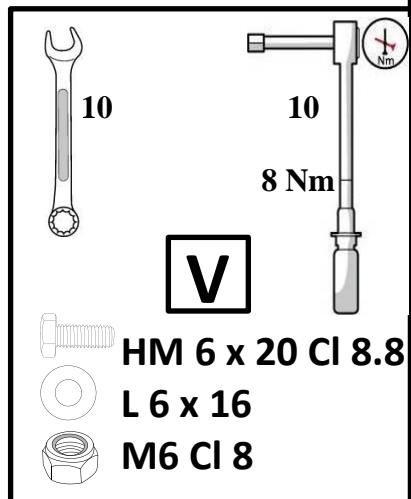
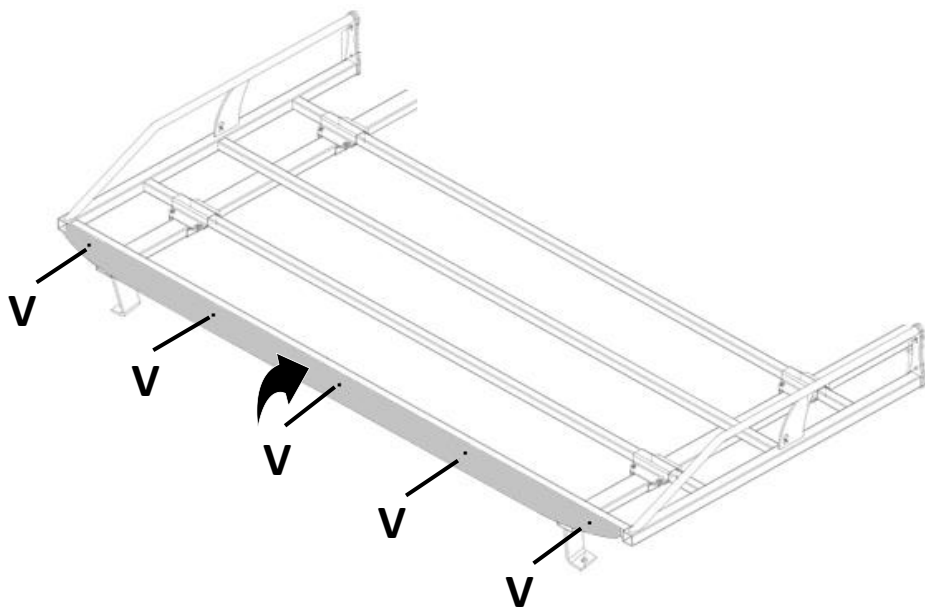


**3**

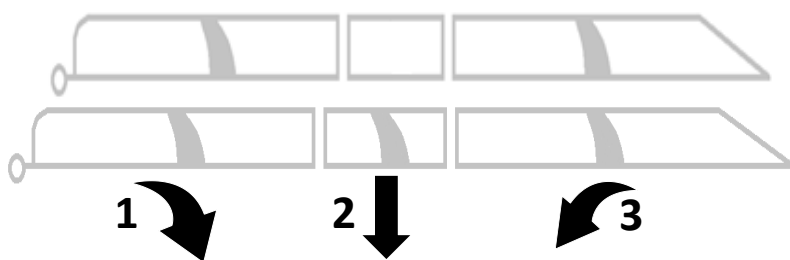
a)



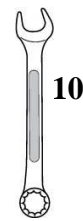
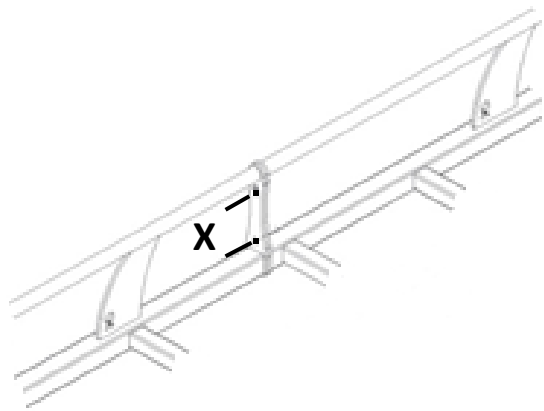
b)



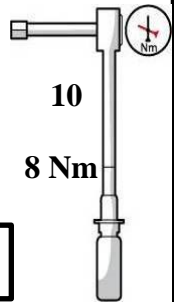
**4**



5



10



10

8 Nm



HM 6 x 20 CI 8.8



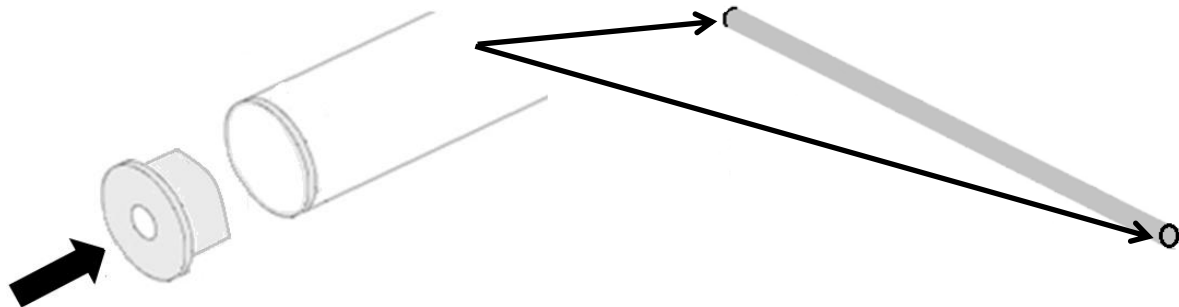
L 6 x 16



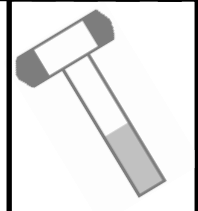
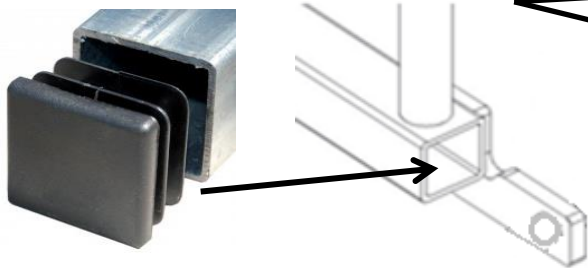
M6 CI 8

6

a)

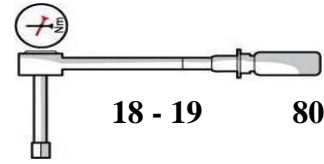
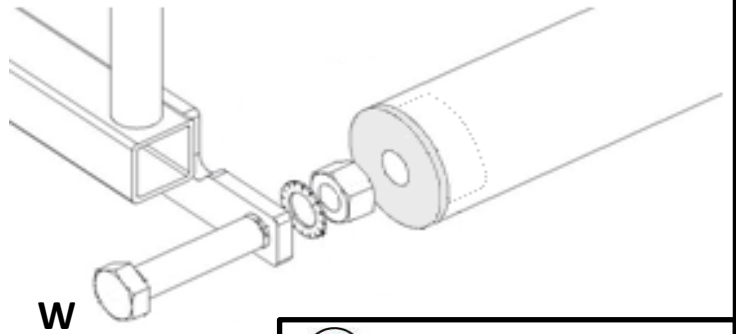
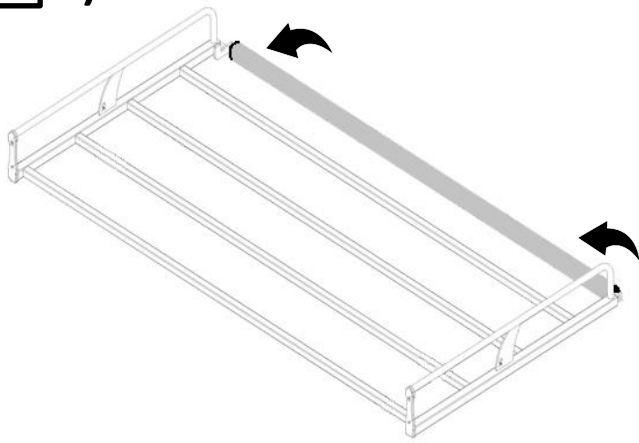


b)



6

c)



18 - 19

80 Nm



18 - 19

**W**



HM 12 x 50 Cl 8.8



CS 12



M12 Cl 8

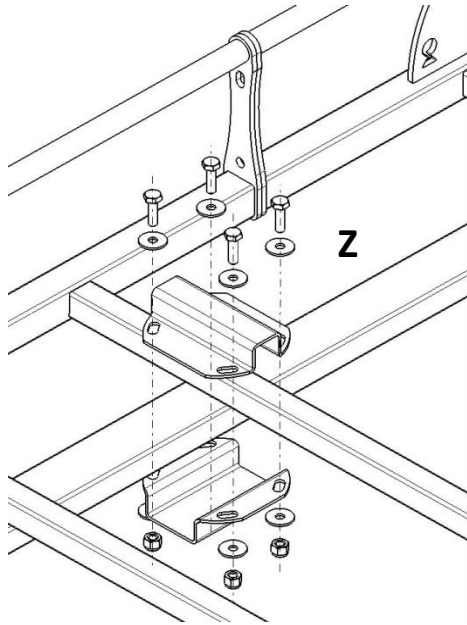
7



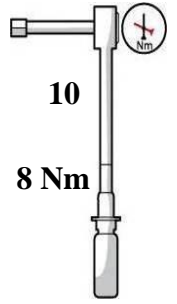
50 mm



8



10



10

8 Nm



HM 6 x 20 CI 8.8



L 6 x 16



M6 CI 8

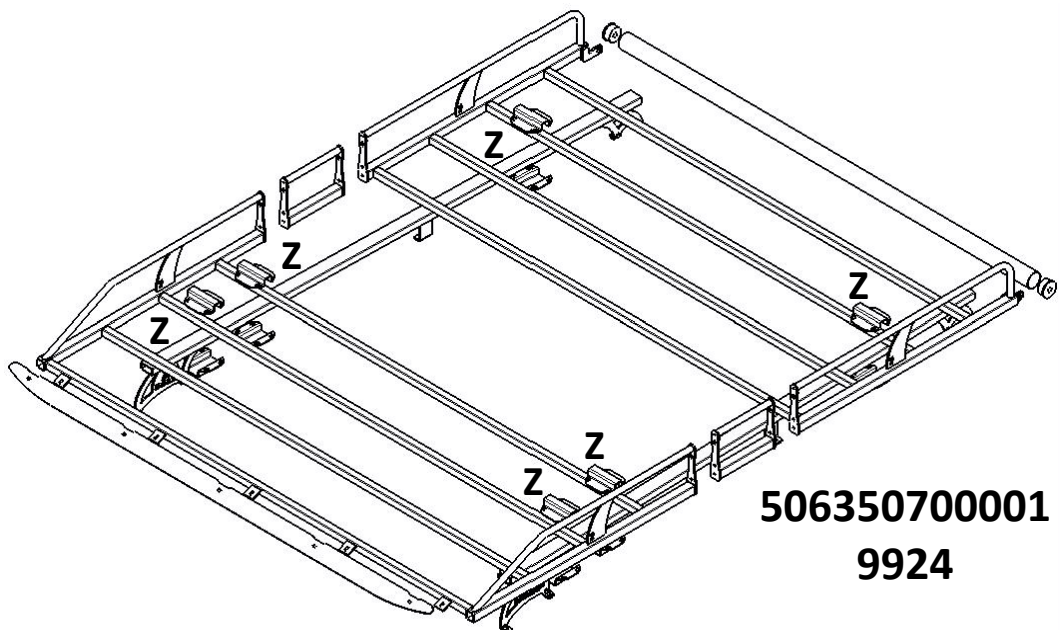
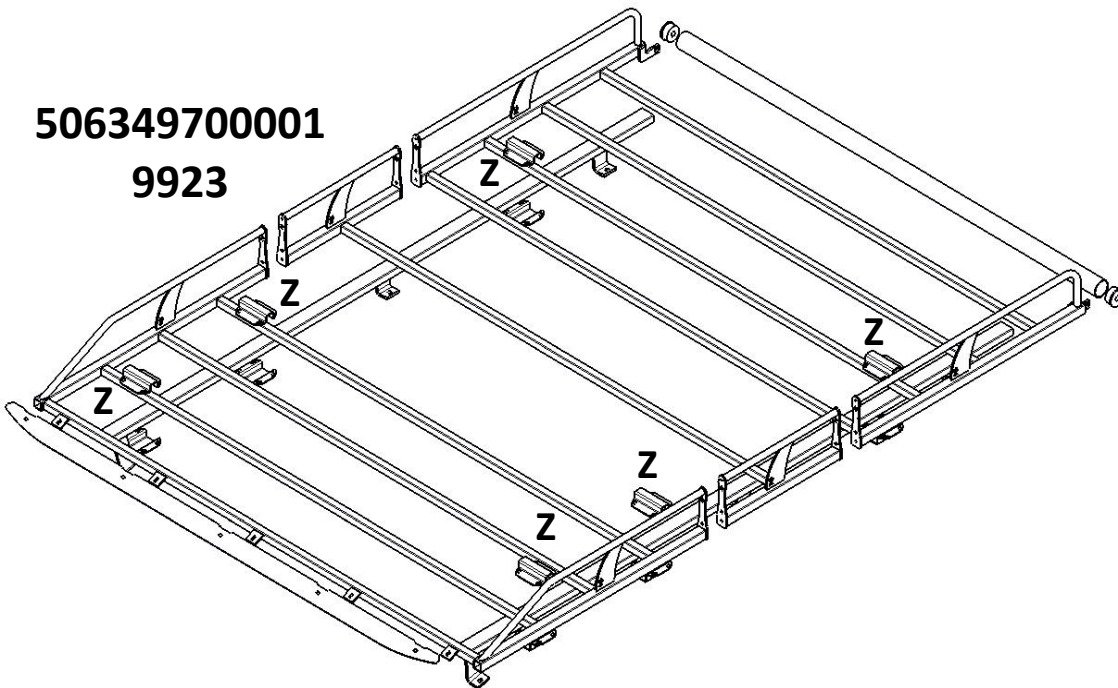


40 mm



20 mm

506349700001  
9923



506350700001  
9924