

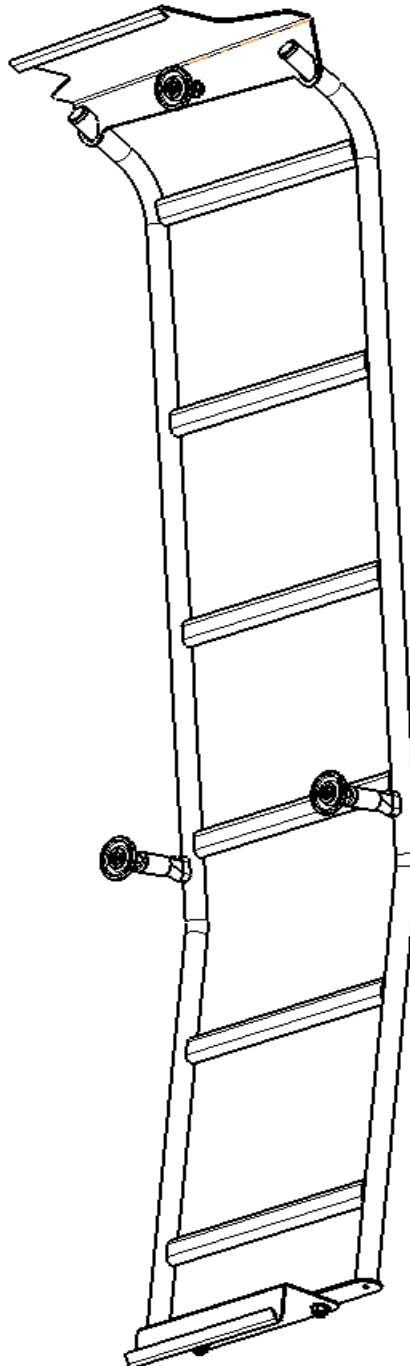
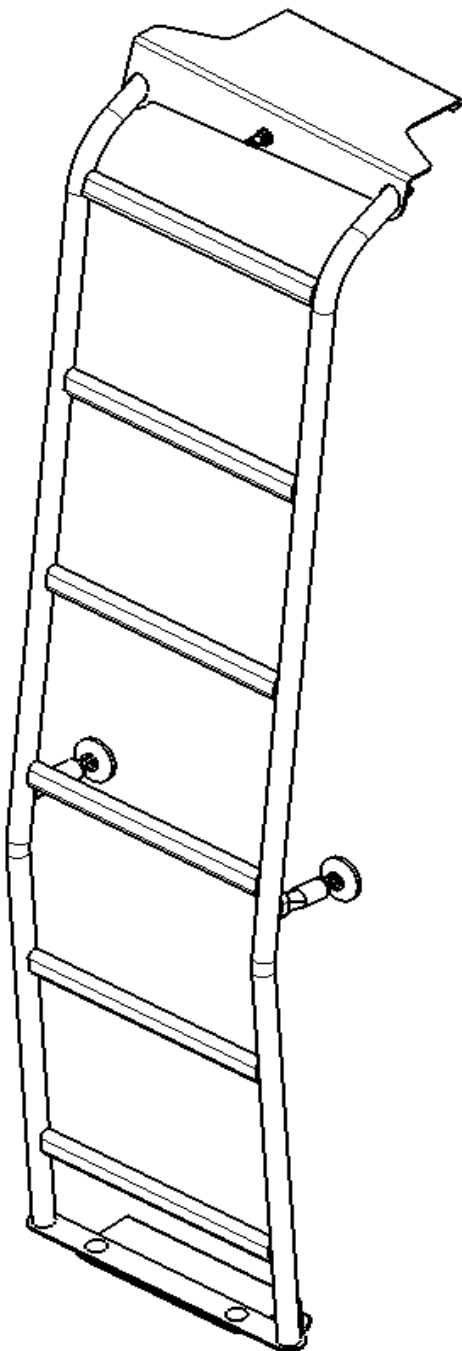


**siarr**  
WESTFALIA AUTOMOTIVE

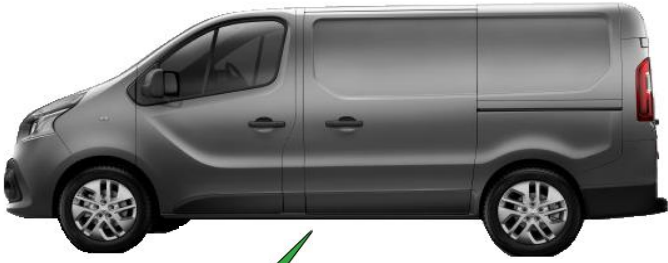
**10092 - 10093**



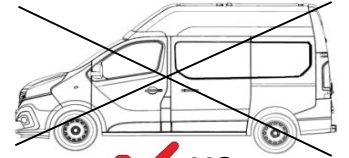
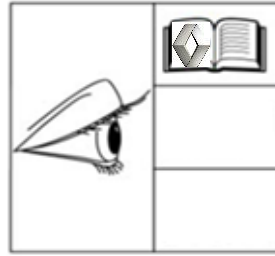
**RENAULT TRAFIC 09/2014 >**  
**OPEL VIVARO 09/2014 >**



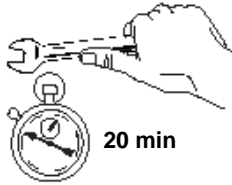
**10092 - 10093**  
**H1**



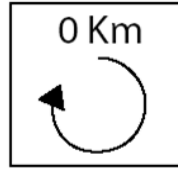
H1



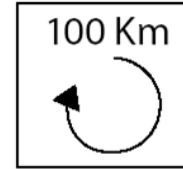
H2



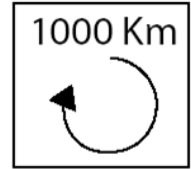
20 min



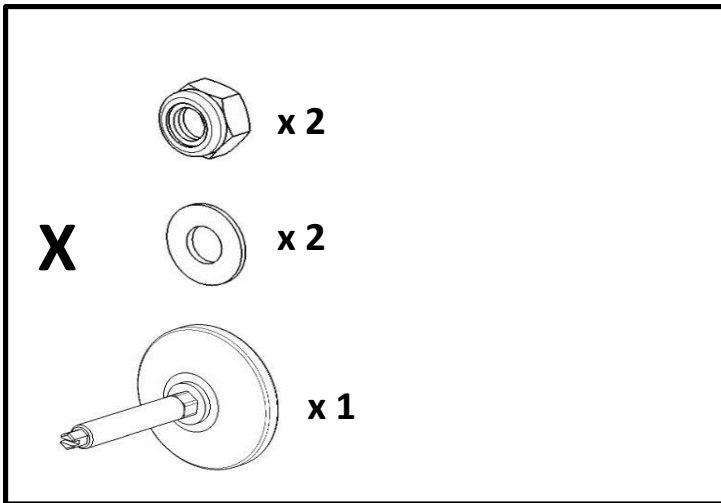
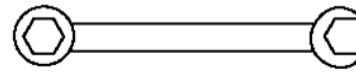
0 Km



100 Km



1000 Km



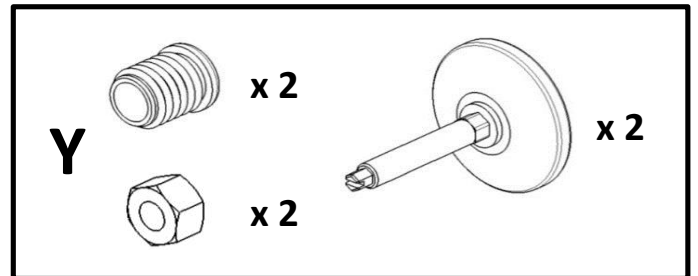
x 2

x 2

x 1



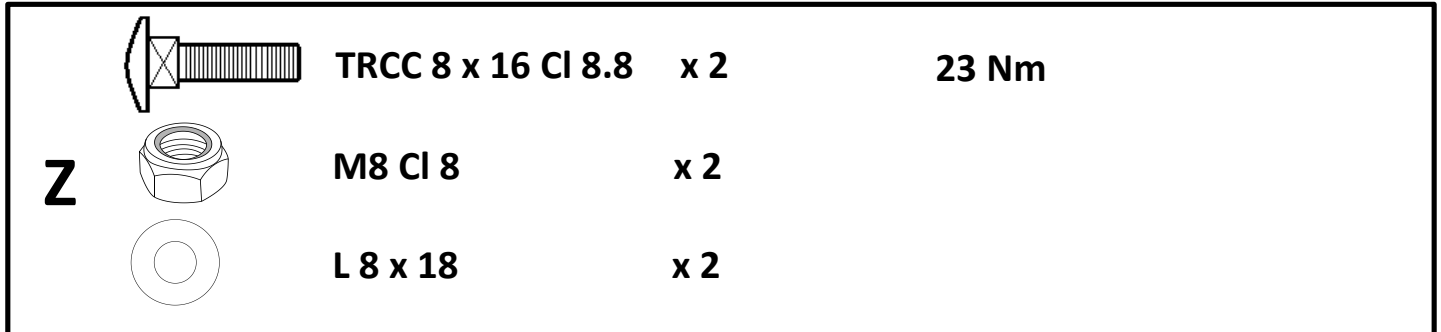
160 x 220



x 2

x 2

x 2

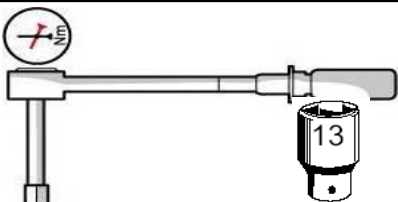
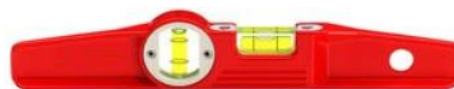
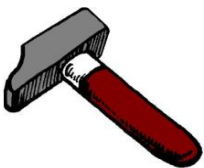


TRCC 8 x 16 Cl 8.8 x 2

23 Nm

M8 Cl 8 x 2

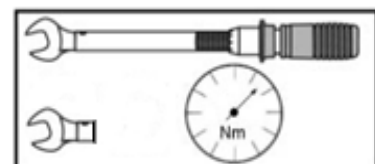
L 8 x 18 x 2



13



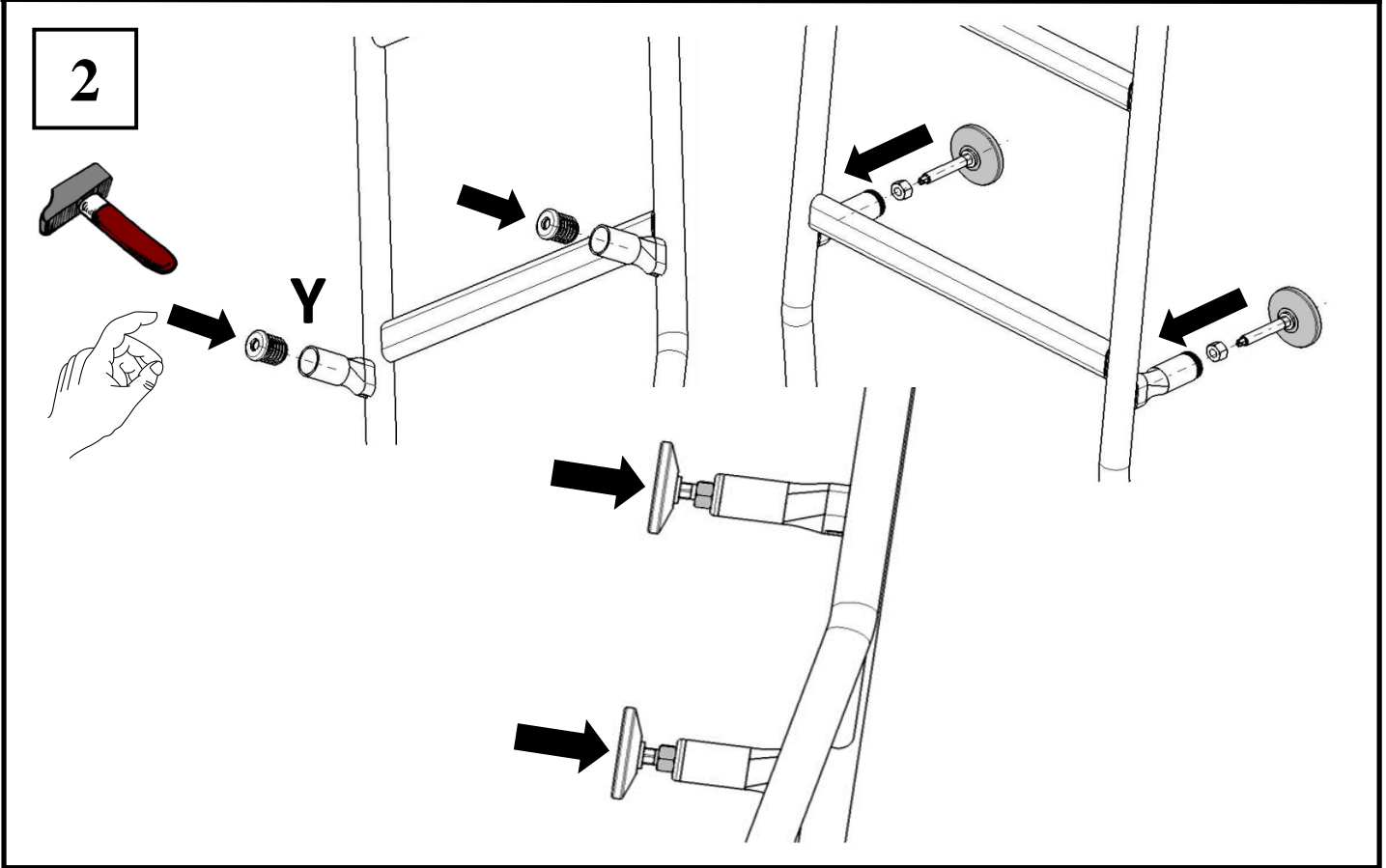
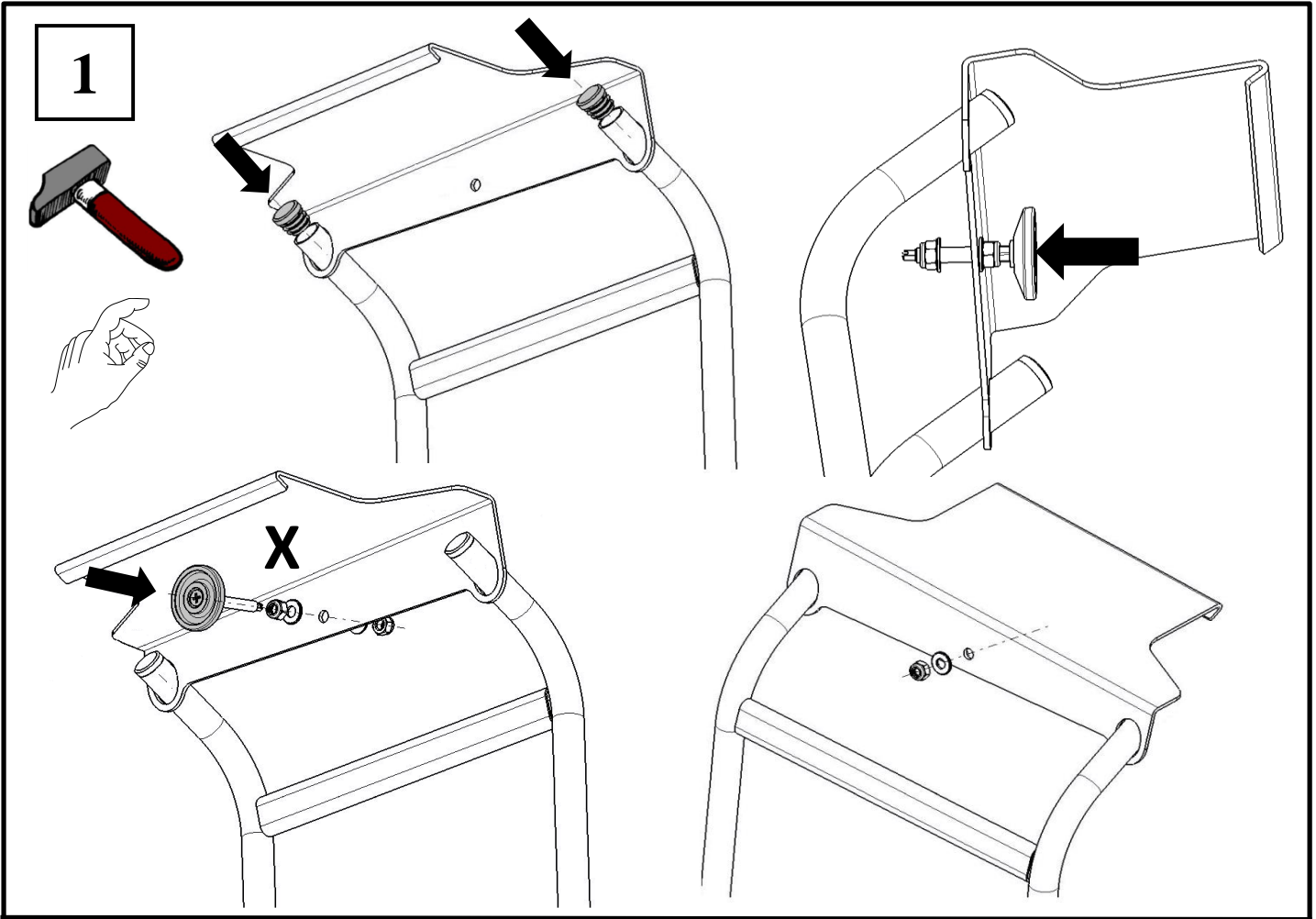
8 - 13



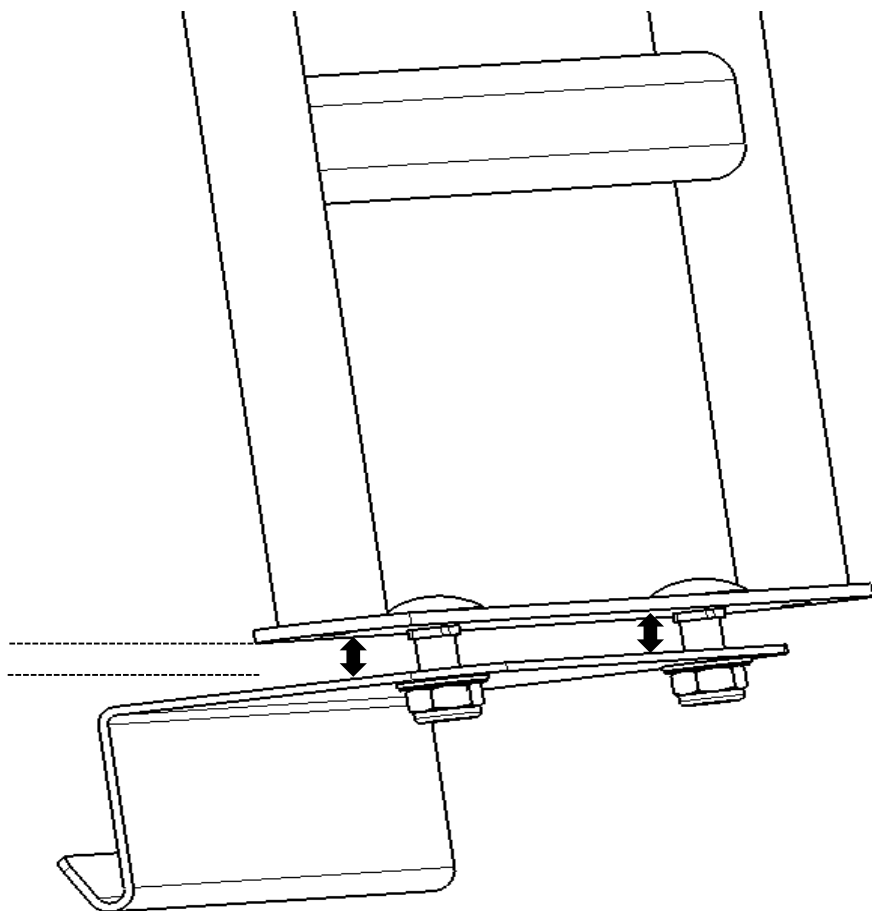
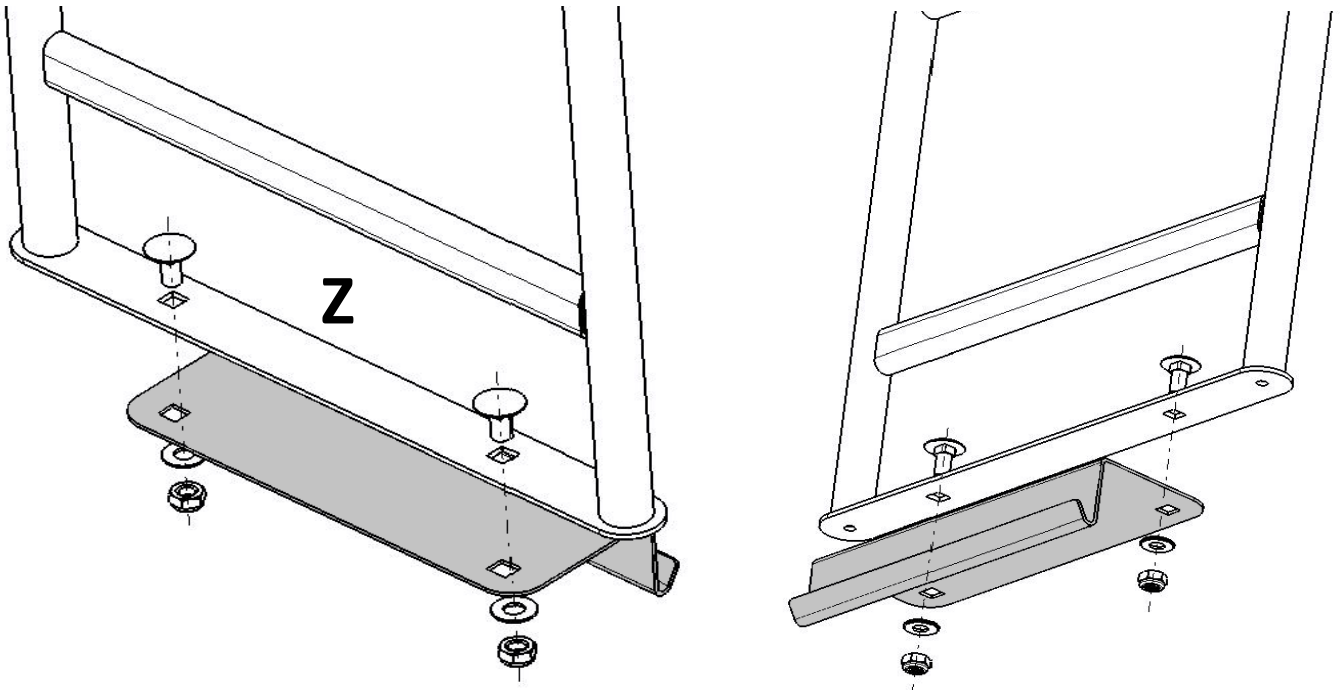
Nm



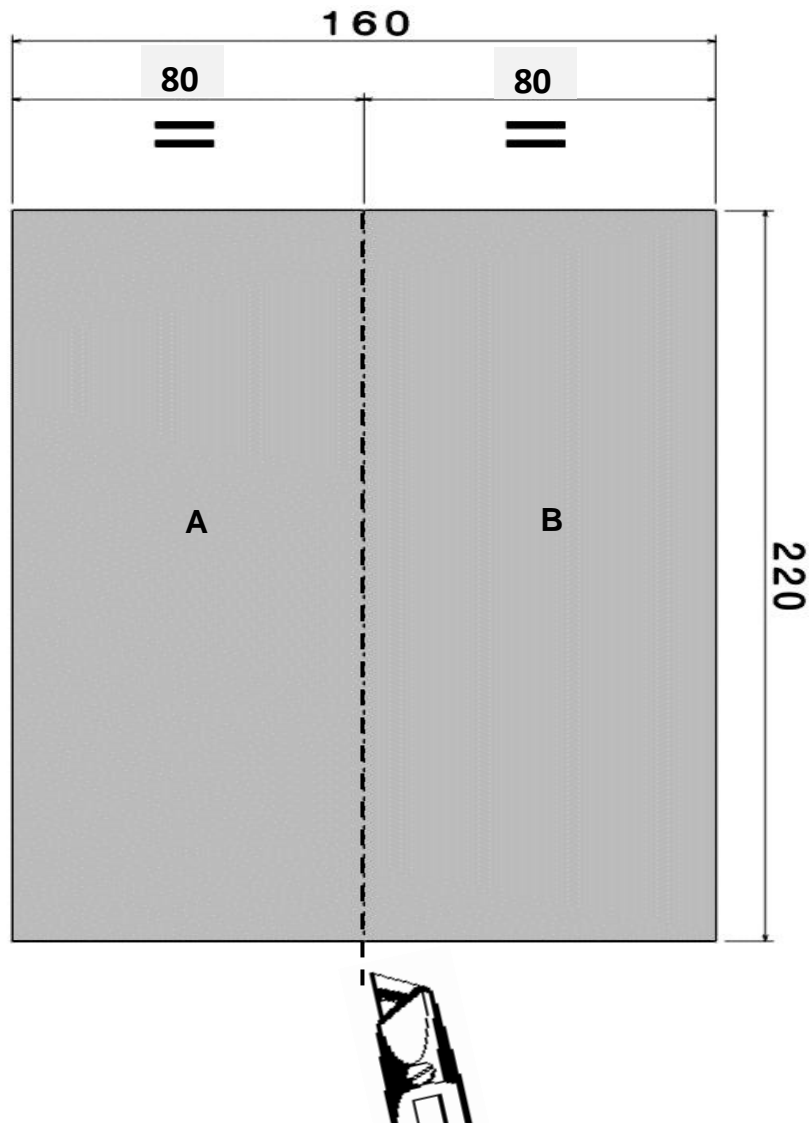
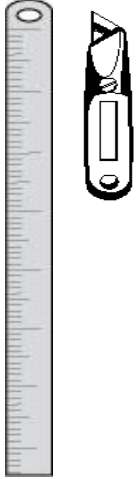
13



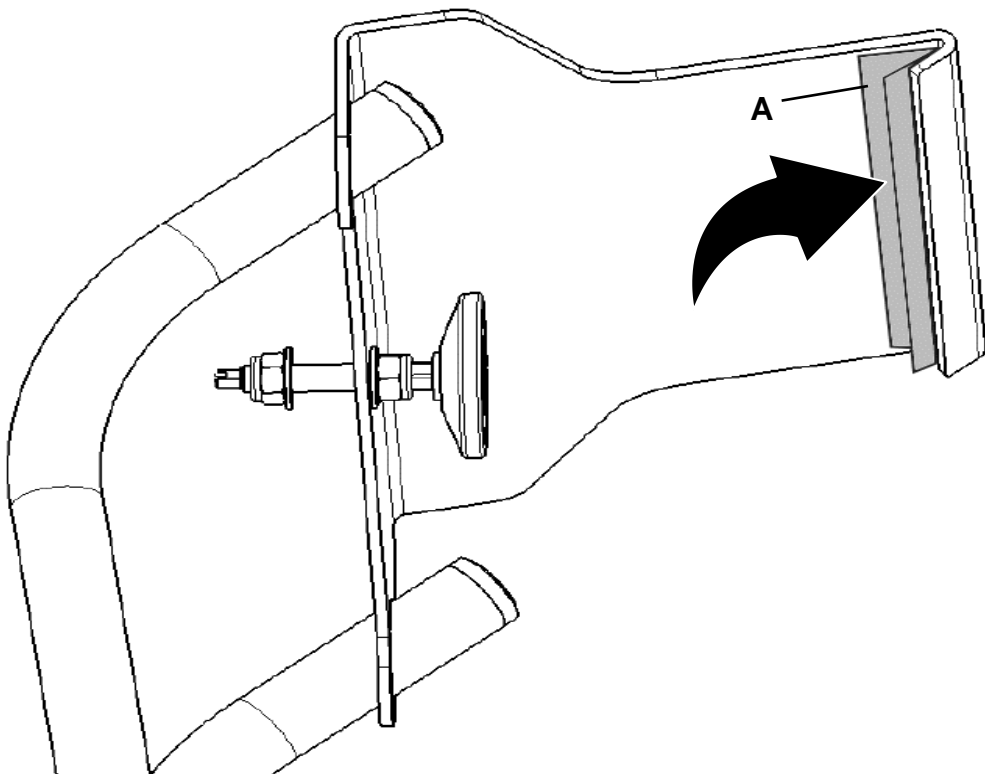
3



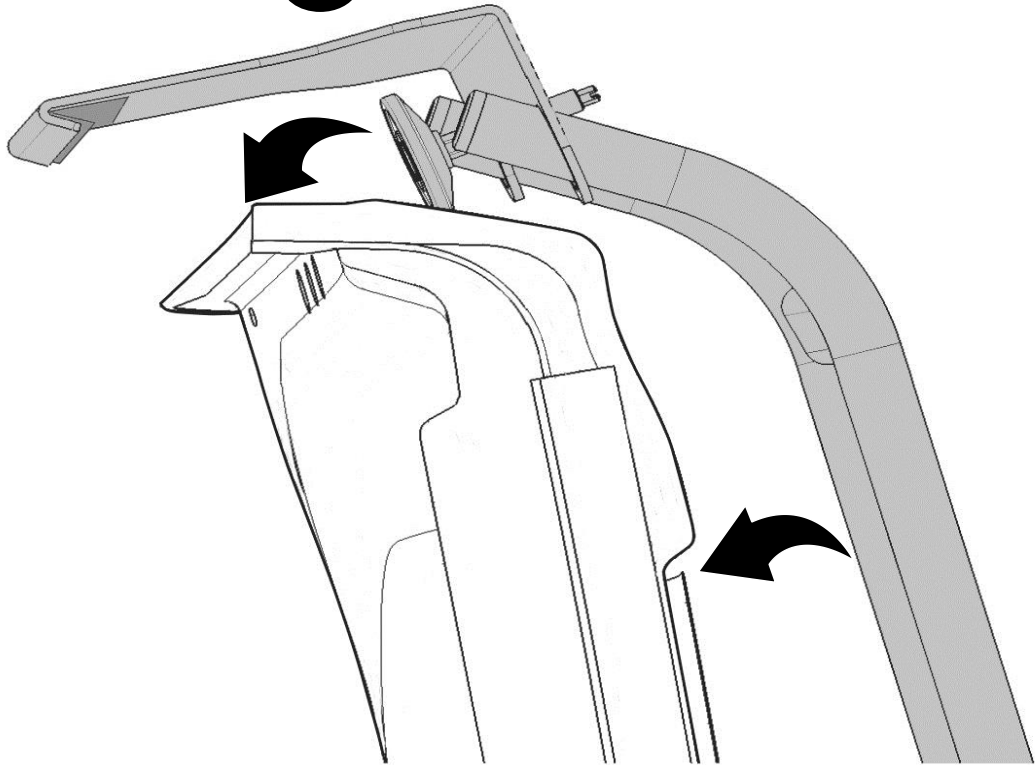
4



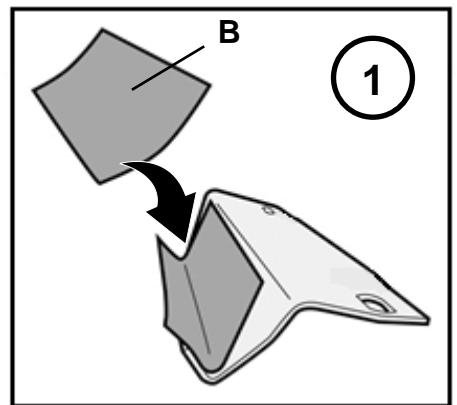
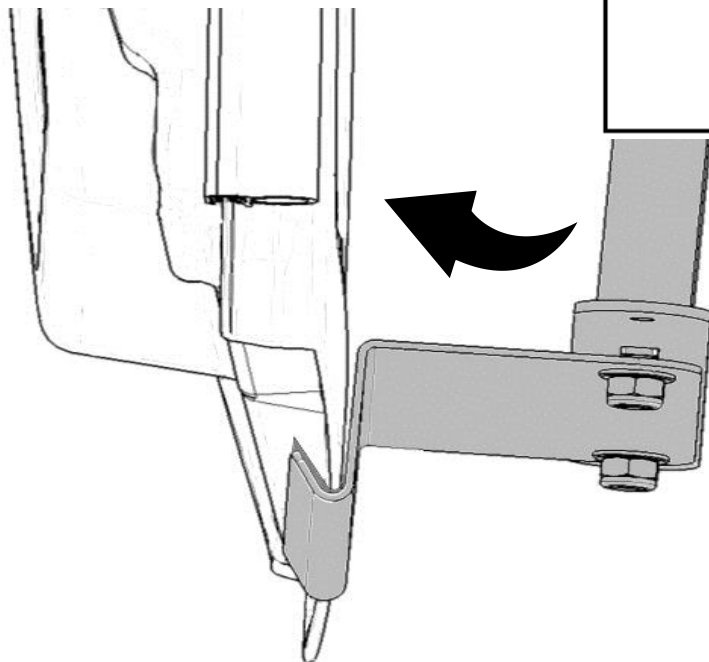
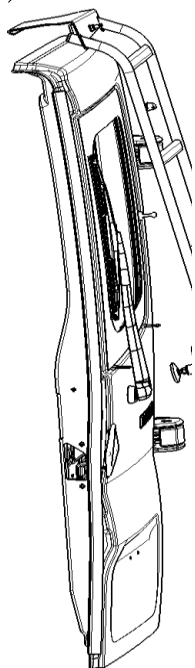
5



6



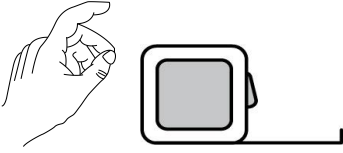
7



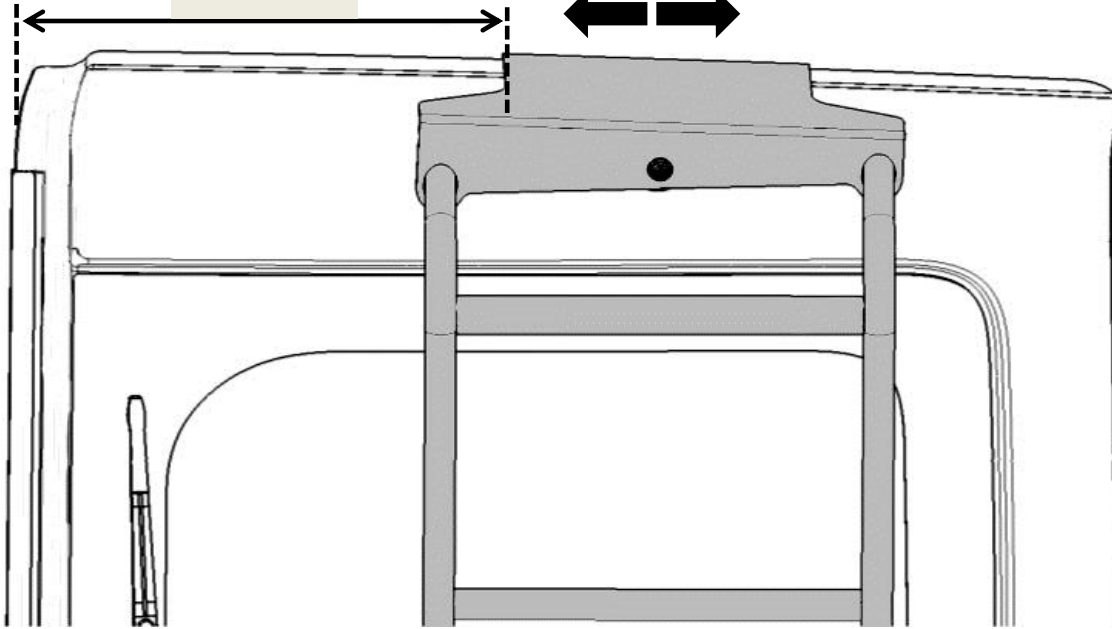
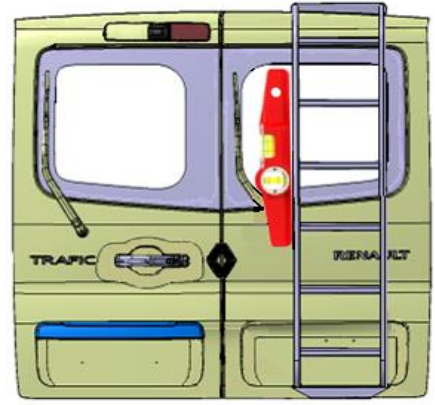
2



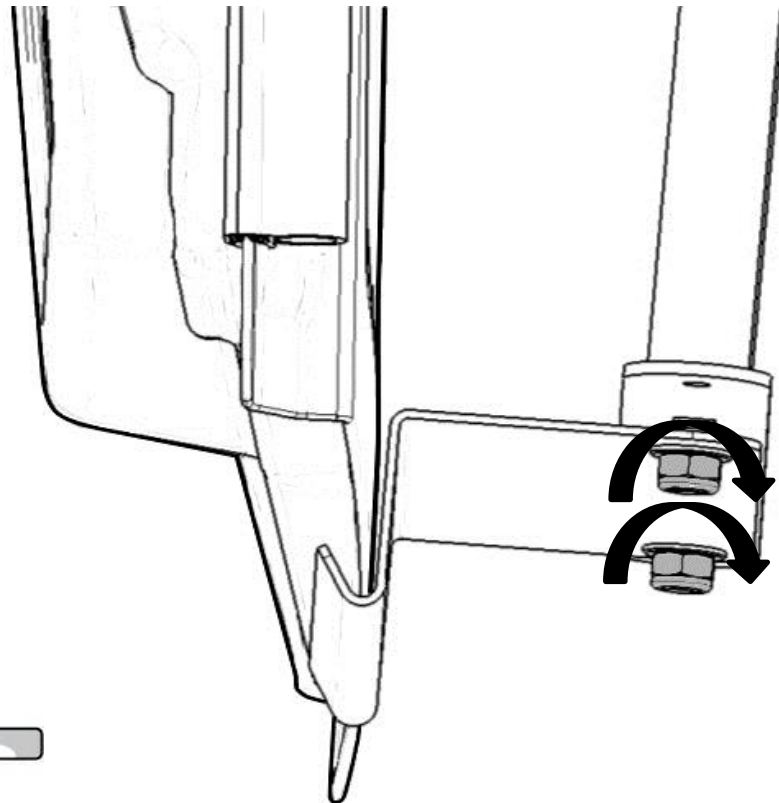
8



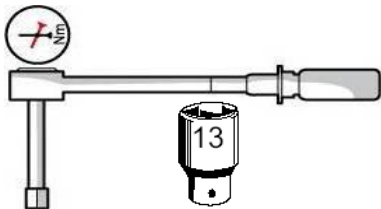
338 mm



9

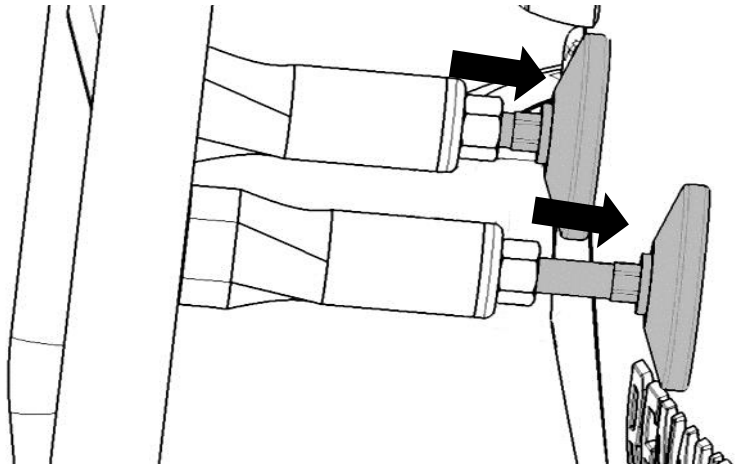


23 Nm

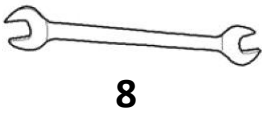


10

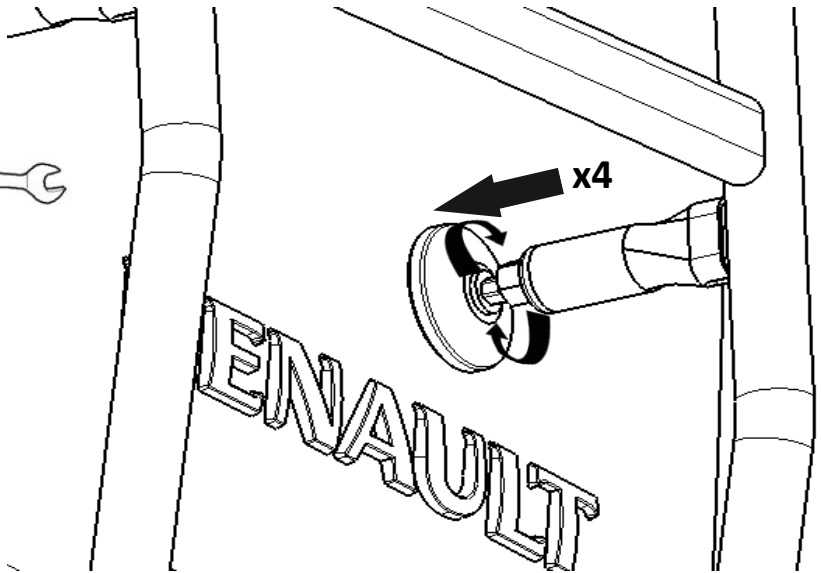
a



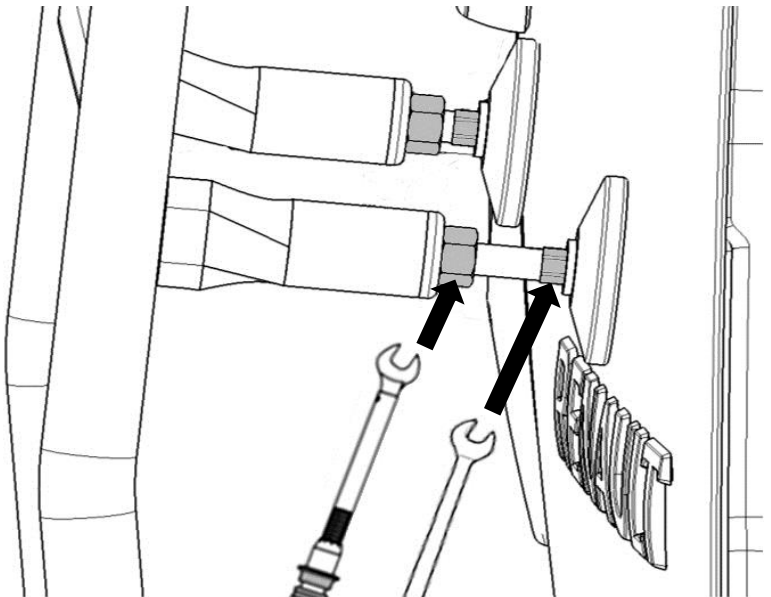
b



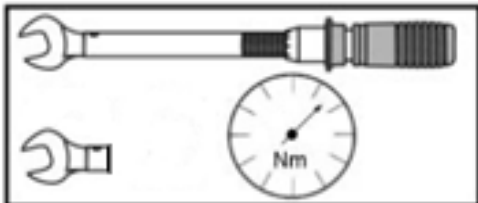
8



c



23 Nm



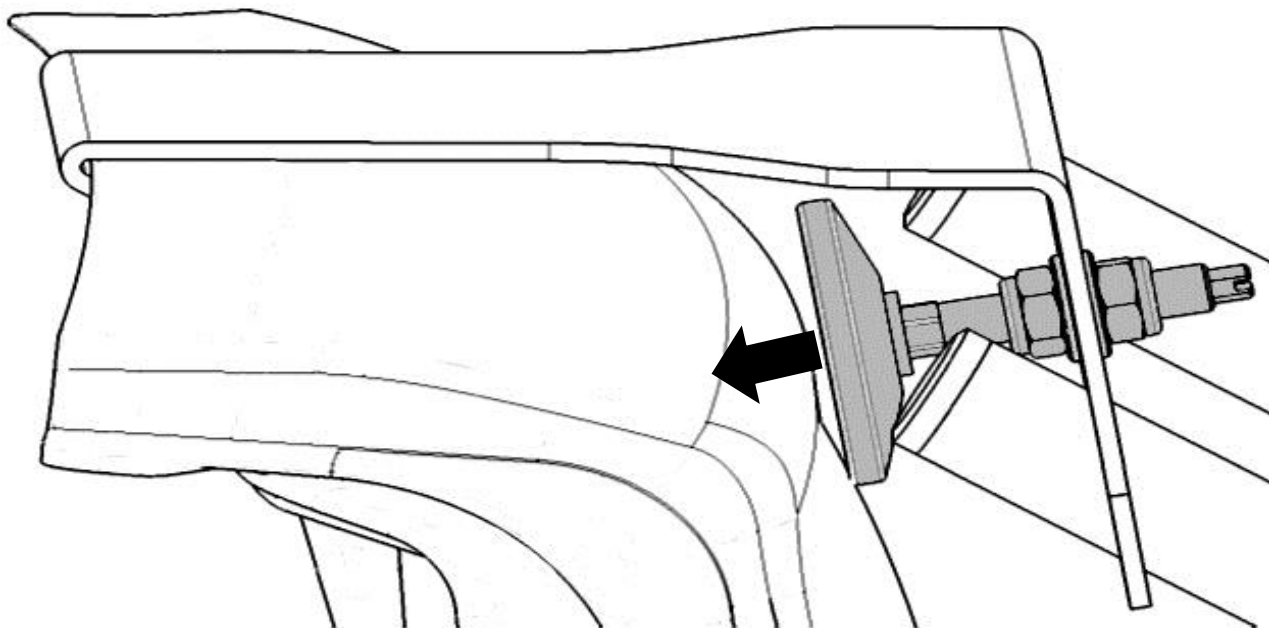
13



8



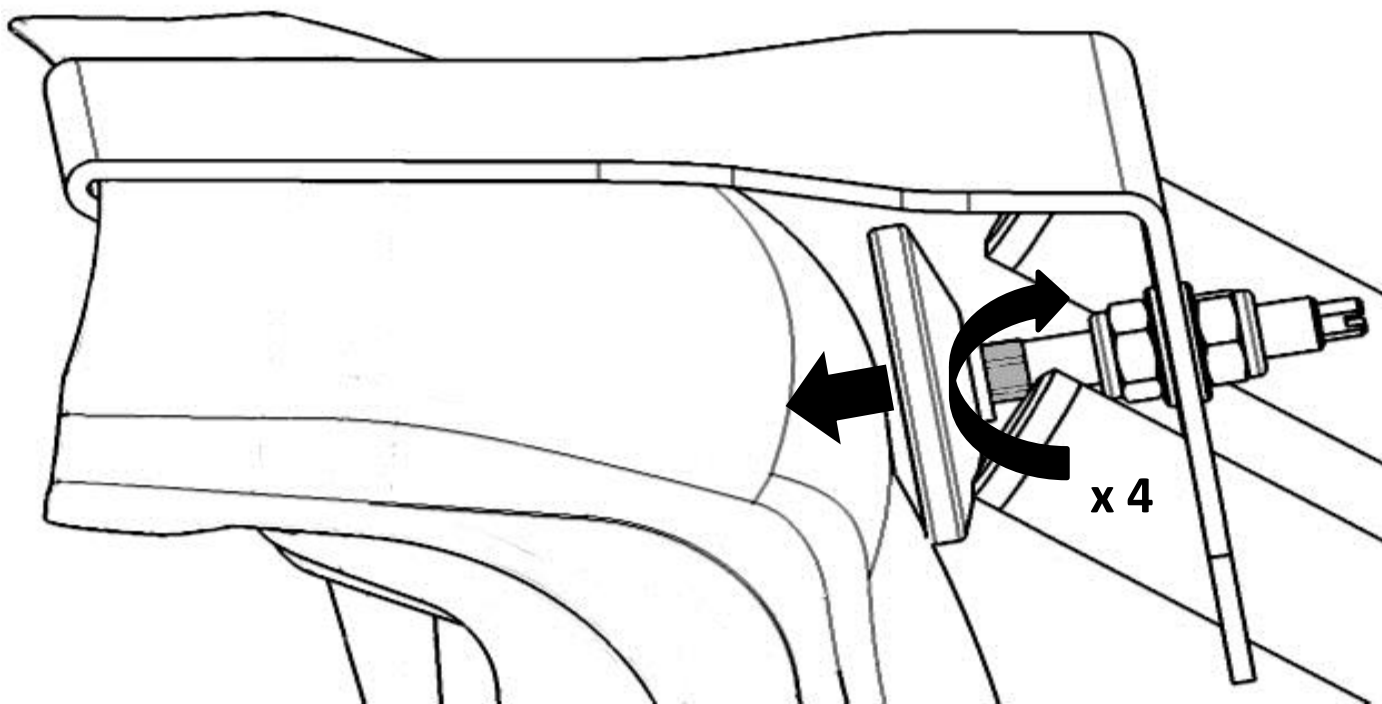
11



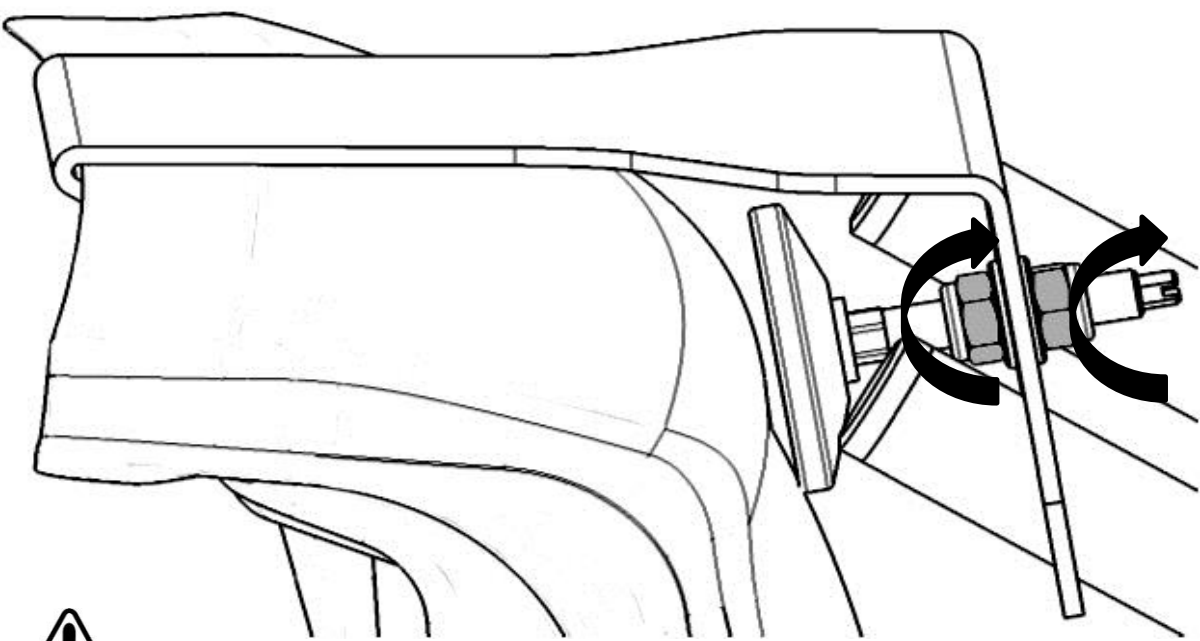
12



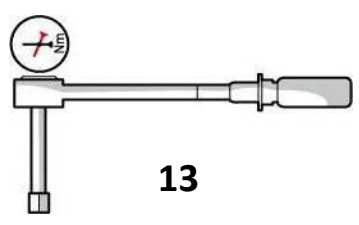
8



13



 23 Nm



14

 < 100 Kg

