



westfalia
AUTOMOTIVE

513175700001 513240700001 513382700001

513175700051 513240700051 513382700051



siarr
WESTFALIA AUTOMOTIVE

513239700001 513176700001 513381700001

513239700051 513176700051 513381700051



MERCEDES VITO 2 / VITO 3 09/2003 >



L1 = 4748 / 4895

L2 = 4993 / 5140

L3 = 5223 / 5370



L1

513175700001 = 500001701003 + 500001701004 +
500001700000 + 500001702004 + 513175700002

513175700051 = 500001701053 + 500001701054 +
500001700050 + 500001702054 + 513175700052



L1

513240700001 = 500001701003 + 500001701004 +
500001702004 + 510031700002

513240700051 = 500001701053 + 500001701054 +
500001702054 + 510031700052



L2

513382700001 = 500001701003 + 500001702004 +
500001702004 + 513382700002

513382700051 = 500001701053 + 500001702054 +
500001702054 + 513382700052



L2

51323970001 = 500001701003 + 500001701004 +
 500001700000 + 500001702004 + 510033700002
 513239700051 = 500001701053 + 500001701054 +
 500001700050 + 500001702054 + 510033700052



L3

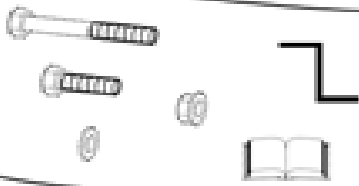
513176700001 = 500001701003 + 500001700000 +
 500001702004 + 500001702004 + 513176700002
 513176700051 = 500001701053 + 500001700050 +
 500001702054 + 500001702054 + 513176700052



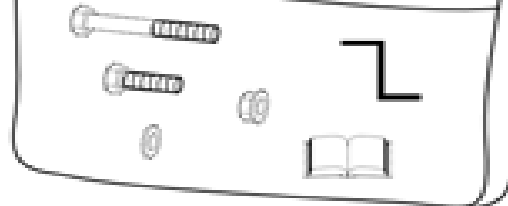
L3

513381700001 = 500001701003 + 500001702004 +
 500001702004 + 510035700002
 513381700051 = 500001701053 + 500001702054 +
 500001702054 + 510035700052

513175700002 513175700052
 510031700002 510031700052
 513382700002 513382700052



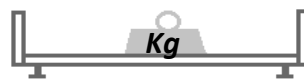
510033700002 510033700052
 513176700002 513176700052
 510035700002 510035700052



180 min



90 min

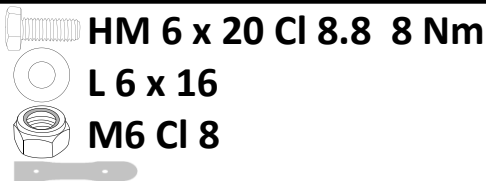


L1 = 100 Kg

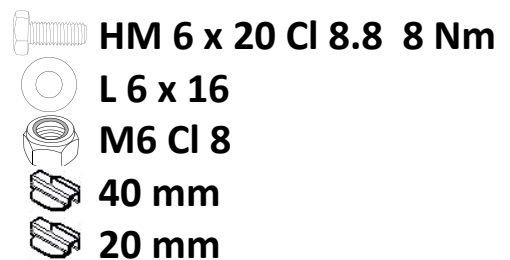
L2 = 100 Kg

L3 = 100 Kg

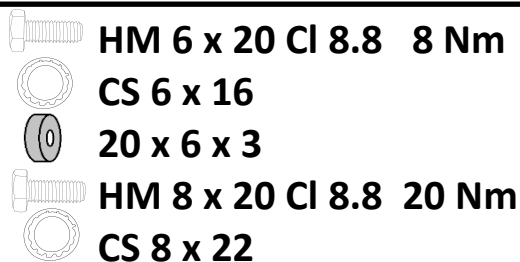
X



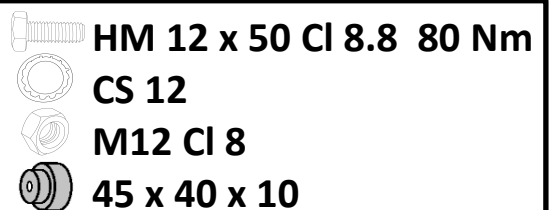
Z



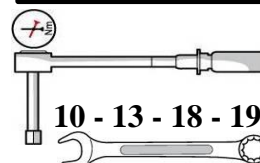
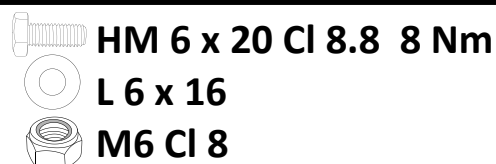
Y



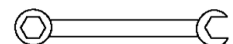
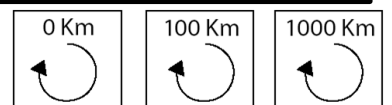
W



V



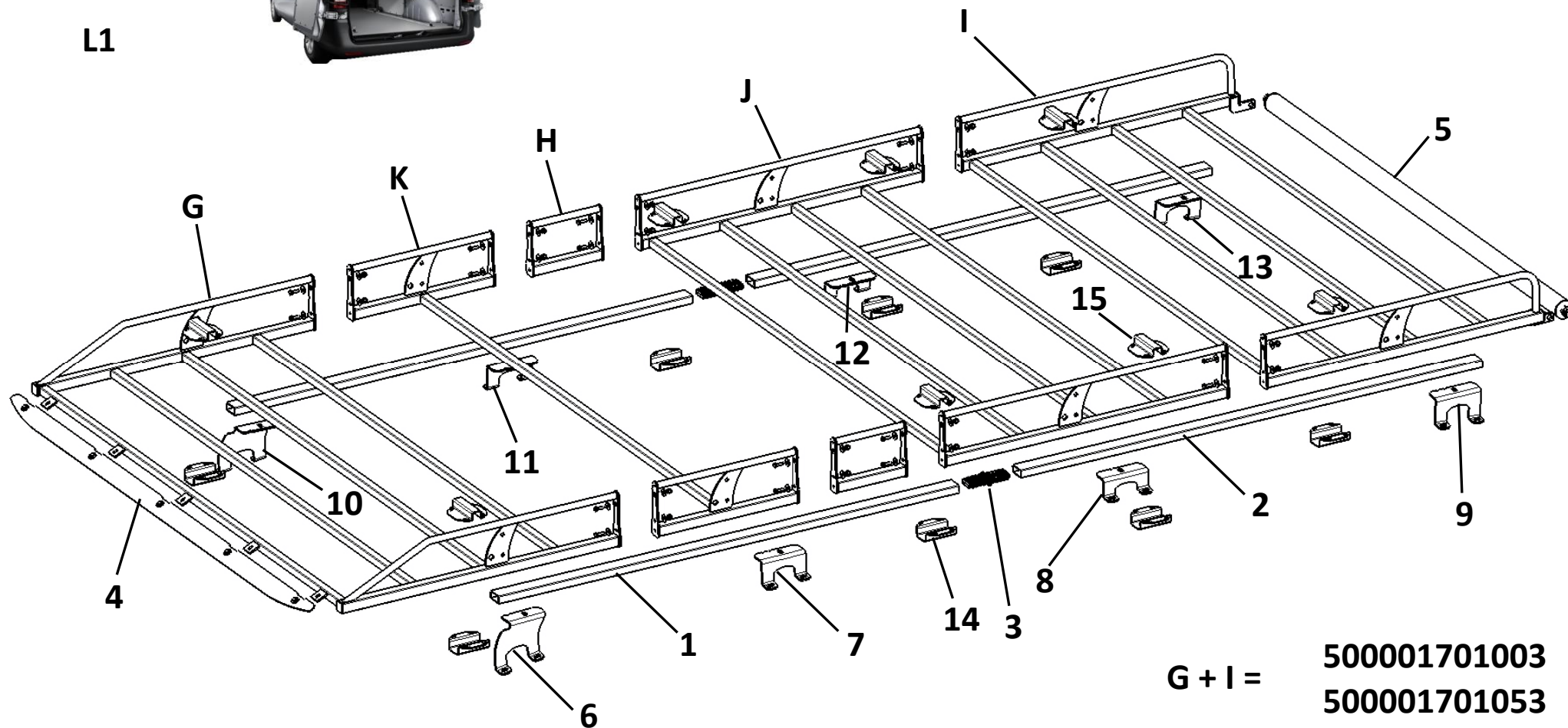
10 - 13 - 18 - 19



513175700001
513175700051



L1

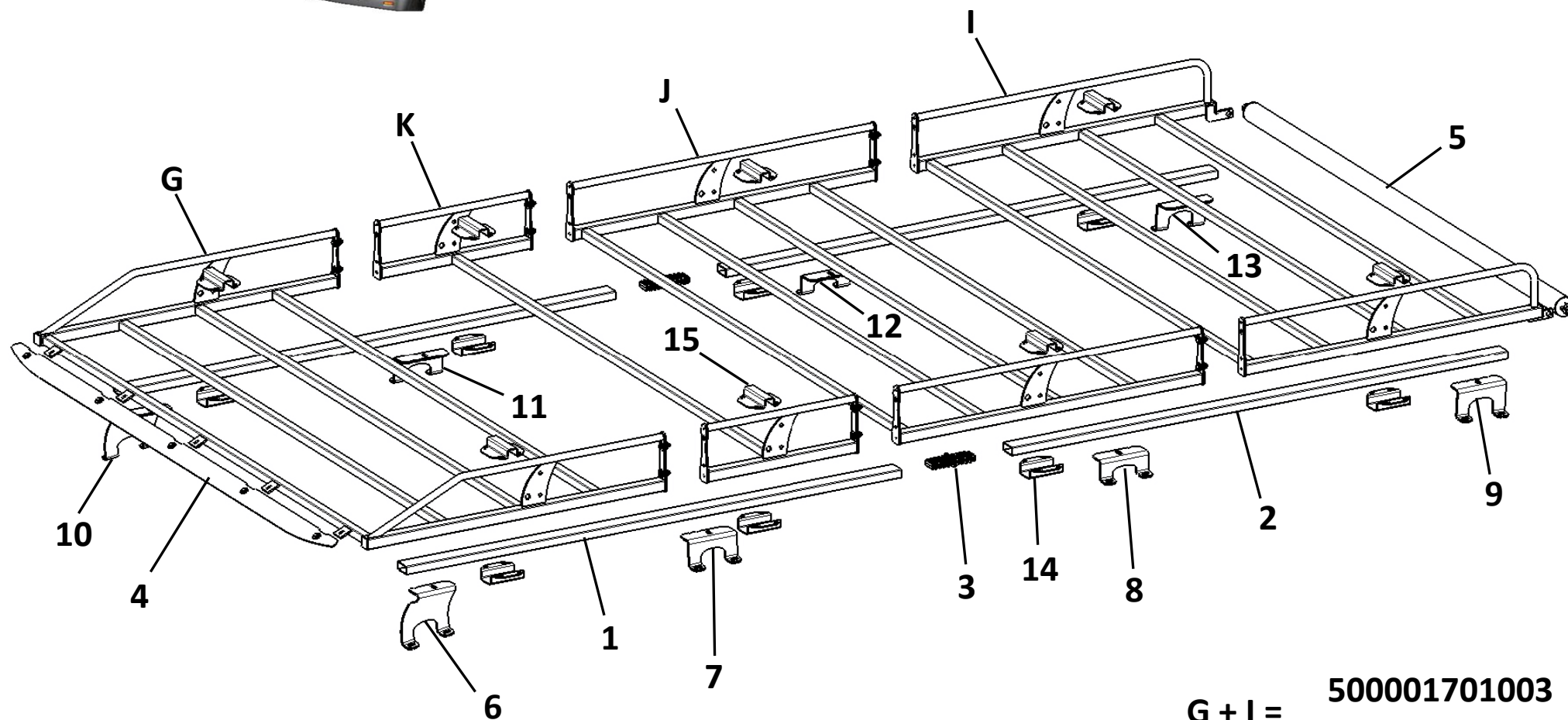


G + I = 500001701003
500001701053
J = 500001702004
500001702054
K = 500001701004
500001701054
H = 500001700000
500001700050

51324070001
51324070051



L1

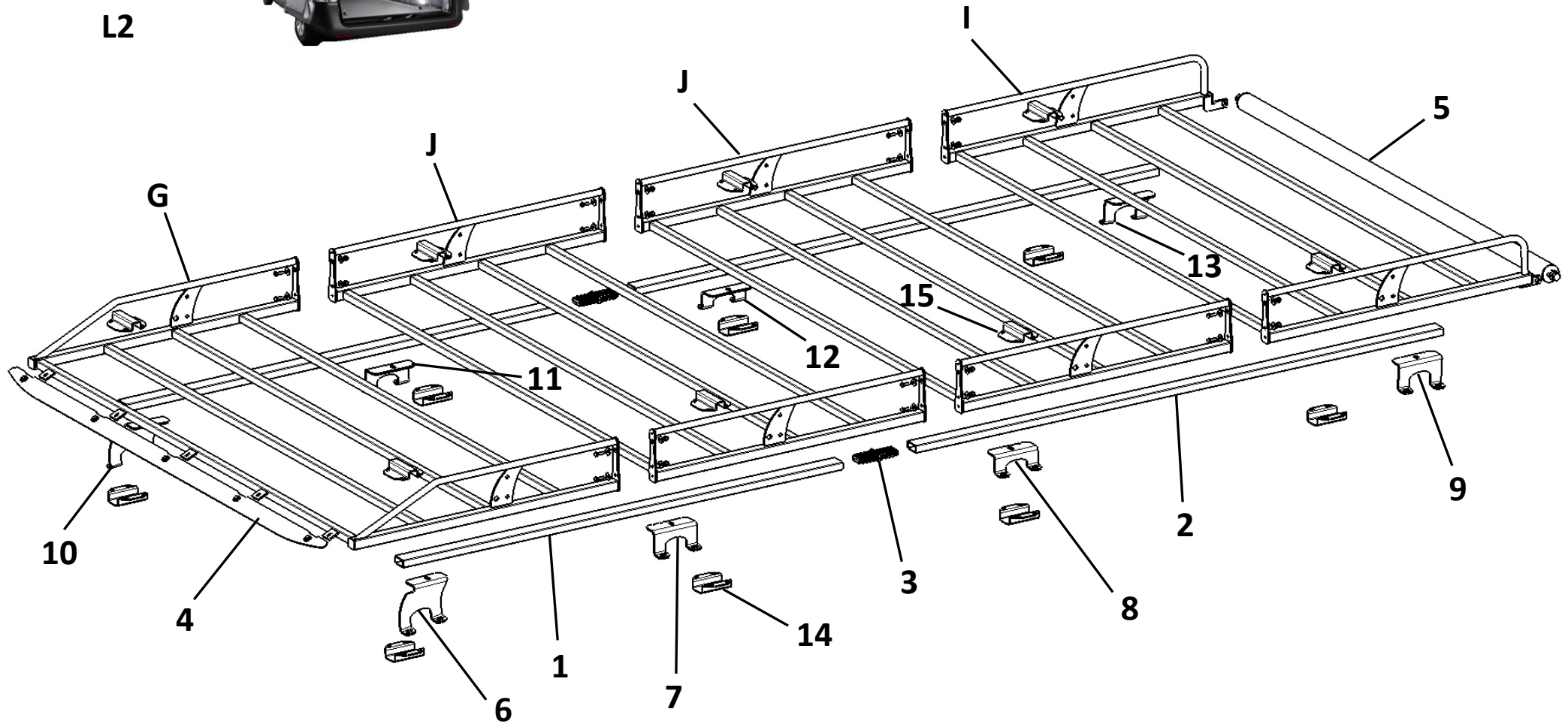


G + I = 500001701003
500001701053
J = 500001702004
500001702054
K = 500001701004
500001701054

51338270001
51338270051



L2

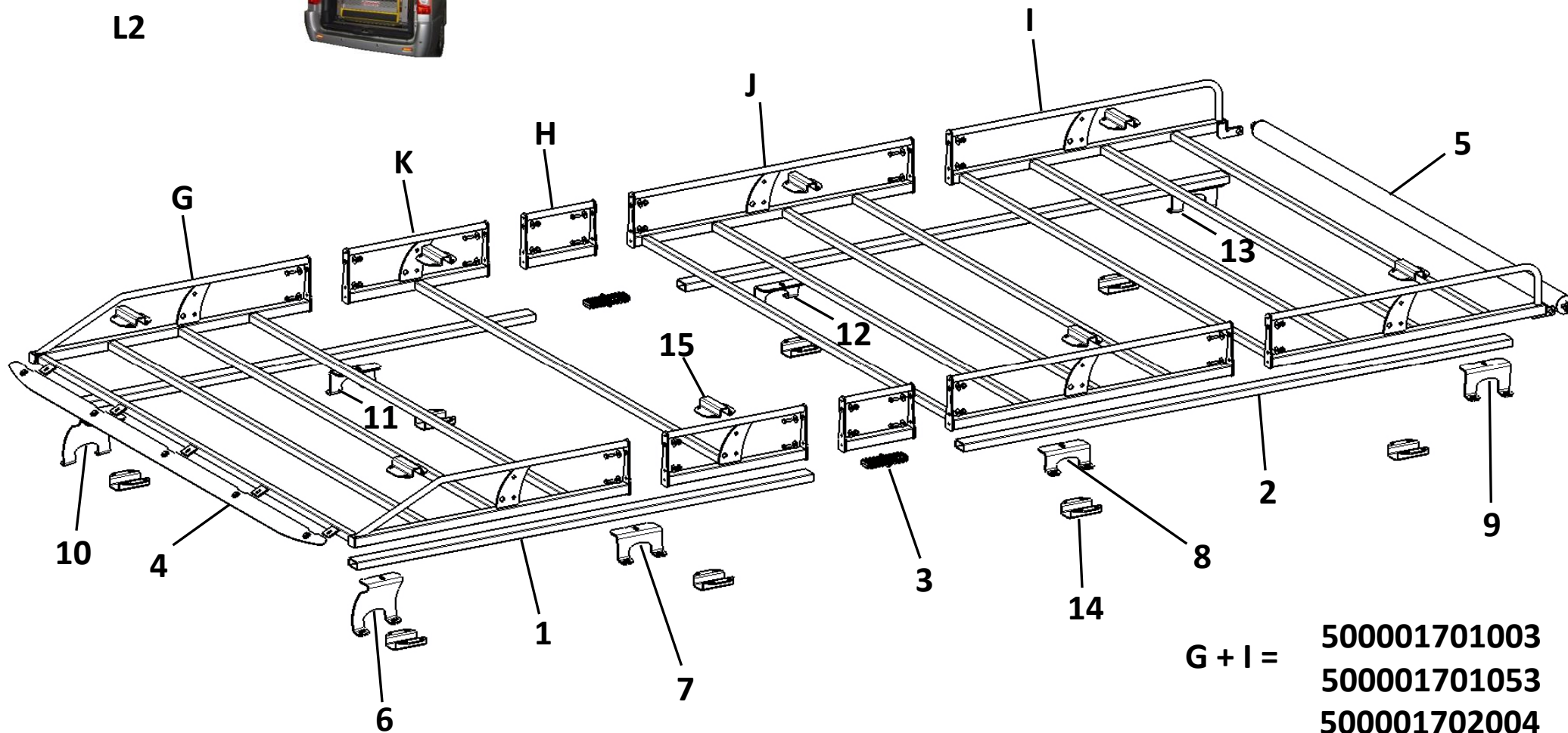


G + I = 500001701003
500001701053
J = 500001702004
500001702054

51323970001
51323970051



L2

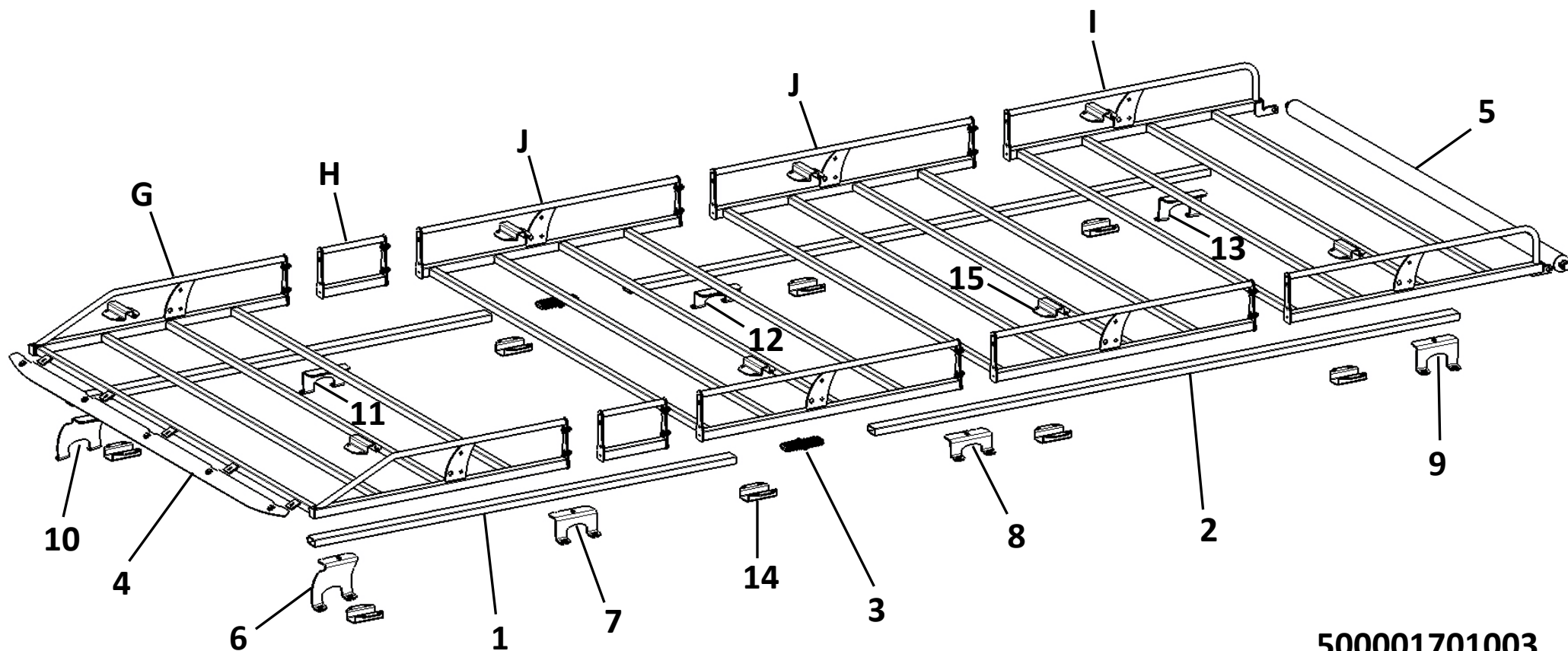


- G + I = 500001701003
- 500001701053
- J = 500001702004
- 500001702054
- H = 500001700000
- 500001700050
- K = 500001701004
- 500001701054

513176700001
513176700051



L3

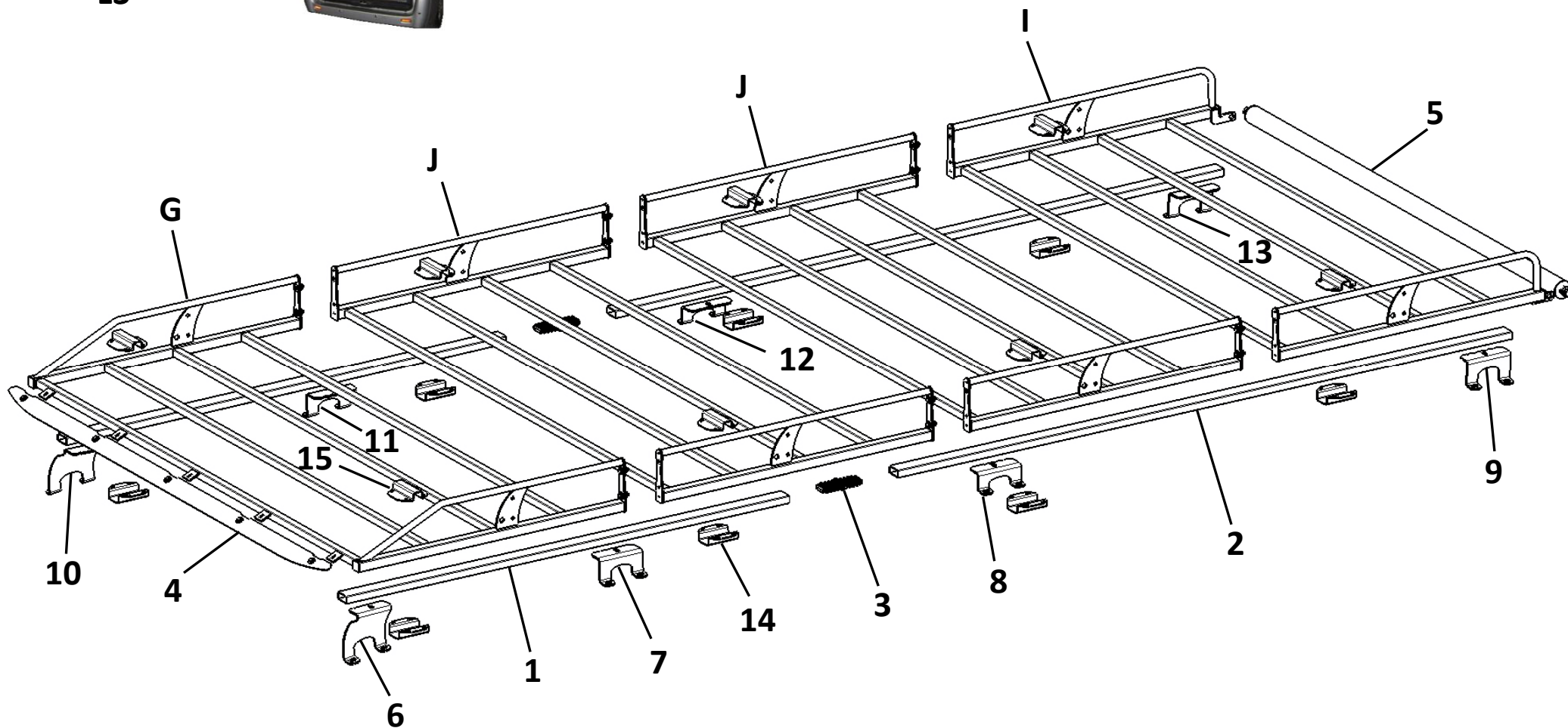


G + I = 500001701003
500001701053
J = 500001702004
500001702054
H = 500001700000
500001700050

51338170001

513381700051

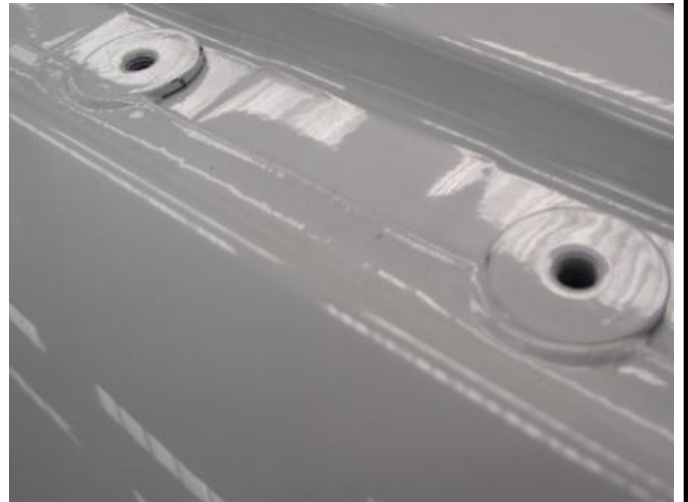
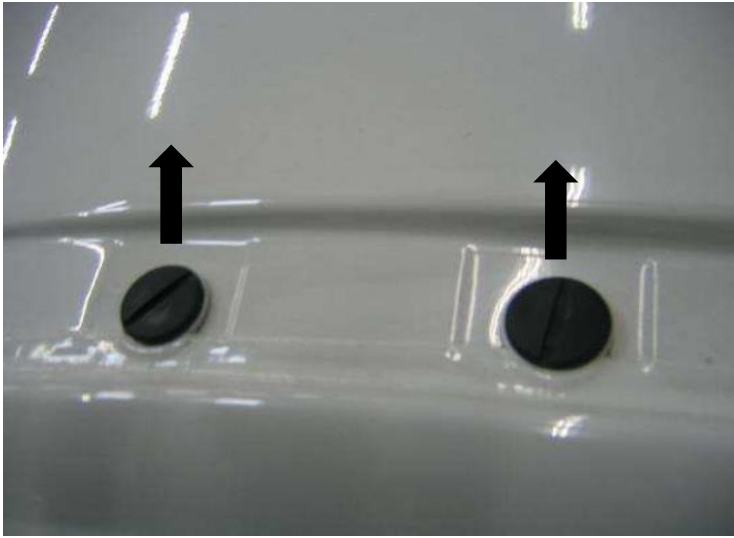
L3



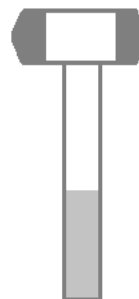
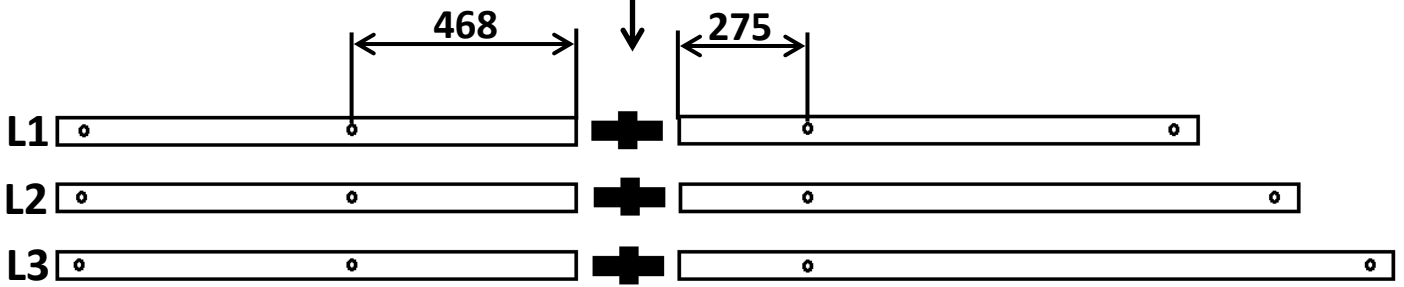
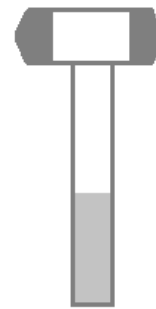
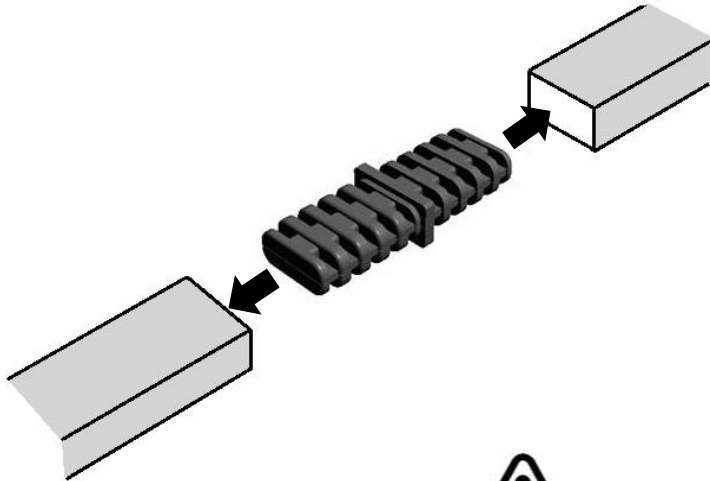
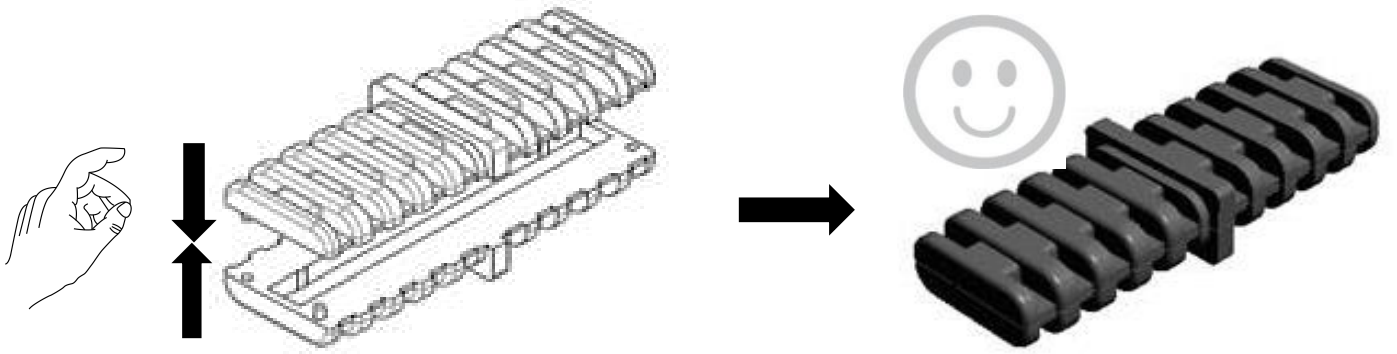
G + I = 500001701003
500001701053

J = 500001702004
500001702054

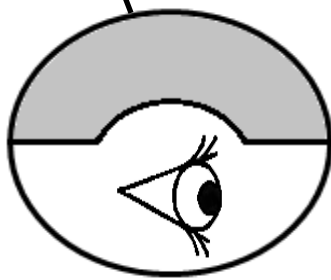
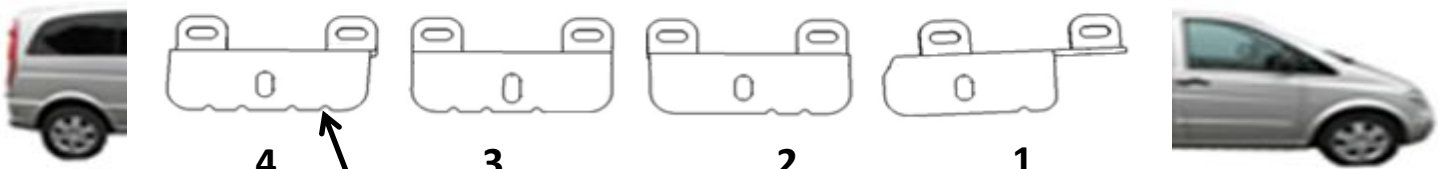
1






2

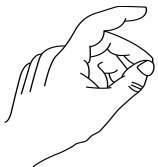


3

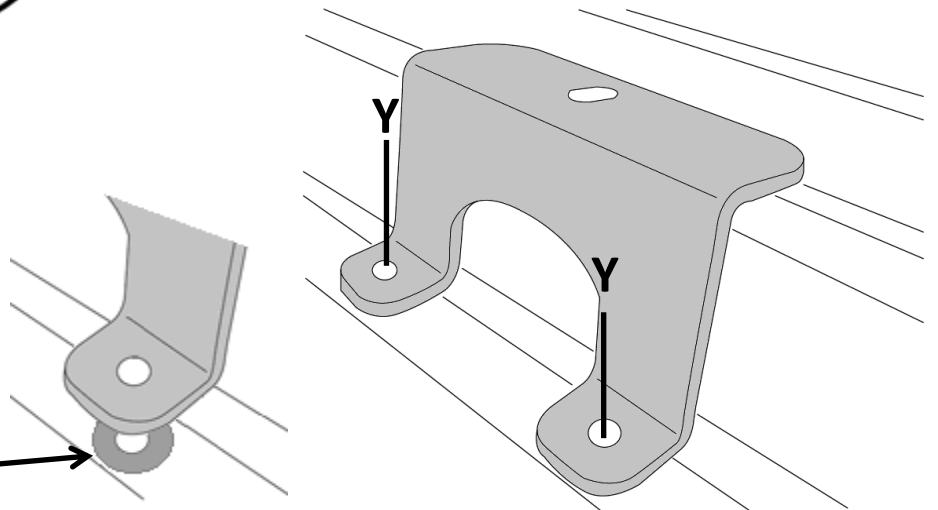


Y

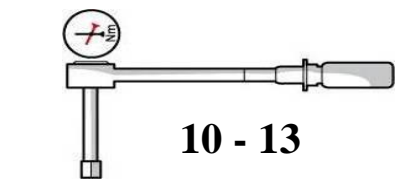
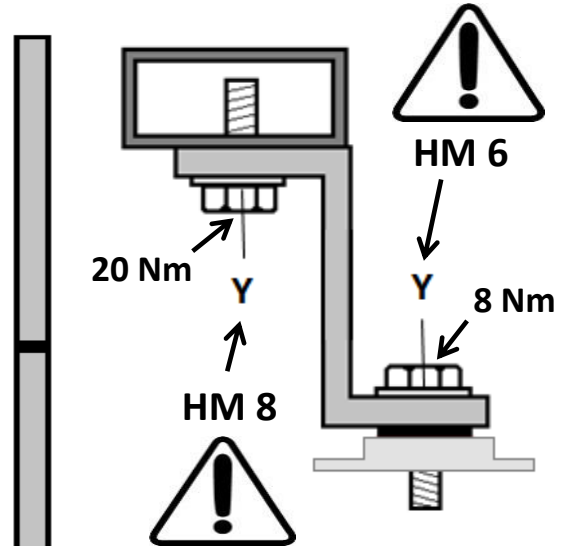
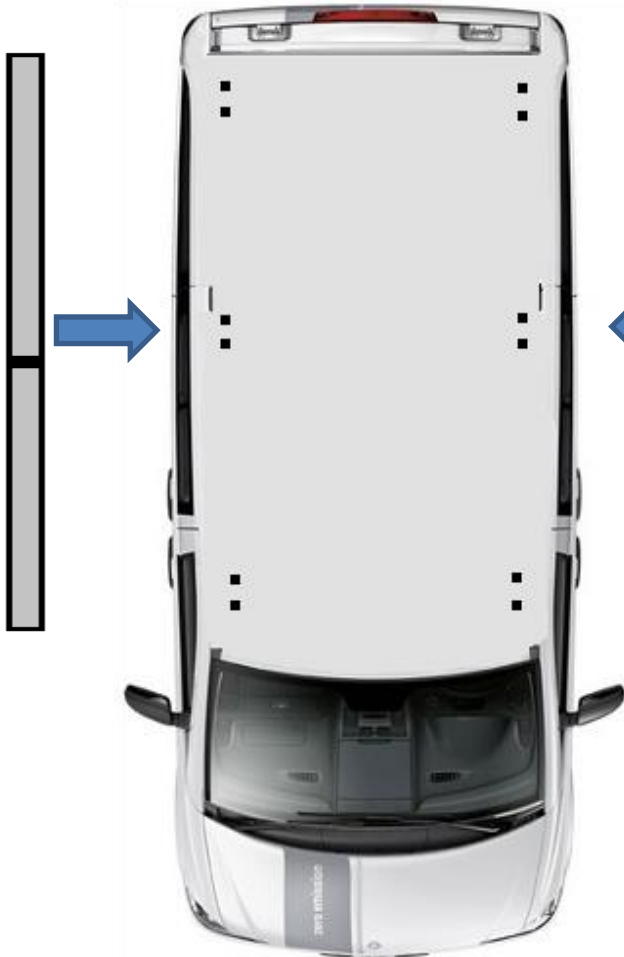
-  HM 6 x 20 Cl 8.8
-  CS 6 x 16
-  20 x 6 x 3



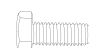

20 x 6 x 3



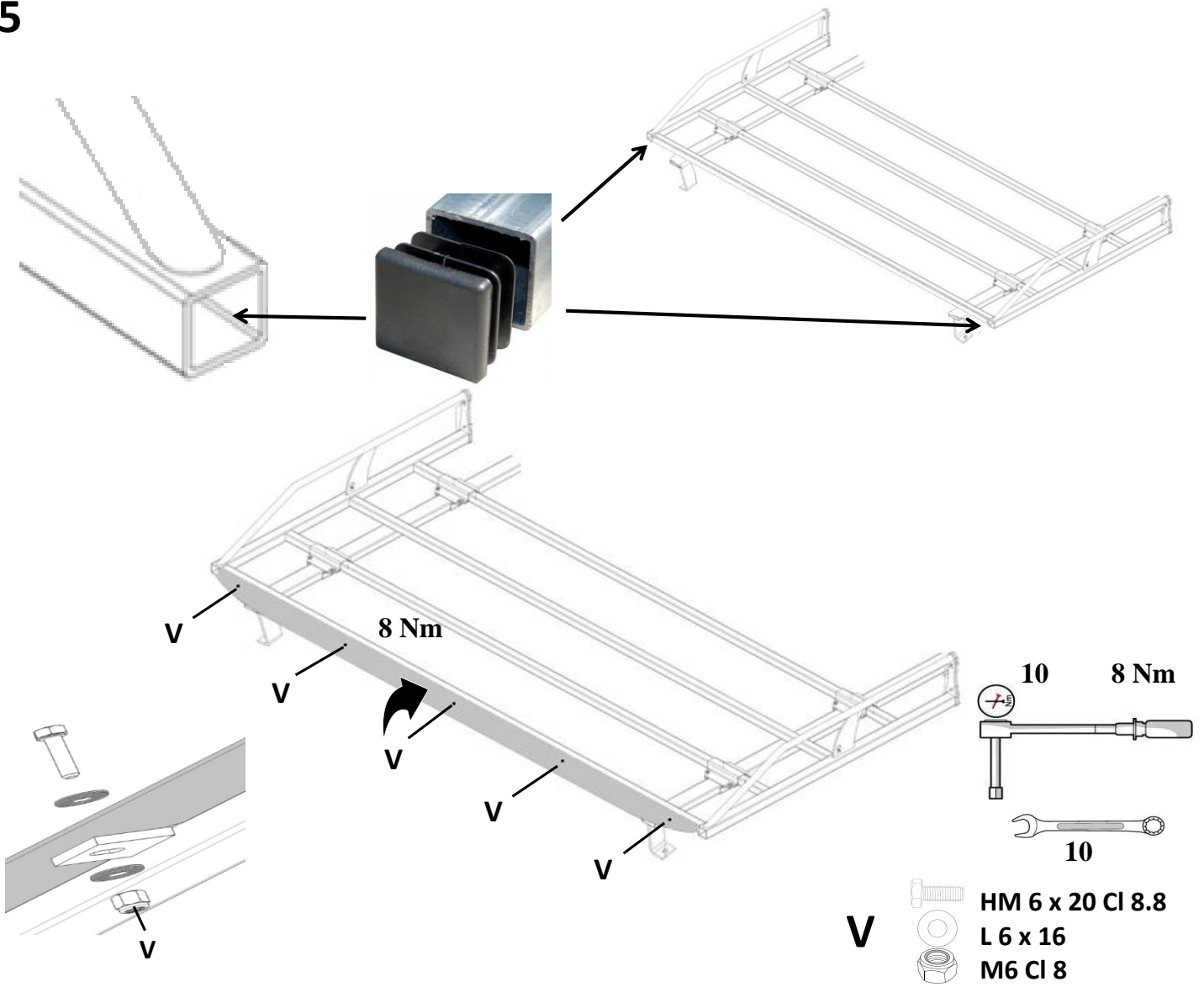
4



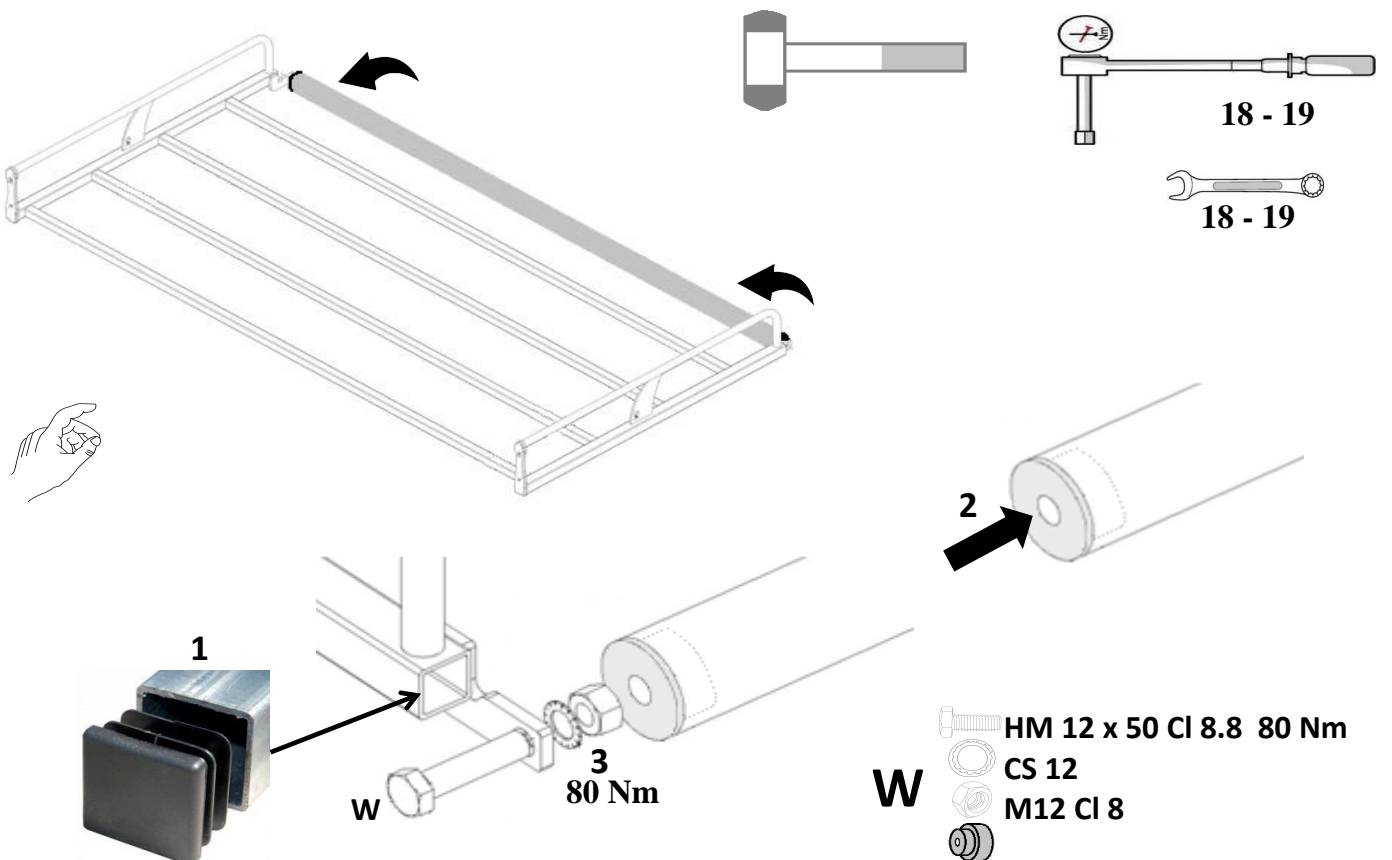
Y

-  HM 8 x 20 Cl 8.8
-  CS 8 x 22

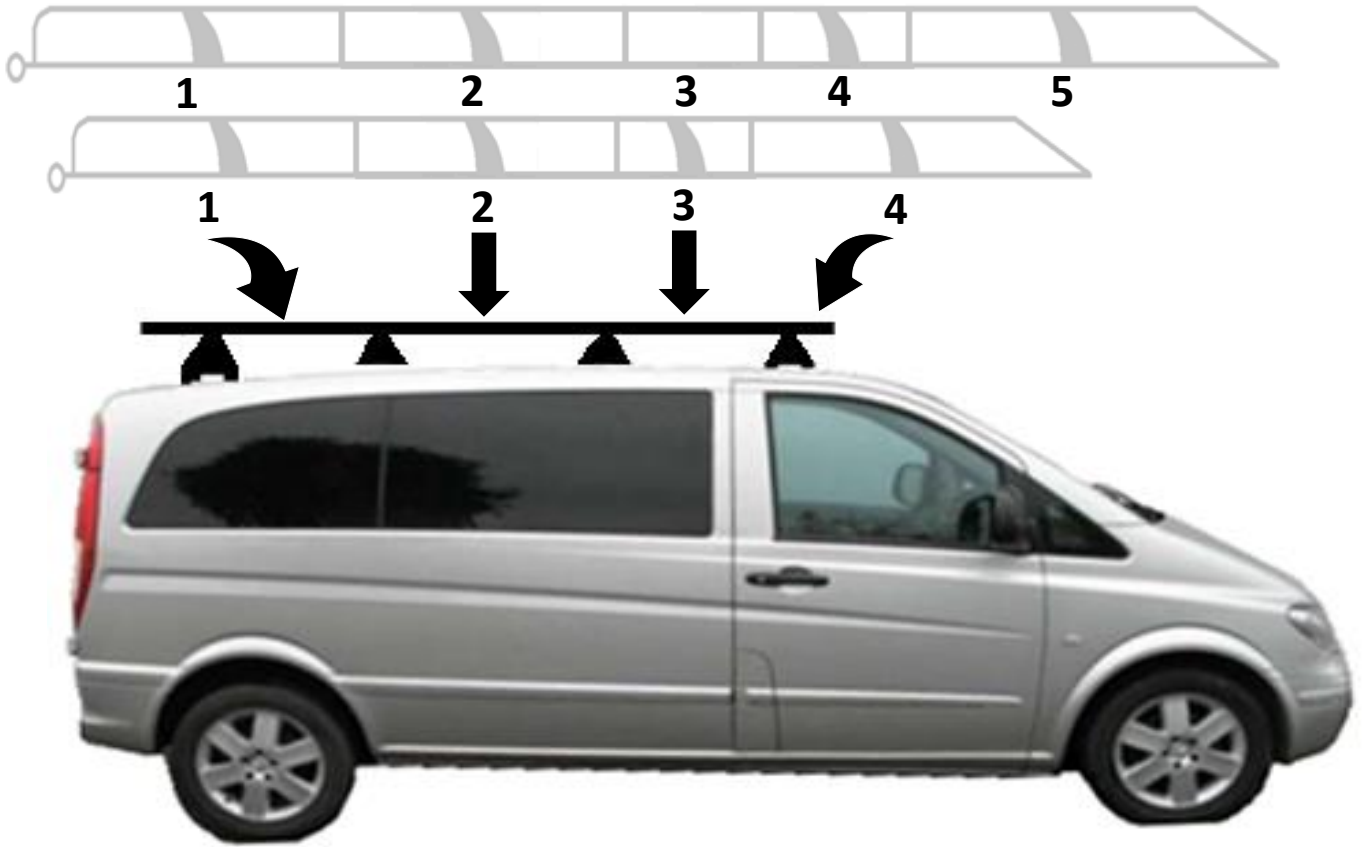
5



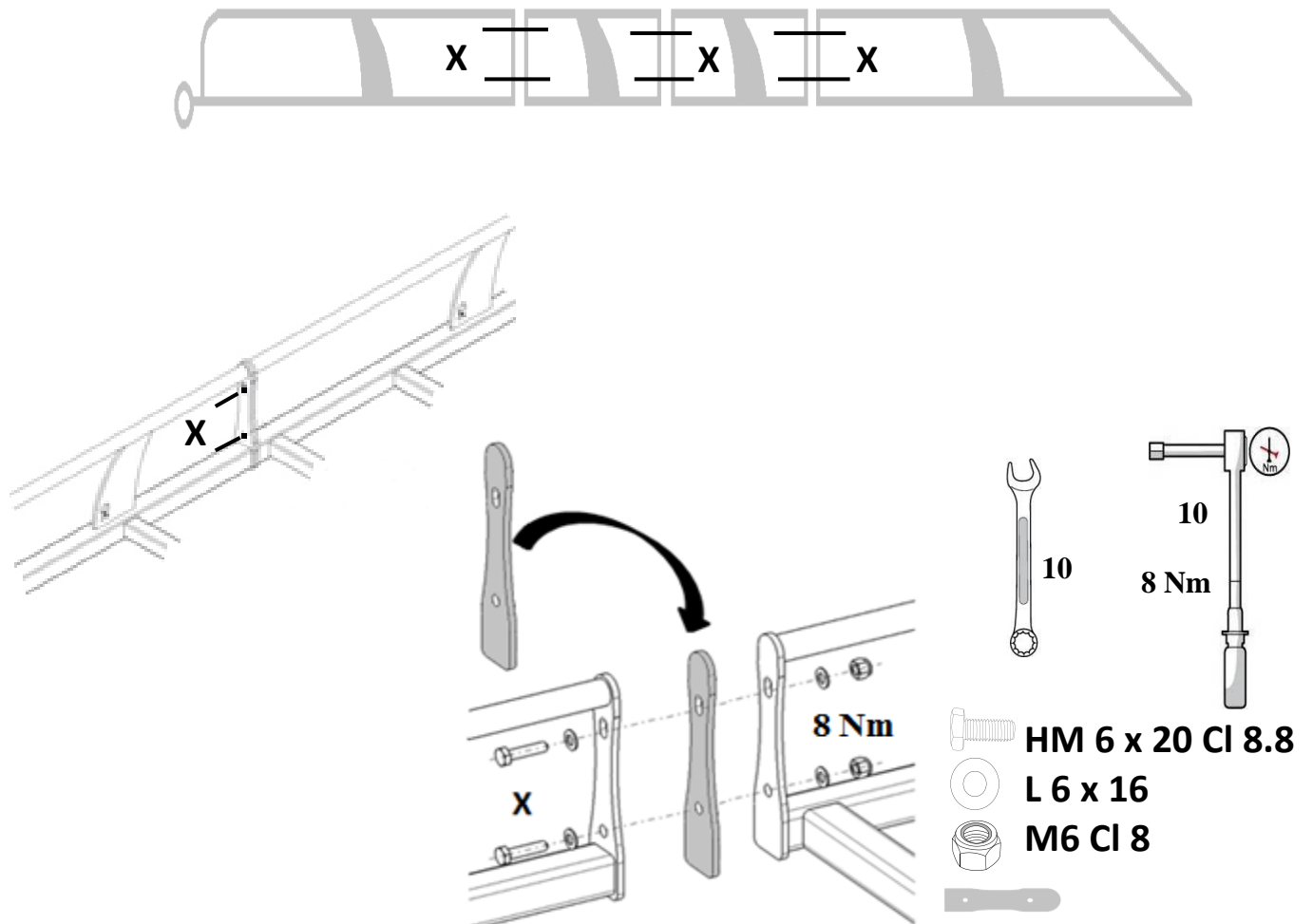
6



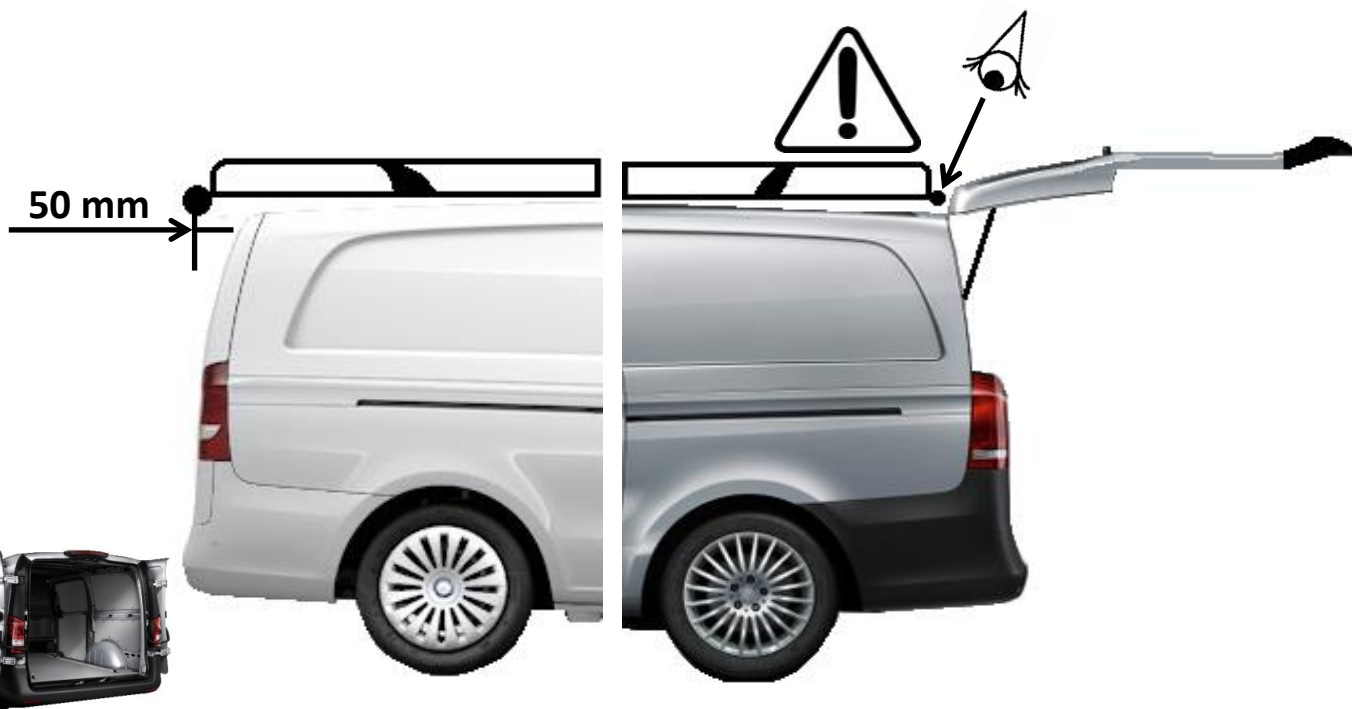
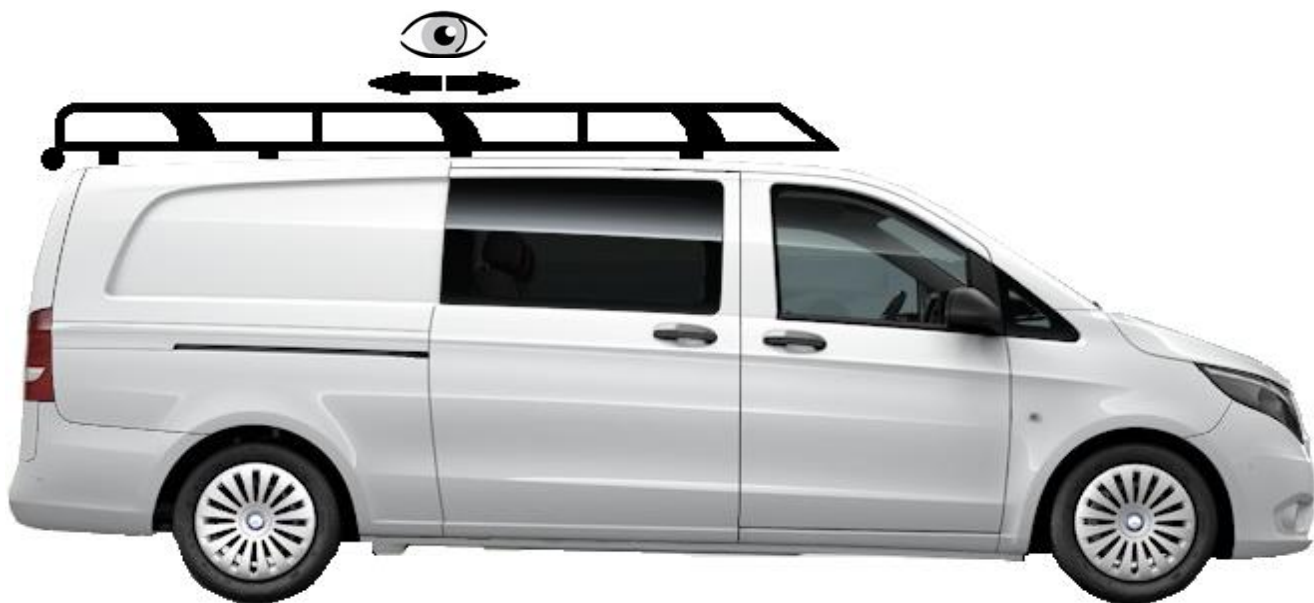
7



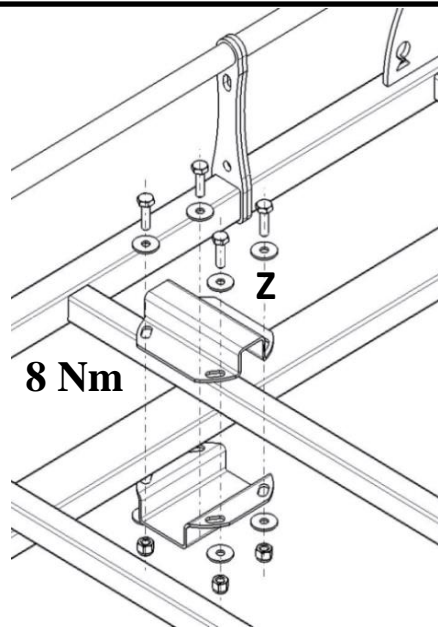
8



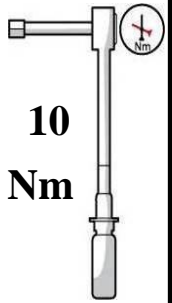
9



10



10



10
8 Nm



HM 6 x 20 CI 8.8



L 6 x 16



M6 CI 8

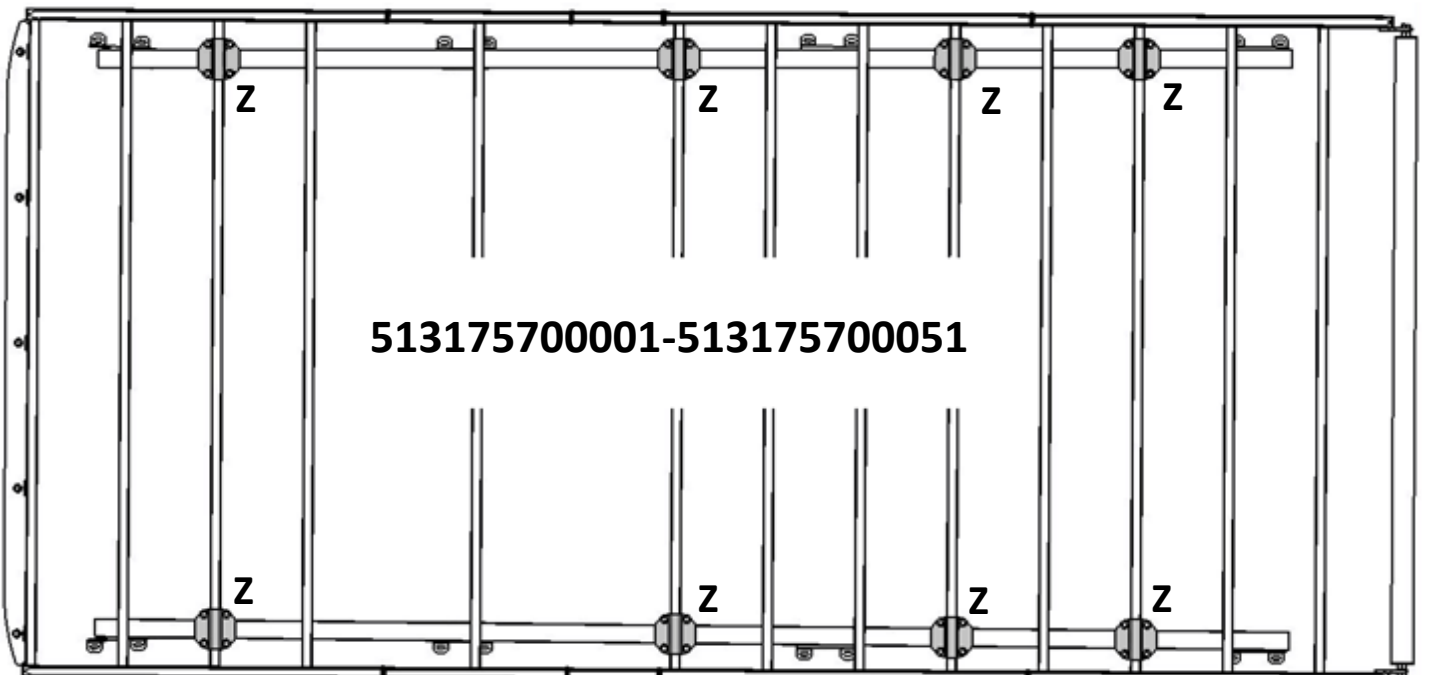


40 mm

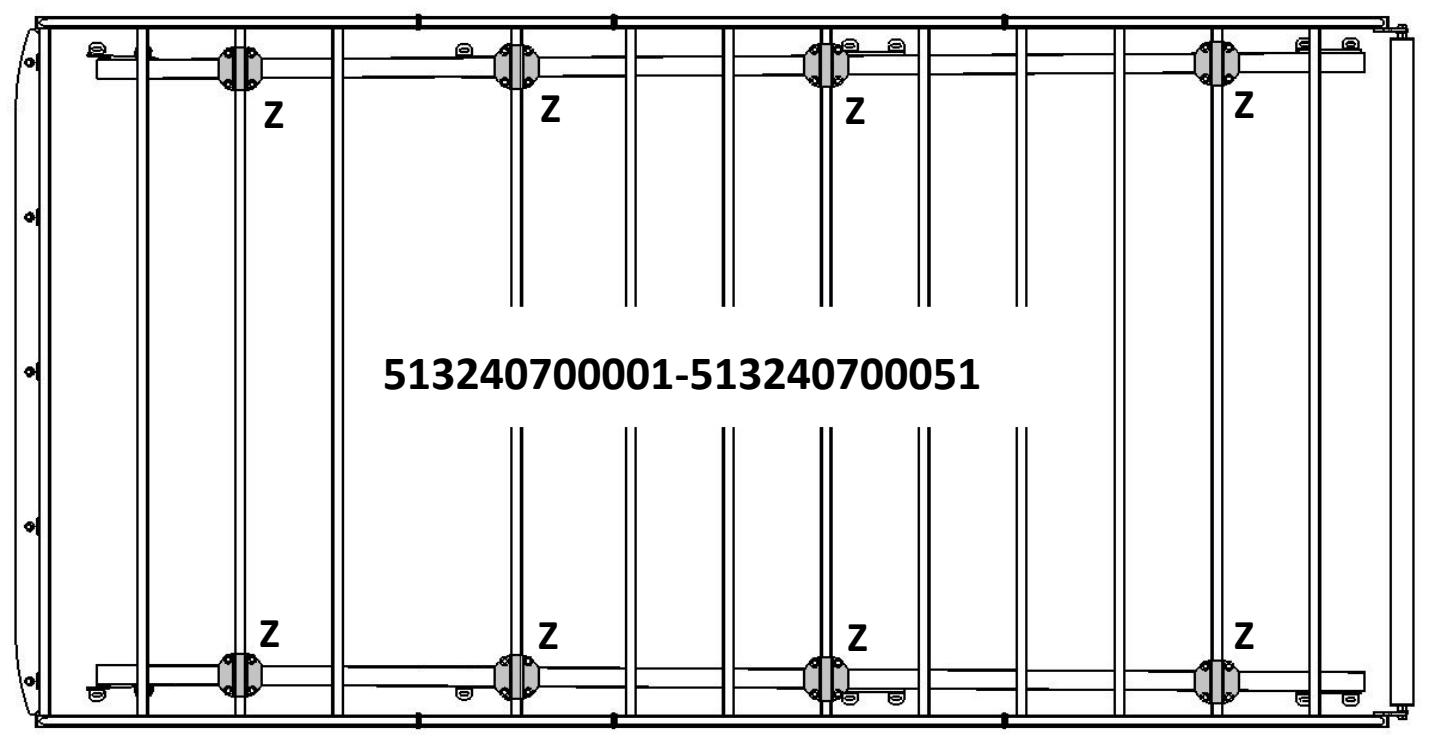


20 mm

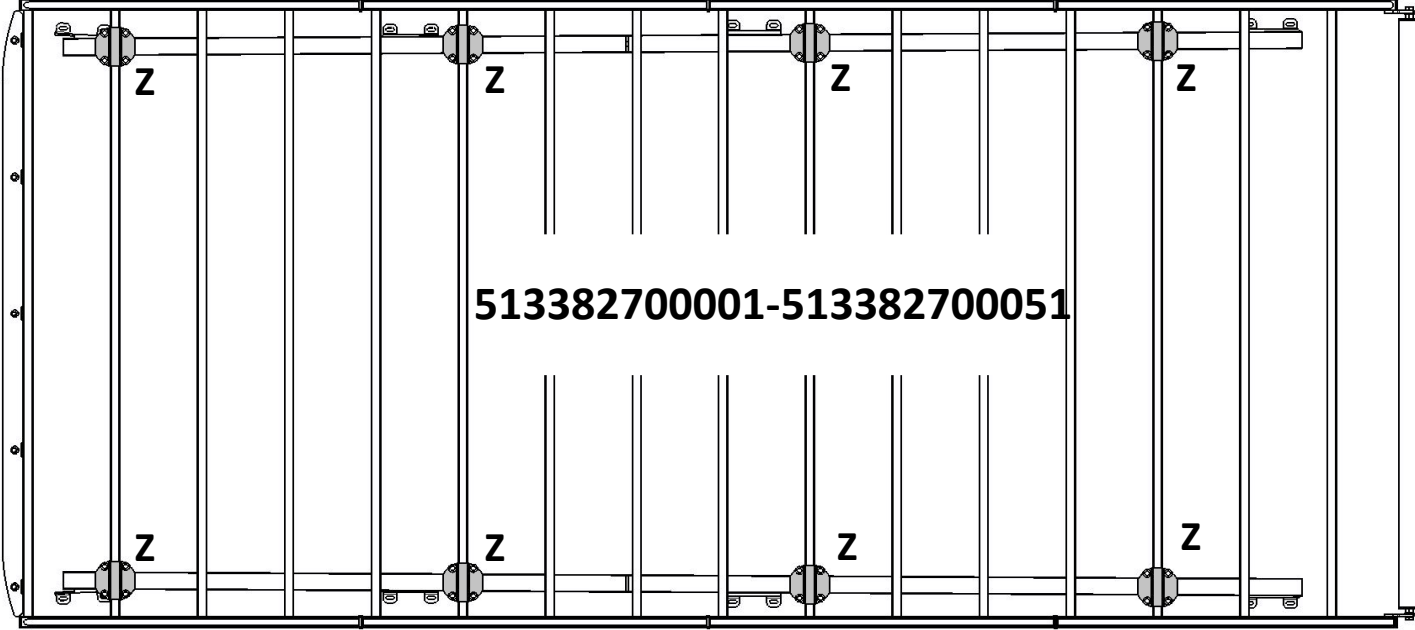
Z



513175700001-513175700051

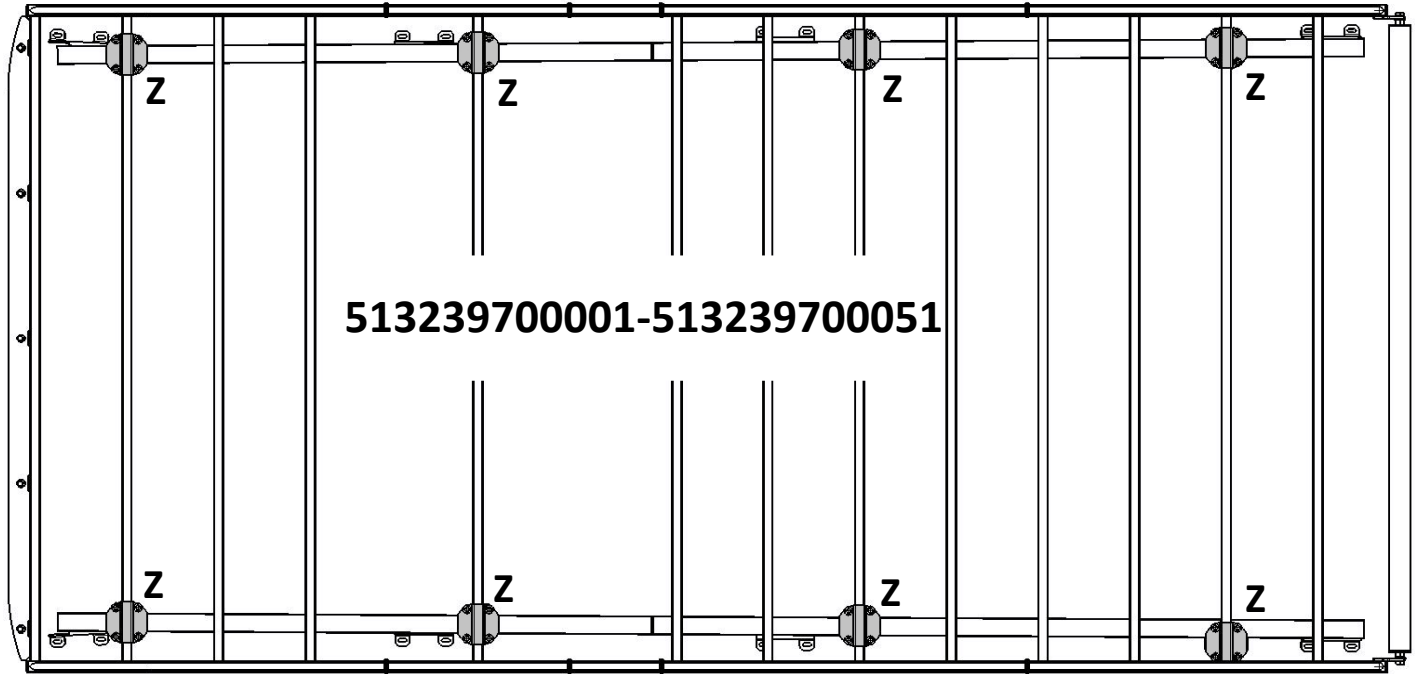


513240700001-513240700051



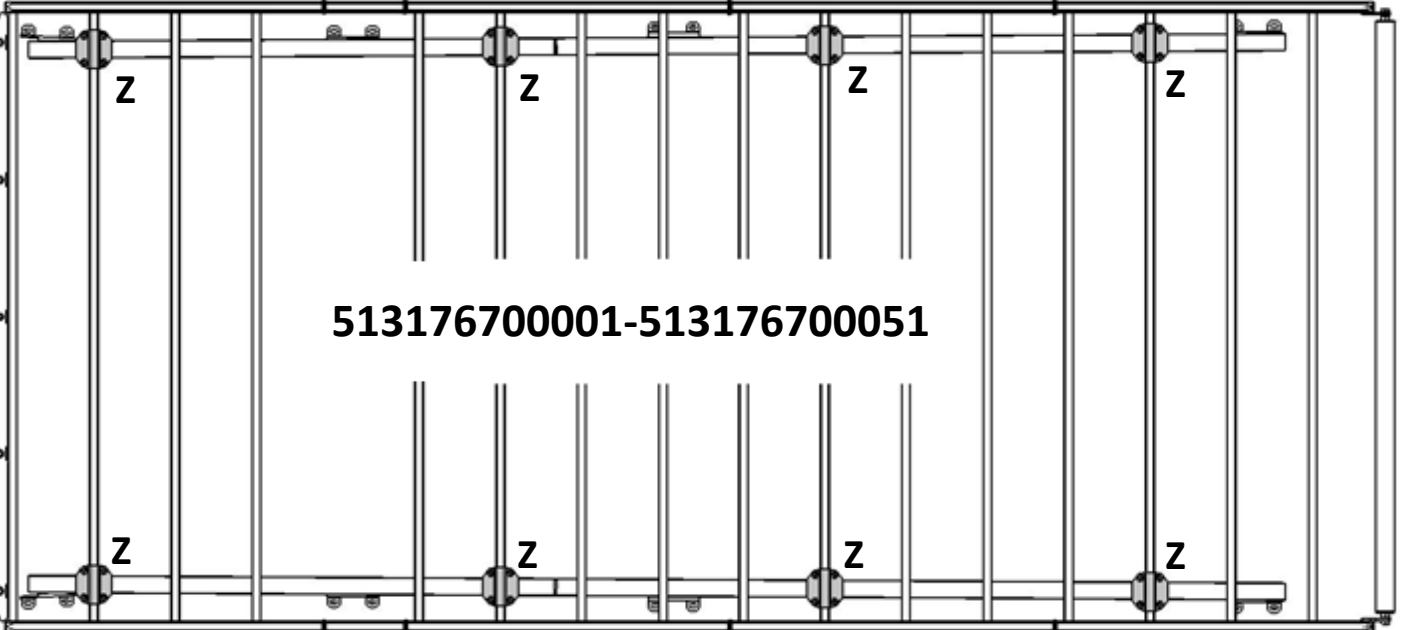
51338270001-51338270051

This technical drawing shows a rectangular frame with a grid of vertical and horizontal lines. Eight circular fasteners, each labeled with a 'Z', are positioned at the intersections of the grid lines: four along the top edge and four along the bottom edge. The frame has rounded corners on the left side.



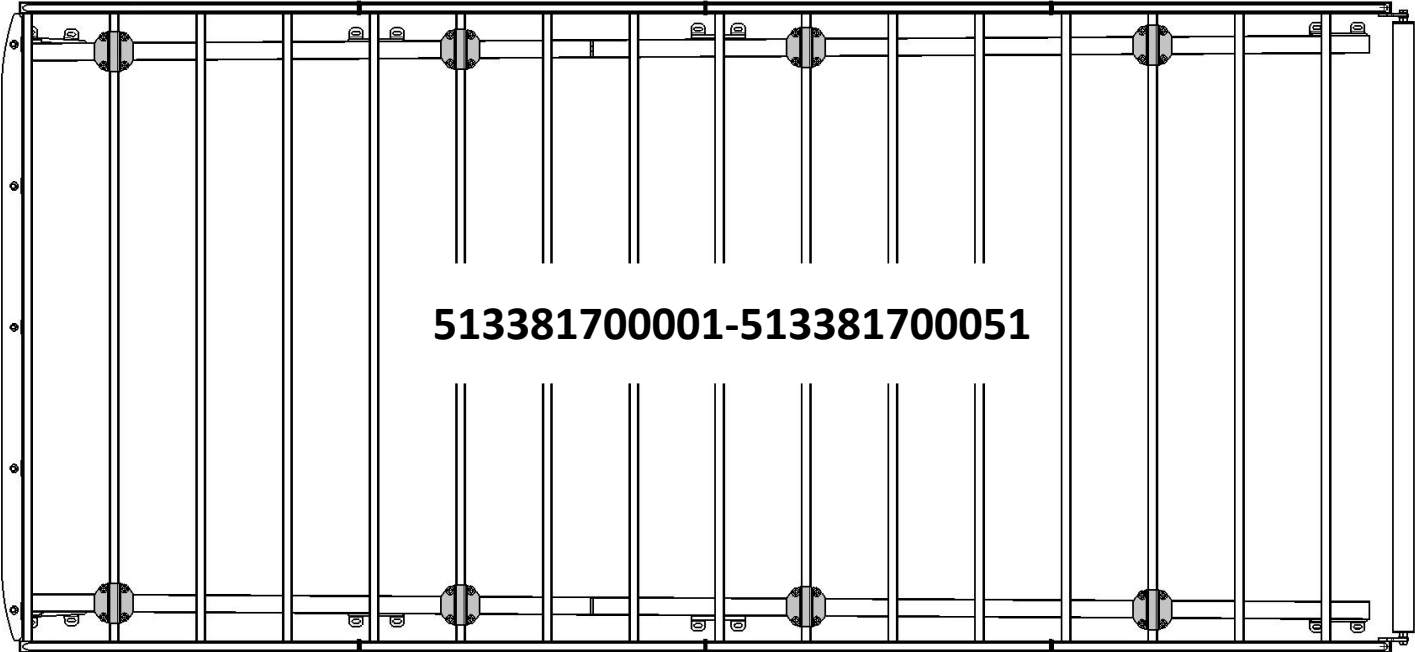
51323970001-51323970051

This technical drawing shows a rectangular frame with a grid of vertical and horizontal lines. Eight circular fasteners, each labeled with a 'Z', are positioned at the intersections of the grid lines: four along the top edge and four along the bottom edge. The frame has rounded corners on the left side.



51317670001-51317670051

This technical drawing shows a rectangular frame with a grid of vertical and horizontal lines. Eight circular fasteners, each labeled with a 'Z', are positioned at the intersections of the grid lines: four along the top edge and four along the bottom edge. The frame has rounded corners on the left side.



51338170001-51338170051